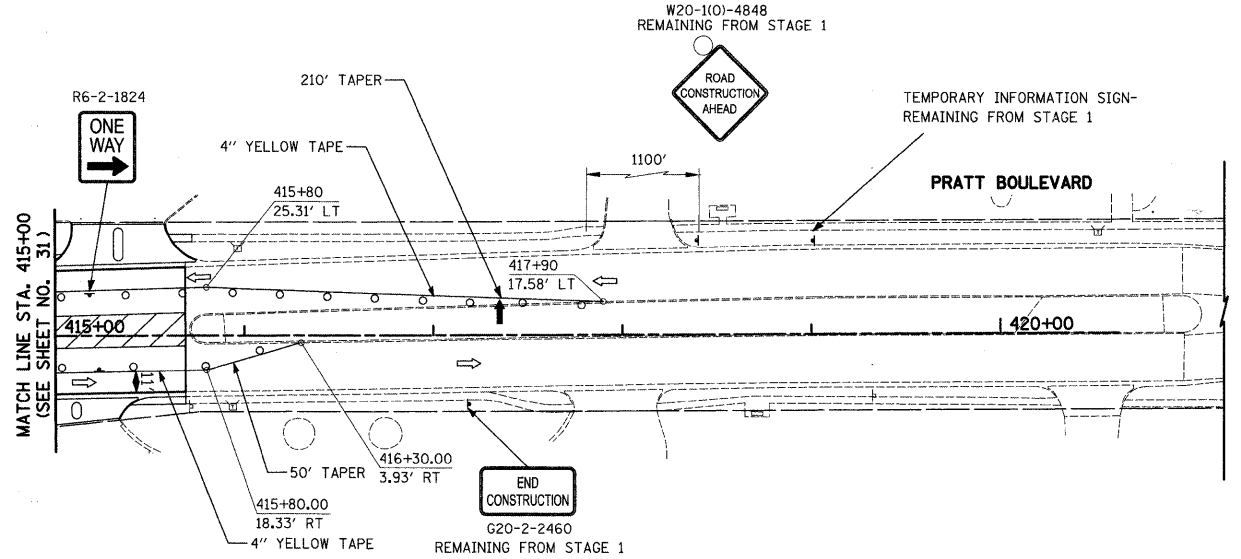
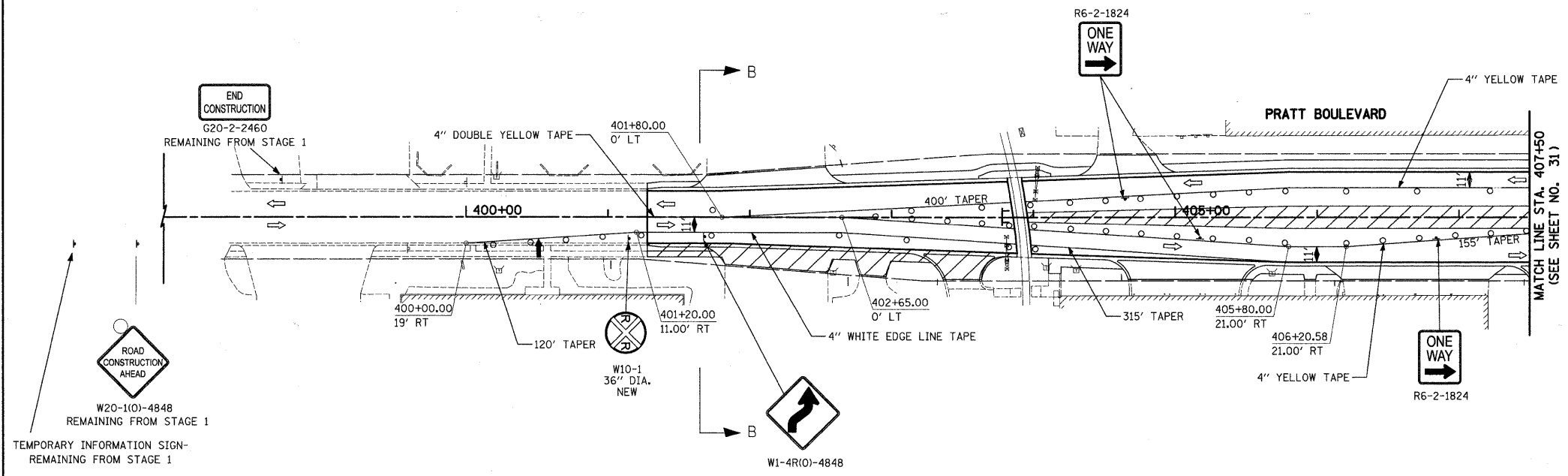


DATE	
BY	
REVISIONS	
NO.	
DESCRIPTION	
DATE	
BY	
PLANNING	
DESIGN	
CONSTRUCTION	
OPERATION	
MAINTENANCE	

DATE	
BY	
REVISIONS	
NO.	
DESCRIPTION	
DATE	
BY	
PROFILE	
DESIGN	
CONSTRUCTION	
OPERATION	
MAINTENANCE	



LEGEND

- TYPE II DRUM
- ⇨ DIRECTION OF TRAFFIC
- ⊞ TEMPORARY TRAFFIC SIGN ON PERMANENT SUPPORT
- ⊥ TYPE III BARRICADE
- ➔ ARROW BOARD
- ▨ WORK ZONE
- ▩ TEMPORARY PAVEMENT

NOTES

1. ALL TAPE PAVEMENT MARKINGS SHALL BE PAID FOR AS "WET TEMPORARY PAVEMENT MARKING TAPE, TYPE III".
 2. ADDITIONAL SIGNS WILL BE REQUIRED FOR LANE CLOSURES WHICH ARE NOT SHOWN ON THE PLANS BUT WILL BE REQUIRED AS PER I.D.O.T. STANDARD 701701.
- * SEE SHEET NO. 80 FOR SIGN DETAILS.

FILE NAME = ...\\oad\sheet\2363_M01_03_02.dgn

USER NAME = krk
 PLOT SCALE = 50.0000' / IN.
 PLOT DATE = 10/22/2010

DESIGNED - BLG
 DRAWN - BLG
 CHECKED - DJK
 DATE - 10-22-10

REVISED -
 REVISED -
 REVISED -
 REVISED -

**STATE OF ILLINOIS
 DEPARTMENT OF TRANSPORTATION**

**IL ROUTE 83 (BUSSE ROAD) AND PRATT BOULEVARD
 MAINTENANCE OF TRAFFIC - STAGE 3**

SCALE: 1" = 50' SHEET NO. 2 OF 2 SHEETS

F.A.P. RTE.	SECTION	COUNTY	TOTAL SHEETS	SHEET NO.
334	09-00057-00-CH	COOK	103	32
CONTRACT NO. 63523				

FED. ROAD DIST. NO. 1 ILLINOIS FED. AID PROJECT M-90036601

