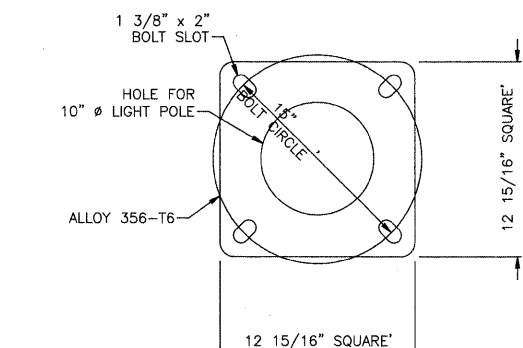


LITHONIA LUMINAIRE



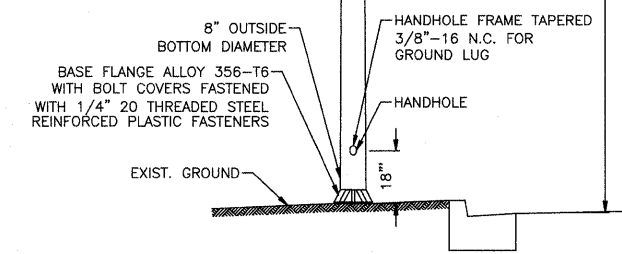
LITHONIA DAVIT ARM POLE BASE PLATE DETAIL
(FOR REFERENCE ONLY)

- NOTES:
1. MOUNTING HEIGHT IS DEFINED AS THE DISTANCE FROM THE CENTERLINE OF THE TENON TO THE BOTTOM OF THE ANCHOR BASE.
 2. BOLT SLOTS WILL BE 1 3/8" x 2" CENTERED.
 3. TWO PIECE SHAFT WILL BE MATCH MARKED AND INTERCHANGEABLE BETWEEN DIFFERENT UNITS. STUD BOLT WILL BE 5/8" DIA. WITH NUT, FLAT WASHER, AND LOCK WASHER. THERE WILL BE NO THREADS ON THE BOLT INSIDE THE POLE SHAFT.
 4. THE LIGHT POLE SHALL MEET A.A.S.H.T.O. DESIGN CRITERIA.

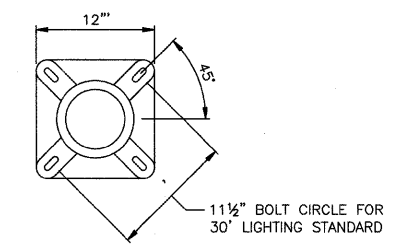
30 FT. LIGHT STANDARD

LUMINAIRE:
KIM LIGHTING - AR3 MODEL
250 WATT, H.P.S., M-C-II, 240V,
30 FT. M.H., 8 IN. SUPPORT ARM,
DARK BRONZE-POWDER COAT FINISH

POLE:
ROUND TAPERED ALUMINUM,
KIM-LIGHTING-LTRA30-8188
DARK BRONZE-POWDER COAT FINISH,
11-1/2" BOLT CIRCLE,
OR APPROVED EQUAL



KIM LIGHTING UNIT DETAIL
(FOR REFERENCE ONLY)



KIM LIGHTING UNIT
ANCHOR BASE DETAIL
(FOR REFERENCE ONLY)

FILE NAME = ...sheet\2363.Light.detail.2.dgn	USER NAME = jet	DESIGNED - SJC	REVISED -	STATE OF ILLINOIS DEPARTMENT OF TRANSPORTATION	IL ROUTE 83 (BUSSE ROAD) @ PRATT BOULEVARD LIGHTING DETAILS	F.A.P. RTE. 344	SECTION 09-00057-00-CH	COUNTY COOK	TOTAL SHEETS 103	SHEET NO. 69	
PLOT SCALE = 1,0000 / IN.	CHECKED - DNM	REVISED -				CONTRACT NO. 63523					
PLOT DATE = 10/21/2010	DATE - 10-22-10	REVISED -				SHEET NO. 2 OF 2 SHEETS					
						FED. ROAD DIST. NO. 1 ILLINOIS FED. AID PROJECT M-90036601					