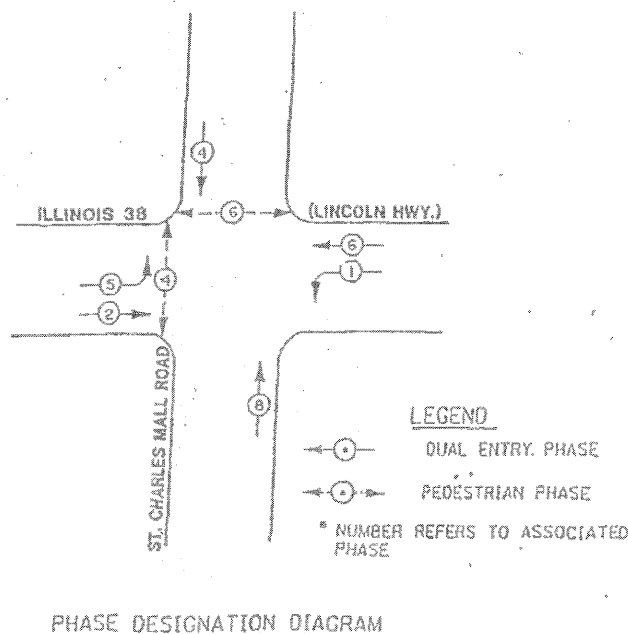


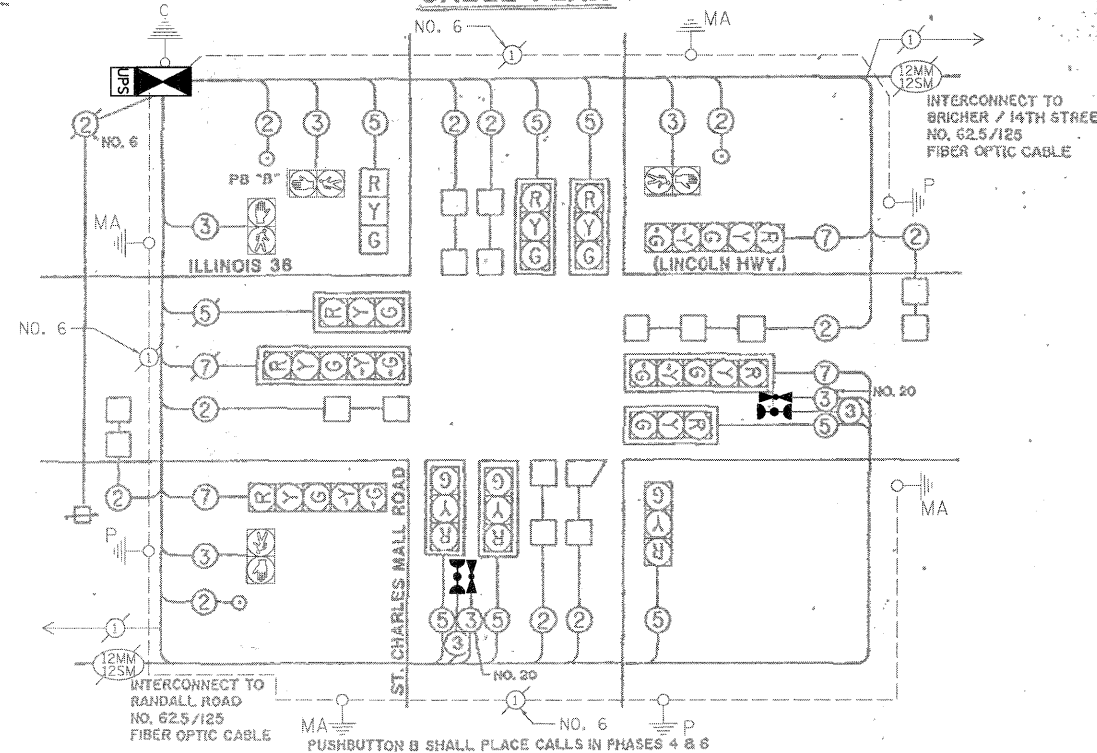
ROUTE	SECTION	COUNTY	TOTAL SHEETS	SHEET NO.
347	L-WRS-1	KANE	104	105
STA.		TO STA.		
111.845+00		111.845+00		

CONTROLLER SEQUENCE



PHASE DESIGNATION DIAGRAM

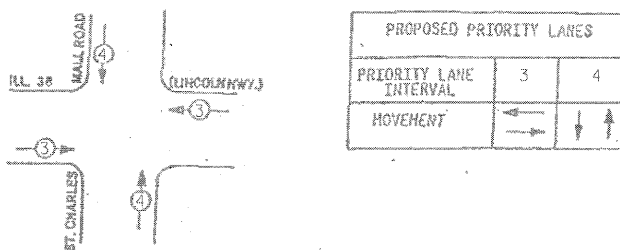
CABLE PLAN



CABLE PLAN LEGEND

- 8" TRAFFIC SIGNAL SECTION
- 12" TRAFFIC SIGNAL SECTION
- 12" PEDESTRIAN SIGNAL SECTION
- CONTROLLER CABINET
- SERVICE INSTALLATION
- VEHICLE DETECTOR, INDUCTION LOOP
- PUSHBUTTON DETECTOR
- INDICATES NUMBER OF CONDUCTORS (IND). ALL LOOP DETECTOR CABLE TO BE SHIELDED. ALL CABLE NO. 14 EXCEPT AS INDICATED.
- INDICATES EXISTING CABLE
- SIGNAL FACE WITH BACKPLATE: "P" INDICATES PROGRAMMED, "L" INDICATES LOWERED
- EXISTING SIGNAL SECTION
- MAGNETIC DETECTOR
- LIGHT DETECTOR
- CONFIRMATION BEACON

EMERGENCY VEHICLE PREEMPTION SEQUENCE NOTES



CONSTRUCTION NOTES:

- REMOVE EXISTING CONTROLLER AND CABINET. INSTALL NEW CONTROLLER AND TYPE IV CABINET ON EXISTING FOUNDATION.
- REMOVE EXISTING EMERGENCY VEHICLE LIGHT DETECTOR, CONFIRMATION BEACON AND LIGHT DETECTOR AMPLIFIER. INSTALL NEW EMERGENCY VEHICLE LIGHT DETECTOR, CONFIRMATION BEACON AND LIGHT DETECTOR AMPLIFIER.
- ADD NEW UNINTERRUPTIBLE POWER SUPPLY.
- INSTALL NEW 50"x67" PAD FOR UNINTERRUPTIBLE POWER SUPPLY

SCHEDULE OF QUANTITIES

ITEM	UNIT	TOTAL
PORTLAND CEMENT CONCRETE SIDEWALK 5 INCH	SQ FT	24
MAINTENANCE OF EXISTING TRAFFIC SIGNAL INSTALLATION	EACH	1
FULL-ACTUATED CONTROLLER AND TYPE IV CABINET, SPECIAL	EACH	1
INDUCTIVE LOOP DETECTOR	EACH	8
LIGHT DETECTOR	EACH	2
LIGHT DETECTOR AMPLIFIER	EACH	1
REMOVE EXISTING TRAFFIC SIGNAL EQUIPMENT	EACH	1
UNINTERRUPTIBLE POWER SUPPLY	EACH	1
TERMINATE FIBER IN CABINET	EACH	6
SPLICE FIBER IN CABINET	EACH	6
UPS BATTERY BACK-UP CABINET	EACH	1
ETHERNET MANAGED SWITCH, TYPE 1	EACH	1

I.D.O.T. TRAFFIC SIGNAL INSTALLATION ELECTRICAL SERVICE REQUIREMENTS

TYPE	NO. OF LAMPS	WATTAGE X INCAND.	LED	% OPERATION	TOTAL WATTAGE
SIGNAL (RED)	12		17	0.50	102.00
(YELLOW)	12		25	0.25	75.00
(GREEN)	12		15	0.25	45.00
ARROW	8		12	0.10	9.60
PED. SIGNAL	4		25	1.00	100.00
CONTROLLER	1		100	1.00	100.00
ILLUM. SIGN	-		25	0.05	-
VIDEO SYSTEM	-		-	1.00	-
BATTERY BACKUP SYSTEM	1		-	-	-
FLASHER	-		-	0.50	-
TOTAL =					431.60

CITY OF ST. CHARLES
 2 E. MAIN STREET
 ST CHARLES, IL 60174
 ENERGY SUPPLY: CONTACT: CITY OF ST. CHARLES
 PHONE: (630) 377-4400
 COMPANY: CITY OF ST. CHARLES

REVISIONS

NAME	DATE

DEPARTMENT OF TRANSPORTATION
 CONTROLLER SEQUENCE IV
 EMERGENCY VEHICLE PREEMPTION SEQUENCE
 CABLE PLAN
 SCHEDULE OF QUANTITIES
 IL 38 & ST. CHARLES MALL ROAD
 DRAWN BY CJS
 CHECKED BY RAC
 DATE 3/1/94

DATE: _____ BY: _____
 CHECKED: _____
 DATE: _____ BY: _____
 CHECKED: _____

CHRISTOPHER B. BURKE ENGINEERING LTD.
 9575 West Higgins Road, Suite 600
 Rosemont, Illinois 60018
 (847) 823-0500

DATE: _____ BY: _____
 CHECKED: _____
 DATE: _____ BY: _____
 CHECKED: _____

STATE OF ILLINOIS
 DEPARTMENT OF TRANSPORTATION

SCHEDULE OF QUANTITIES, CABLE PLAN, PHASE DESIGNATION DIAGRAM
 AND EMERGENCY VEHICLE PREEMPTION SEQUENCE
 IL ROUTE 38 AND ST. CHARLES MALL ROAD

F.A.P. R.T.E.	SECTION	COUNTY	TOTAL SHEETS	SHEET NO.
336	09-00237-02-TL	KANE	100	49
CONTRACT NO. 63525				

SCALE: SHEET NO. OF SHEETS STA. -- TO STA. -- ILLINOIS FED. AID PROJECT

FILE NAME =	USER NAME = FPAICONE	DESIGNED - ABR	REVISED -
N:\kane\county\080673\Traffic\049_CAB_IL38-S1	Charles.mell.dgn	DRAWN - FCP	REVISED -
		CHECKED - MJT	REVISED -
		DATE - AUGUST 31, 2010	REVISED -