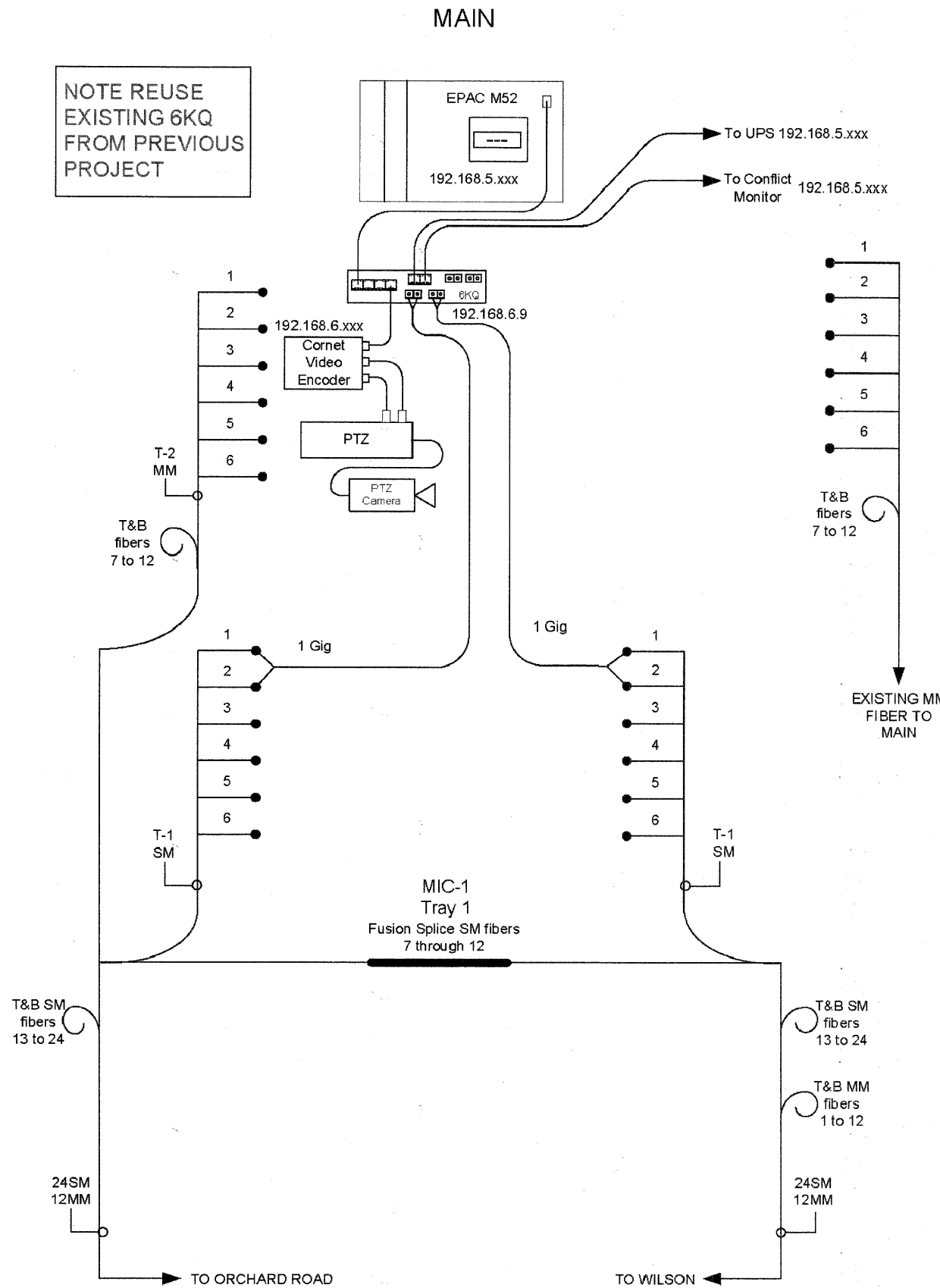


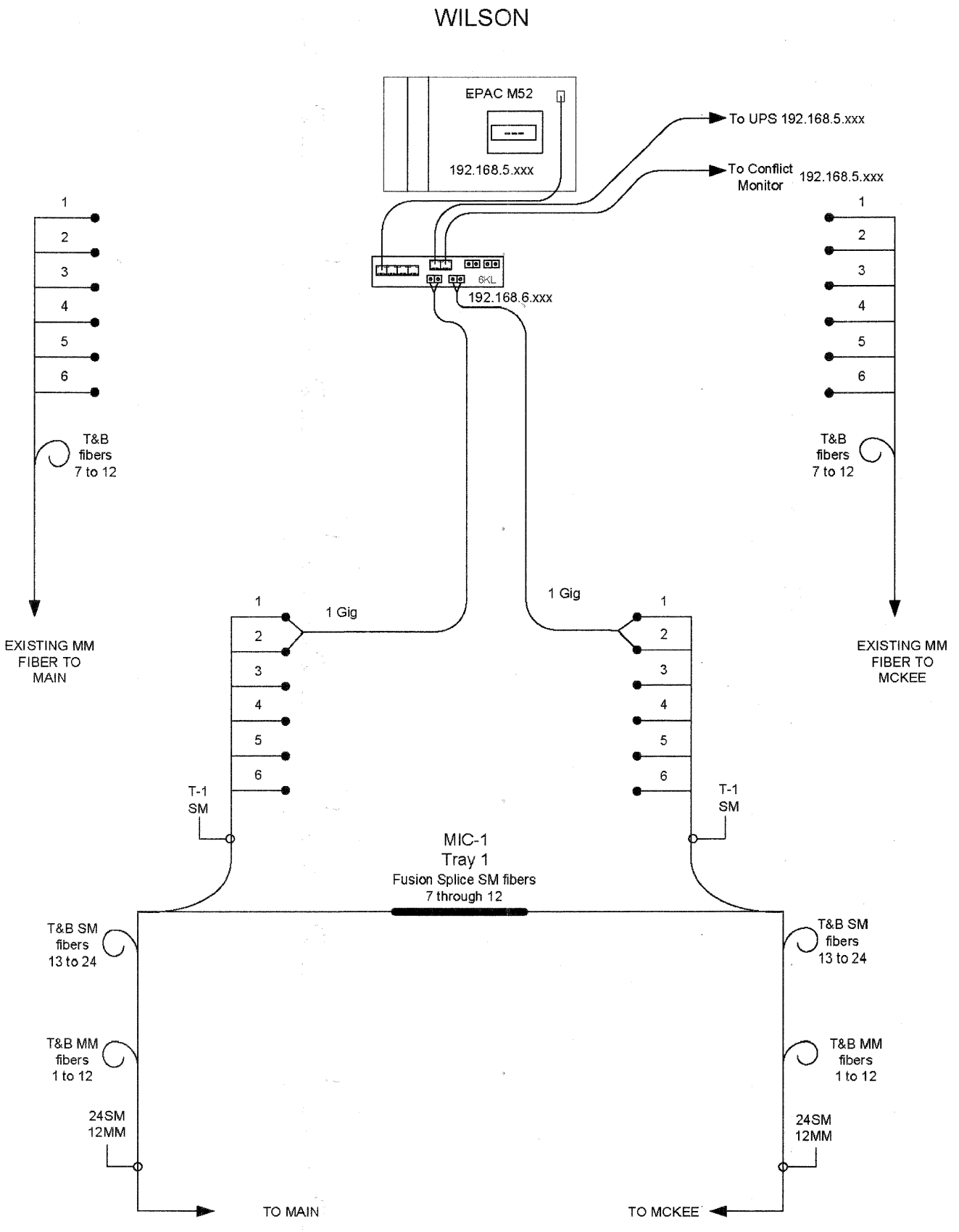
PROFILE	DATE
DESIGNED	
DRAWN	
CHECKED	
BY	
PLAN	DATE
DESIGNED	
DRAWN	
CHECKED	
BY	

CHRISTOPHER B. BURKE ENGINEERING LTD.
 9575 West Higgins Road, Suite 600
 Rosemont, Illinois 60018
 (847) 823-0500

NOTE REUSE EXISTING 6KQ FROM PREVIOUS PROJECT



1



2