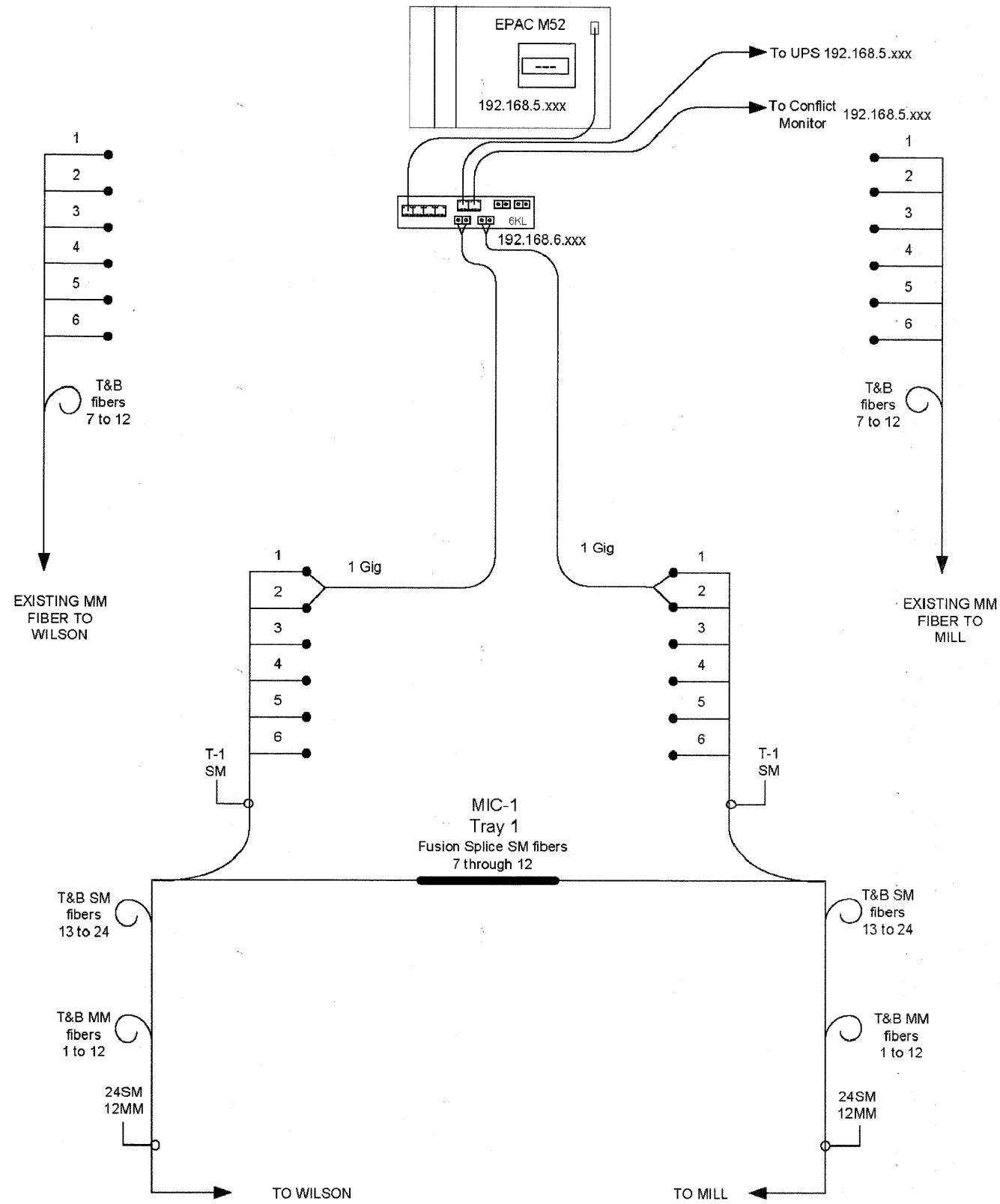


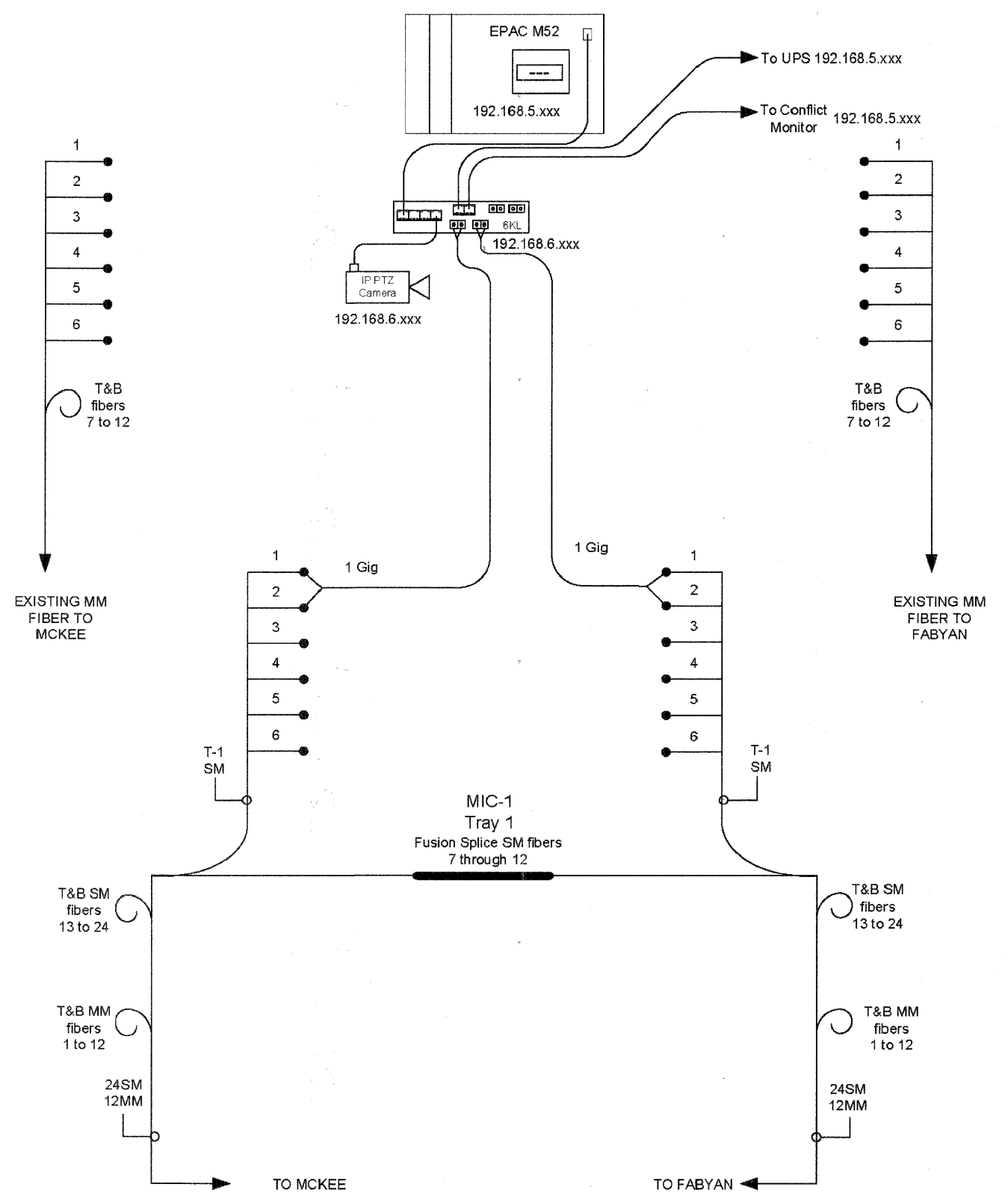
DATE: _____ BY: _____
 SURVEYED: _____ PLOTTED: _____
 ALIGNMENT CHECKED: _____
 NOTE BOOK NO.: _____
 CADD FILE NAME: _____
 PROFILE: SURVEYED: _____ PLOTTED: _____
 NOTE BOOK NO.: _____
 STRUCTURE NOTATIONS CHKD: _____
CHRISTOPHER B. BURKE ENGINEERING LTD.
 9575 West Higgins Road, Suite 600
 Rosemont, Illinois 60018
 (847) 823-0500

MCKEE

MILL



3



4

FILE NAME = N:\kanecounty\2826731\Traffic\080_DET_02_Fiber Splice Diagram	USER NAME = FPACONE	DESIGNED - ABR	REVISED -	STATE OF ILLINOIS DEPARTMENT OF TRANSPORTATION	FIBER SPlicing DIAGRAM MCKEE - MILL STREET			F.A.P. RTE. 336	SECTION 09-00237-02-TL	COUNTY KANE	TOTAL SHEETS 100	SHEET NO. 80
	PLOT SCALE = NOT TO SCALE	DRAWN - FCP	REVISED -		SCALE:	SHEET NO. OF SHEETS	STA. -- TO STA. --	CONTRACT NO. 63525				
	PLOT DATE = 11/3/2010	CHECKED - MJT	REVISED -		ILLINOIS FED. AID PROJECT							
		DATE - AUGUST 31, 2010	REVISED -									