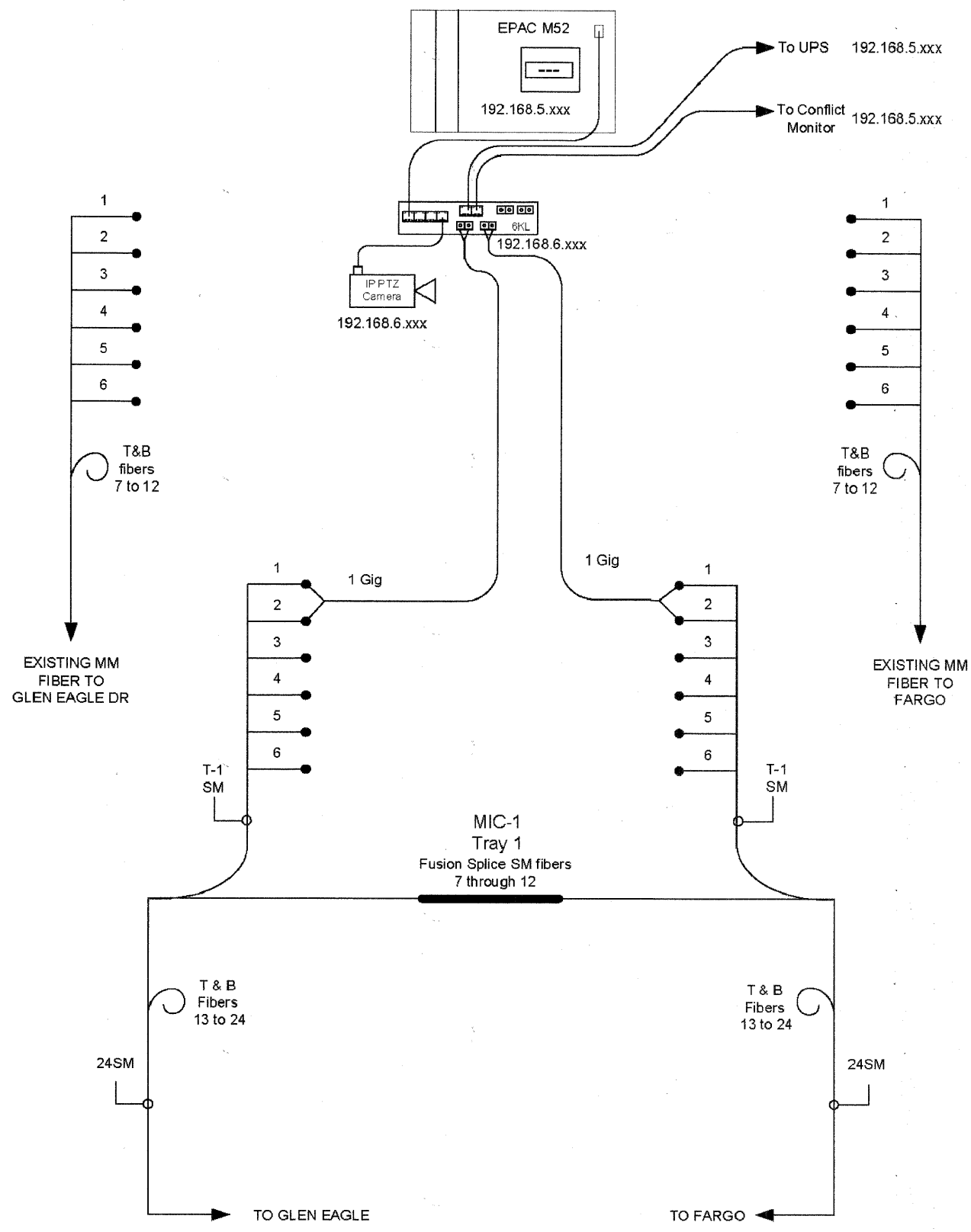
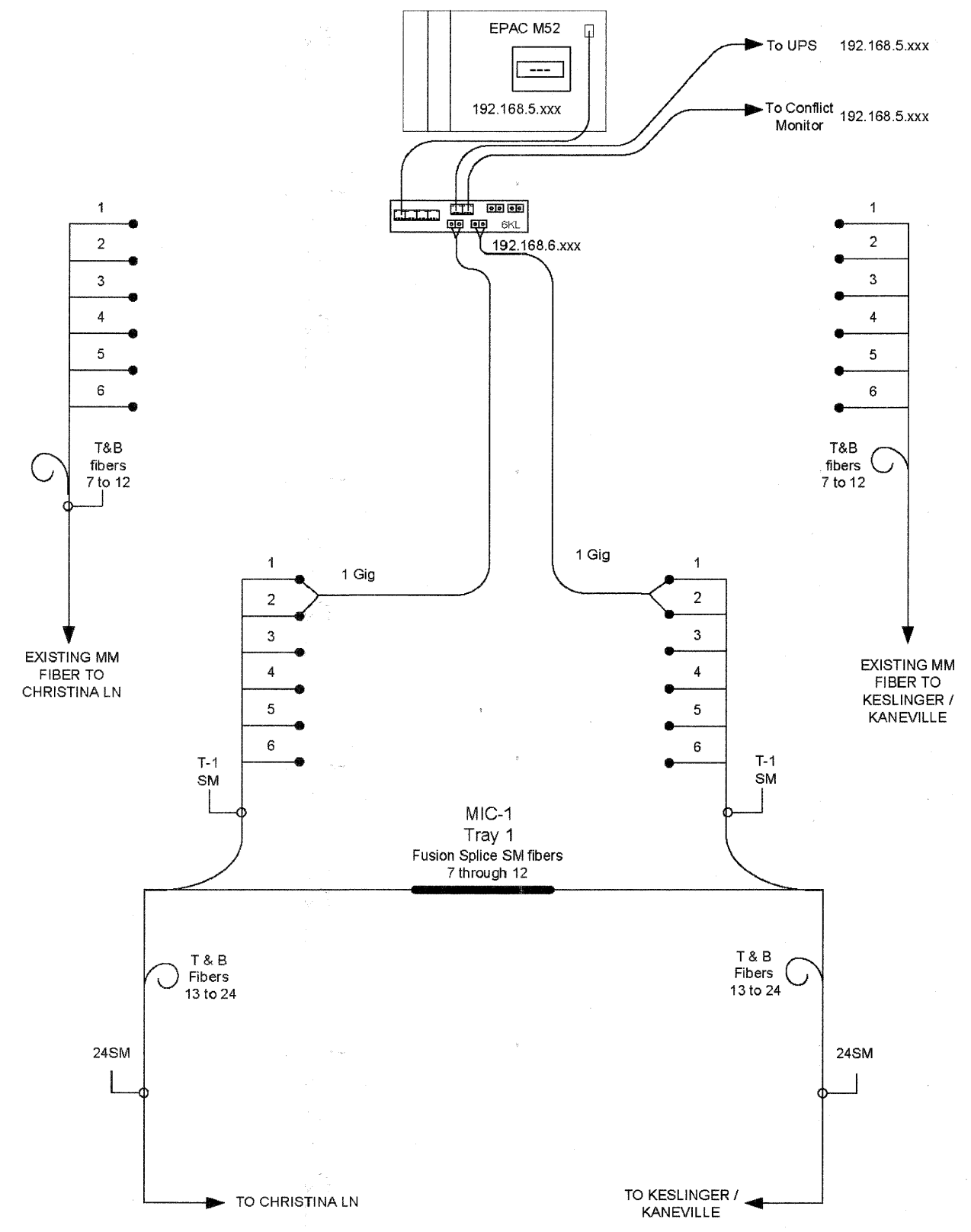


SURVEYED _____ DATE _____
 PLOTTED _____ BY _____
 ALIGNMENT CHECKED _____
 ROAD FILE NO. _____
 ROAD FILE NAME _____
 PLAN
 NOTE BOOK NO. _____
 NO. _____
CHRISTOPHER B. BURKE ENGINEERING LTD.
 9575 West Higgins Road, Suite 600
 Rosemont, Illinois 60018
 (847) 823-0500
 PROFILE
 SURVEYED _____ DATE _____
 PLOTTED _____ BY _____
 CHECKED _____
 ROAD FILE NO. _____
 STRUCTURE NO. / ATNS / CRK# _____

CHRISTINA LN



FARGO



FILE NAME = N:\kanecounty\1806731\Traffic\082.DET.04 Fiber	USER NAME = FPACONE Spic Dwg.dgn	DESIGNED - ABR	REVISED -	STATE OF ILLINOIS DEPARTMENT OF TRANSPORTATION	FIBER SPlicing DIAGRAM CHRISTINA - FARGO	F.A.P. RTE. 336	SECTION 09-00237-02-TL	COUNTY KANE	TOTAL SHEETS 100	SHEET NO. 82		
PLOT SCALE = NOT TO SCALE	CHECKED - MJT	REVISED -	SCALE:			SHEET NO. OF SHEETS	STA. -- TO STA. --	ILLINOIS FED. AID PROJECT				
PLOT DATE = 11/3/2010	DATE - AUGUST 31, 2010	REVISED -	CONTRACT NO. 63525									