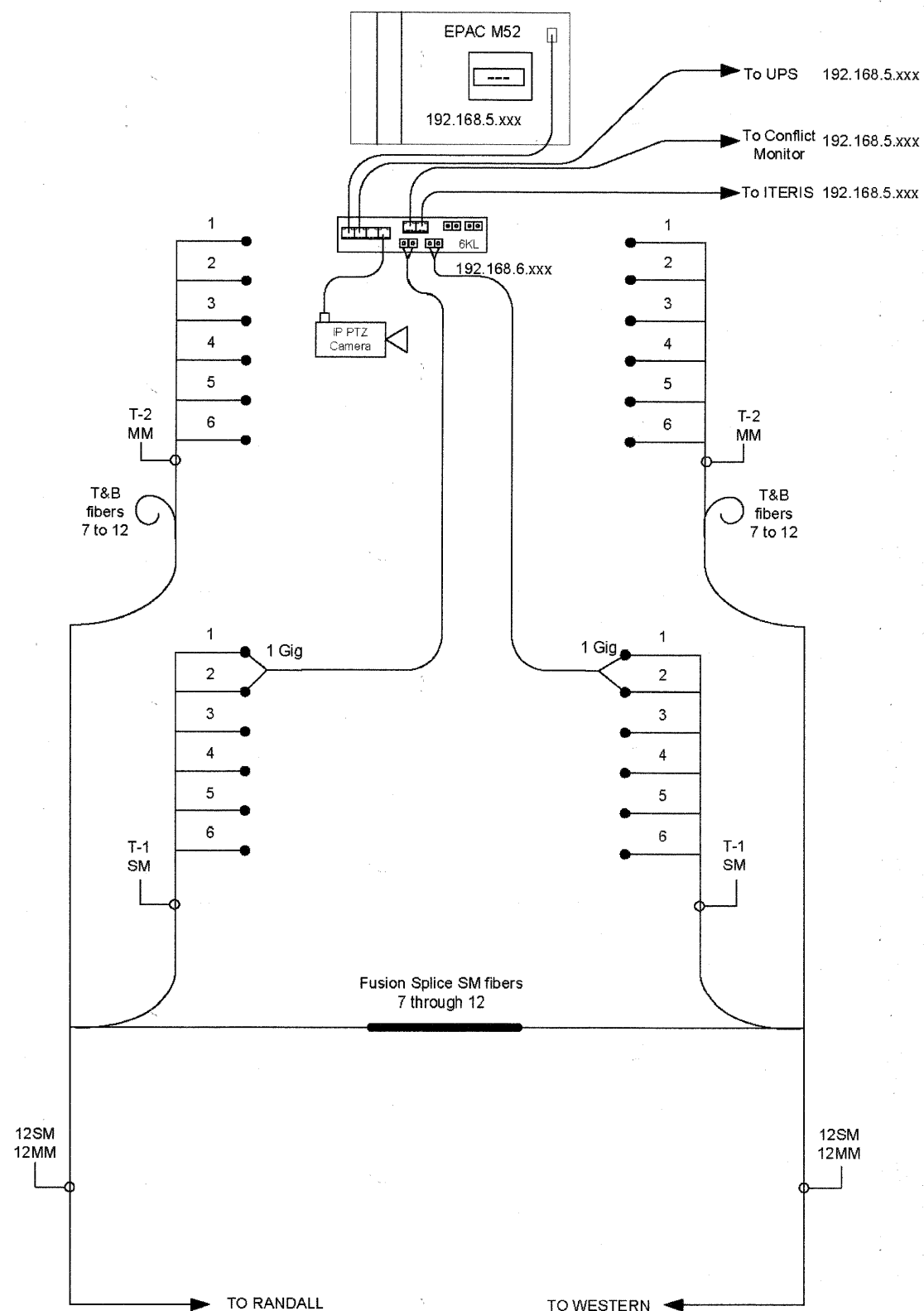
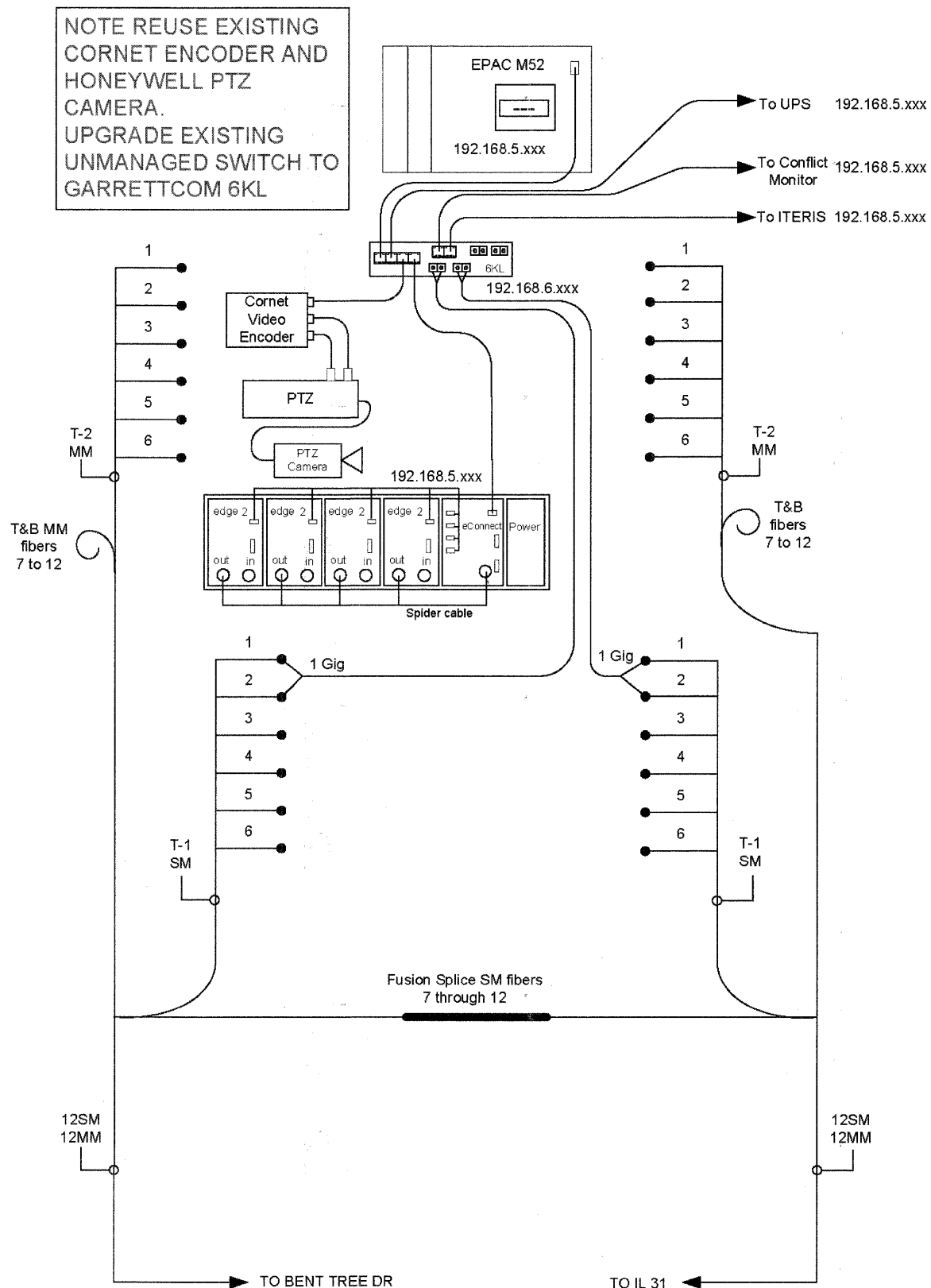


BENT TREE DR



WESTERN AVE



DATE	BY	SURVEYED	PLANNED	DATE	BY
PLAN	NO.	NO.	NO.	DATE	BY
CHRISTOPHER B. BURKE ENGINEERING LTD. 9575 West Higgins Road, Suite 600 Rosemont, Illinois 60018 (847) 823-0500					
PROFILE	NO.	NO.	NO.	DATE	BY
SURVEYED PLOTTED CHECKED DATE BY					

FILE NAME =	USER NAME = FPACIONE	DESIGNED - ABR	REVISED -
N:\kane\county\880673\Traffic\889_DET.IT\Fiber	Splice Diagram.dgn	DRAWN - FCP	REVISED -
		CHECKED - MJT	REVISED -
		DATE - AUGUST 31, 2010	REVISED -

STATE OF ILLINOIS
DEPARTMENT OF TRANSPORTATION

FIBER SPLICING DIAGRAM			
BENT TREE DR - WESTERN AVE			
SCALE:	SHEET NO.	OF SHEETS	STA. -- TO STA. --

F.A.P. RTE. 336	SECTION 09-00237-02-TL	COUNTY KANE	TOTAL SHEETS 100	SHEET NO. 89
CONTRACT NO. 63525				
ILLINOIS FED. AID PROJECT				