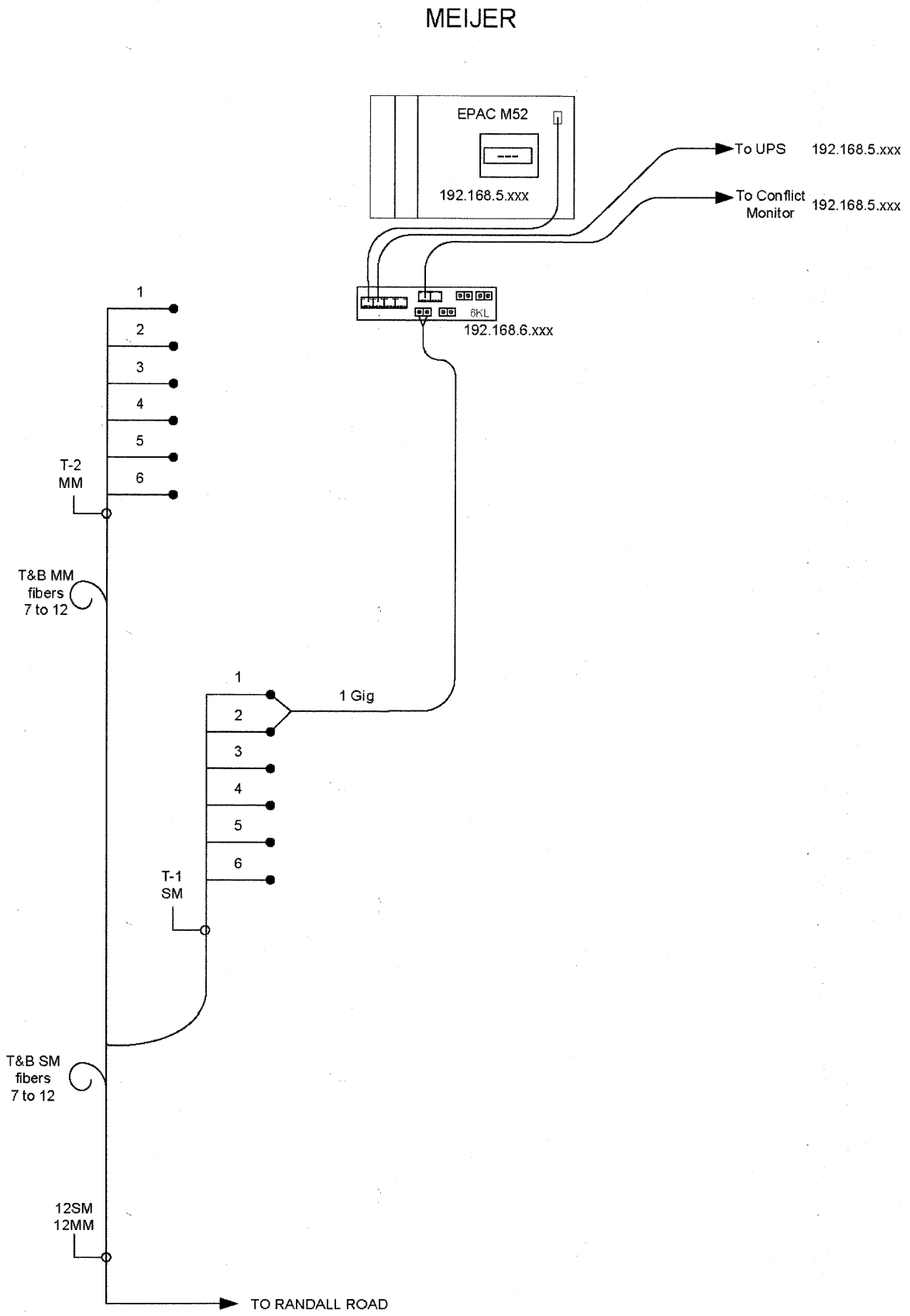


DATE	BY	DATE	BY
DATE	BY	DATE	BY

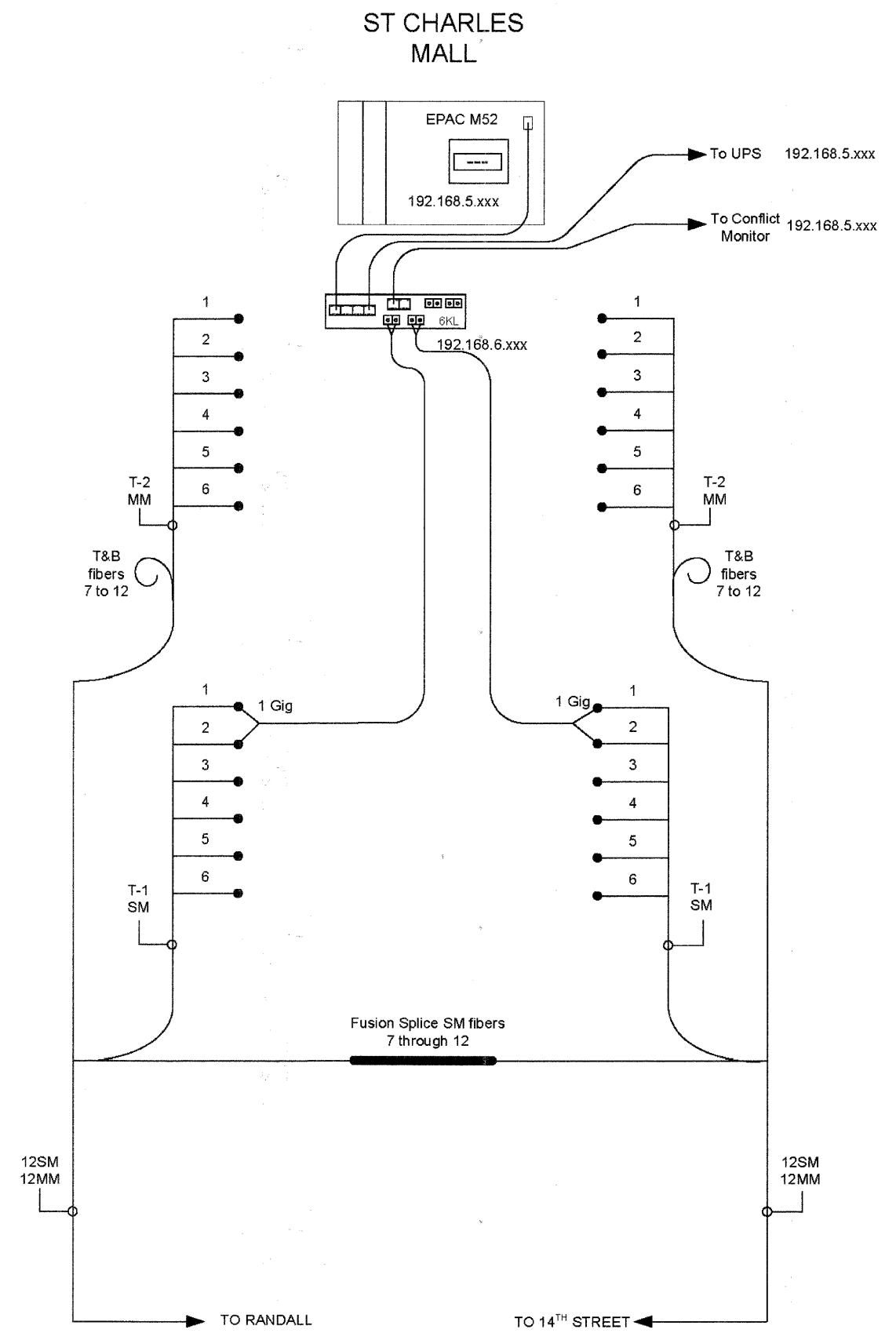
PROFILE SURVEYED PLOTTED CHECKED
 NOTE BOOK NO. DATE
 STRUCTURE NOTATIONS CHRD

PLAN SURVEYED PLOTTED CHECKED
 NOTE BOOK NO. DATE
 CADD FILE NAME

CHRISTOPHER B. BURKE ENGINEERING LTD.
 9575 West Higgins Road, Suite 600
 Rosemont, Illinois 60018
 (847) 823-0500



23



24

FILE NAME =	USER NAME = FPACIONE	DESIGNED - ABR	REVISED -	STATE OF ILLINOIS DEPARTMENT OF TRANSPORTATION	FIBER SPLICING DIAGRAM MEIJER - ST. CHARLES MALL	F.A.P. RTE. 336	SECTION 09-00237-02-TL	COUNTY KANE	TOTAL SHEETS 100	SHEET NO. 90	
N:\kanecounty\080673\Traffic\090_DET.12 Fiber Splic	Splic Diag.dgn	DRAWN - FCP	REVISED -			CONTRACT NO. 63525					
	PLOT SCALE = NOT TO SCALE	CHECKED - MJT	REVISED -			ILLINOIS FED. AID PROJECT					
	PLOT DATE = 11/3/2010	DATE - AUGUST 31, 2010	REVISED -			SCALE: SHEET NO. OF SHEETS STA. -- TO STA. --					