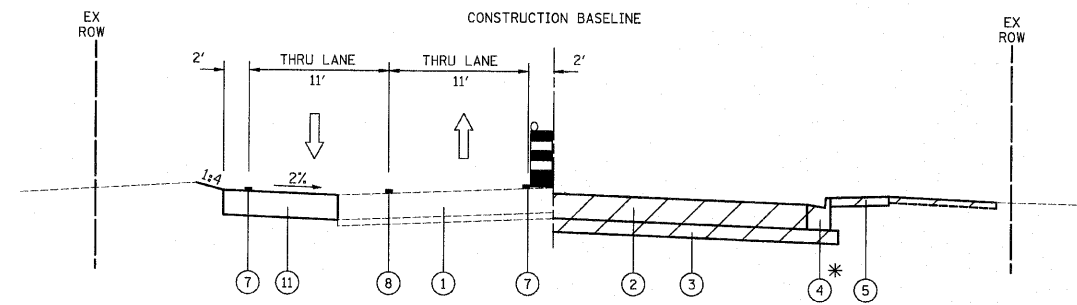
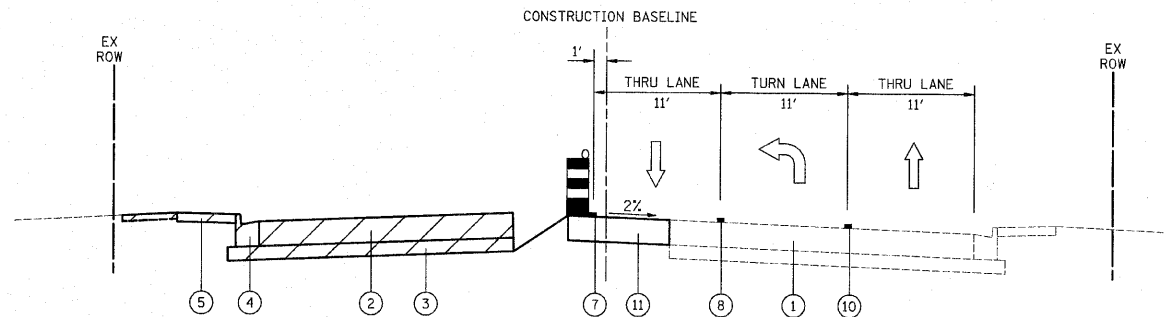


**STAGE 1 TYPICAL SECTION
GREENLEAF AVENUE
SECTION A-A**

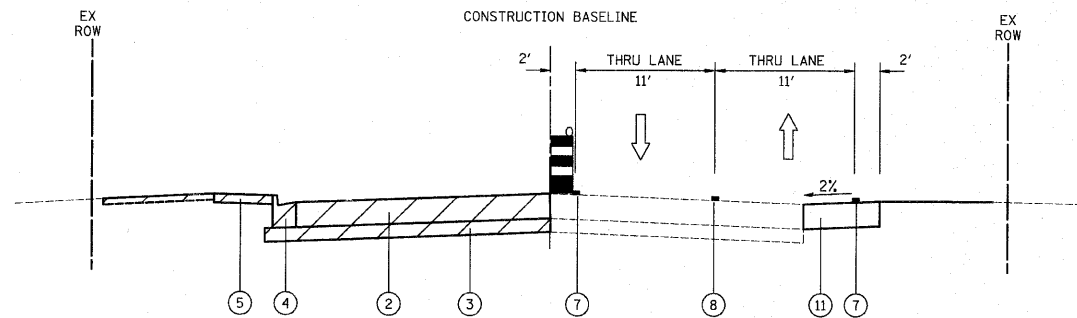


**STAGE 1 TYPICAL SECTION
GREENLEAF AVENUE
SECTION B-B**

* SEE MOT PLAN VIEW FOR LIMITS OF CURB AND GUTTER TO BE CONSTRUCTED DURING STAGE 1



**STAGE 2 TYPICAL SECTION
GREENLEAF AVENUE
SECTION A-A**



**STAGE 2 TYPICAL SECTION
GREENLEAF AVENUE
SECTION B-B**

LEGEND

- ① EXISTING PAVEMENT
- ② PROPOSED PCC PAVEMENT
- ③ PROPOSED SUB-BASE GRANULAR MATERIAL
- ④ PROPOSED COMB. CONC. CURB AND GUTTER
- ⑤ PROPOSED PCC SIDEWALK
- ⑥ PROPOSED CONCRETE MEDIAN
- ⑦ LINE 4" (WHITE EDGE LINE)
- ⑧ LINE 4" (DOUBLE YELLOW)
- ⑨ LINE 4" (WHITE- 10' DASH - 30' SKIP)
- ⑩ LINE 6" (WHITE LANE LINE, SOLID OR DOTTED)
- ⑪ TEMPORARY PAVEMENT
- ⑫ LINE 4" (YELLOW EDGE LINE)

CONSTRUCTION ZONE

TRAFFIC FLOW

DRUMS WITH MONO DIRECTIONAL STEADY BURN LIGHT

FILE NAME =
...road\sheet\2362_MOT_typ_01.dgn

USER NAME = djc
PLOT SCALE = 5/8" = 1' IN.
PLOT DATE = 10/21/2010

DESIGNED - BLG
DRAWN - BLG
CHECKED - DJK
DATE - 10-22-10

REVISED -
REVISED -
REVISED -
REVISED -

**STATE OF ILLINOIS
DEPARTMENT OF TRANSPORTATION**

**IL ROUTE 83 (BUSSE ROAD) AND GREENLEAF AVENUE
MAINTENANCE OF TRAFFIC TYPICAL SECTIONS**

SCALE: N.T.S. SHEET NO. 1 OF 2 SHEETS

F.A.P. RTE. 344	SECTION 09-00056-00-CH	COUNTY COOK	TOTAL SHEETS 111	SHEET NO. 25
CONTRACT NO. 63527				
<small>FED. ROAD DIST. NO. 1 [ILLINOIS] FED. AID PROJECT M-900366591</small>				