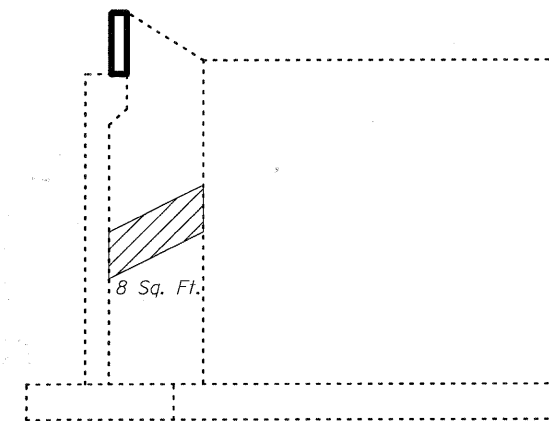


**North Abutment**  
Looking North



**Northeast Wingwall Elevation**

**Legend**

- Epoxy Crack Injection
- Structural Repair of Concrete (Depth Equal to or Less Than 5 inches)

**Notes:**

See sheet No. 12 of 15 for Reinforcement Bars details.

FILE NAME = 0493040-63531-011-N Abut.dgn	USER NAME = 320200907	DESIGNED - KO	REVISED -	<b>STATE OF ILLINOIS DEPARTMENT OF TRANSPORTATION</b>	<b>NORTH ABUTMENT DETAILS STRUCTURE NO. 049-3040 (NB)</b>	F.A.U. RTE. 2626	SECTION 05-00193-04-BR	COUNTY LAKE	TOTAL SHEETS 36	SHEET NO. 22
PLOT SCALE = 2.0000' / IN.	PLOT DATE = 10/25/2010	CHECKED - WPM	REVISED -	SHEET NO. 11 OF 15 SHEETS		CONTRACT NO. 63531		ILLINOIS FED. AID PROJECT		

