

TYPICAL APPLICATION OF TRAFFIC CONTROL DEVICES
for HIGHWAY CONSTRUCTION, CONTRACT MAINTENANCE
and UTILITY OPERATIONS

GENERAL NOTE:

This Standard is used where at anytime, day or night, any vehicle, equipment, workers or their activities encroach on the pavement requiring the closure of one or more traffic lanes in an urban area.

DESIGN NOTES:

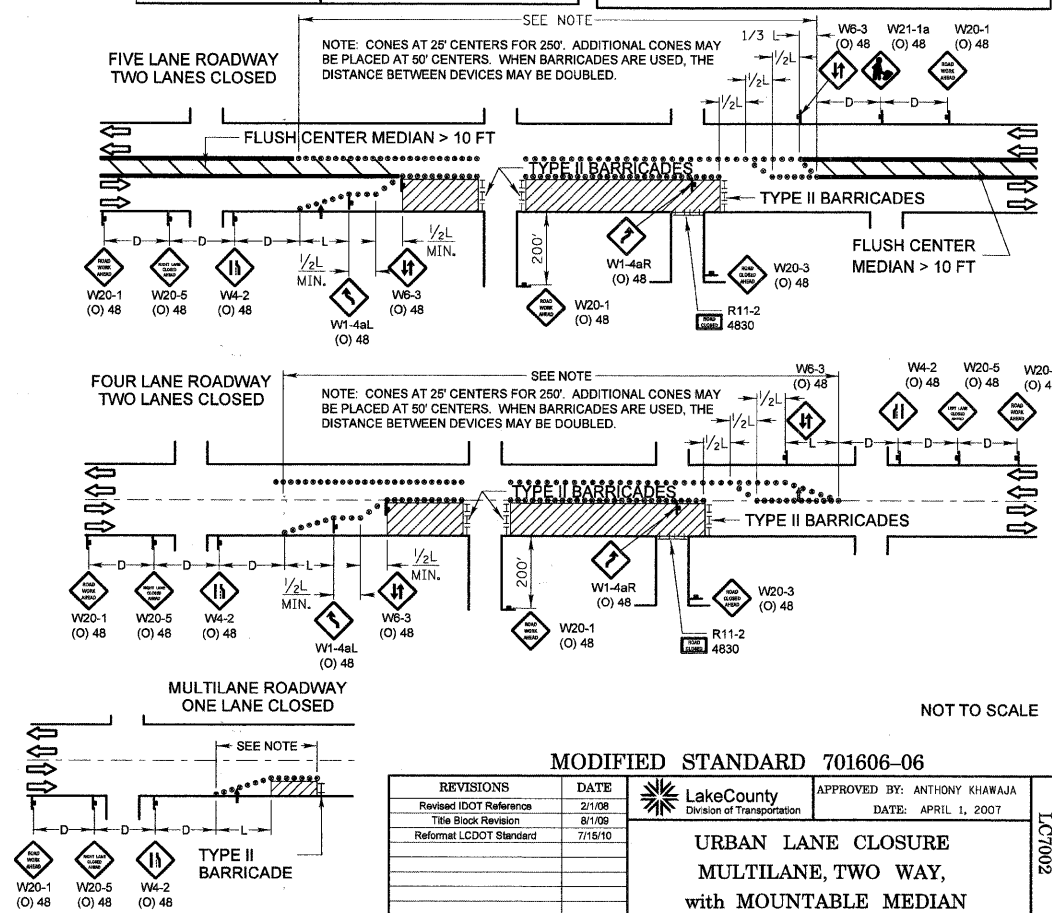
- All warning signs shall have minimum dimensions of 48" x 48".
- All signs not on the traveled way shall be post mounted if the closure time exceeds four calendar days. All signs shall be posted with the bottom of the sign not less than 7' above the edge of pavement. "NO PARKING" signs shall be installed throughout the work area at the discretion of the Engineer.
- The distance "L" shall be defined as:

SPEED	FORMULA
≤ 40 MPH	$L = (WS^2) / 60$
≥ 45 MPH	$L = LW \times S$

W = Width of Closure in FEET
S = Normal Posted Speed Limit in MPH
LW = Lane Width in FEET
- Type II barricades with Type C steady burning lights shall be used in lieu of cones for night operations. All cones and barricades shall be in accordance with IDOT Standard 701901.
- Type A flashing lights shall be used on each approach in advance of the work area during hours of darkness and installed above the first two signs in each series and the high level warning devices.
- If the work operation is performed between 9:00 am and 3:00 pm and the work does not exceed 15 minutes, the traffic protection shall be as shown for IDOT Standard 701301. Signs, when required, shall be at the spacing specified in the Advance Warning Sign Spacing Table.
- If the work area is in the parking lane and the parking exists during work hours, a "ROAD WORK AHEAD" sign shall be installed in advance of work area at the spacing specified in the Advance Warning Sign Spacing Table and the area protected with cones or barricades.
- Longitudinal dimensions may be adjusted to fit field conditions.
- Form BT 725 is required.

POSTED SPEED LIMIT	DISTANCE BETWEEN SIGNS "D"
40 MPH or less	200 FEET
45-50 MPH	350 FEET
55 MPH	500 FEET

	WORK AREA
	• CONE OR BARRICADE
	▬ SIGN ON PORTABLE OR PERMANENT SUPPORT
	← ARROW BOARD
	⊥ TYPE II BARRICADE
	⊥⊥ TYPE III BARRICADE



MODIFIED STANDARD 701606-06

REVISIONS	DATE
Revised IDOT Reference	2/1/08
Title Block Revision	8/1/09
Reformat LCDOT Standard	7/15/10

LakeCounty
Division of Transportation

APPROVED BY: ANTHONY KHAWAJA
DATE: APRIL 1, 2007

URBAN LANE CLOSURE
MULTILANE, TWO WAY,
with MOUNTABLE MEDIAN

LC7002

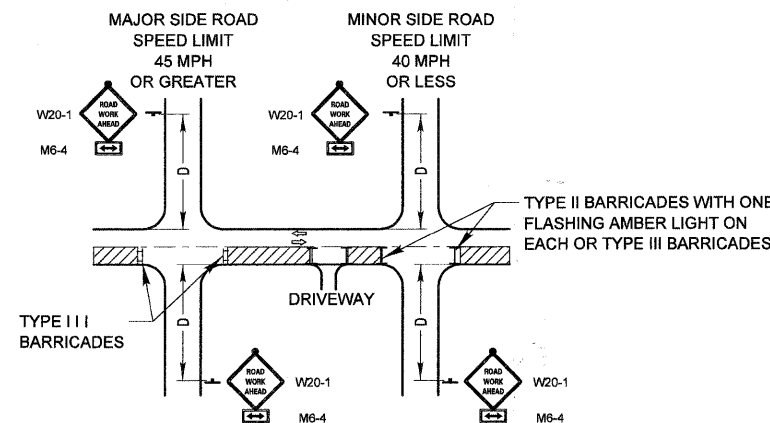
TYPICAL APPLICATION OF TRAFFIC CONTROL DEVICES
for HIGHWAY CONSTRUCTION, CONTRACT MAINTENANCE
and UTILITY OPERATIONS

GENERAL NOTE:

This Standard is used where at anytime, day or night, any vehicle, equipment, workers or their activities encroach on the pavement or where construction requires lane closures.

DESIGN NOTES:

- For a side road with a speed limit of 40 mph or less, the closed portion of the main route shall be protected by blocking with Type II or Type III barricades, 1/2 of the cross section of the closed portion of the roadway.
- For a side road with a speed limit of 45 mph or greater, the closed portion of the main route shall be protected by blocking with Type III barricades, 1/2 of the cross section of the closed portion of the roadway.
- All W20-1 "ROADWORK AHEAD" signs shall be 48" x 48" with fluorescent orange reflective sheeting with an amber Type A flashing light mounted on the sign.
- When the side road lies between the beginning of the mainline signing and the work zone, an M6-1 Single Headed Arrow shall be used in lieu of the M6-4 Double Headed Arrow.
- For a lane closure on a side road or driveway, use the applicable portions of the appropriate Highway Standard or Traffic Control Detail. The spacing of the signs and barricades shall be adjusted for field conditions as directed by the engineer. The directional arrow shall be covered or removed when no longer consistent with the side road lane closure.
- Advance warning signs shall be omitted on driveways unless otherwise noted.
- The traffic control and protection for side roads and intersections shall be included in the contract unit lump sum price for "TRAFFIC CONTROL AND PROTECTION."



	WORK AREA
	▬ SIGN ON PORTABLE OR PERMANENT SUPPORT
	⊥ TYPE II BARRICADE WITH TYPE A FLASHING LIGHT
	⊥⊥ TYPE III BARRICADE

POSTED SPEED LIMIT	DISTANCE BETWEEN SIGNS "D"
40 MPH or less	200 FEET
45-50 MPH	350 FEET
55 MPH	500 FEET

MODIFIED IDOT DISTRICT ONE
SIDE ROAD DETAIL

REVISIONS	DATE
Title Block Revision	8/1/09
Reformat LCDOT Standard	7/15/10

LakeCounty
Division of Transportation

APPROVED BY: ANTHONY KHAWAJA
DATE: APRIL 1, 2007

TRAFFIC CONTROL and PROTECTION
for SIDEROADS, INTERSECTIONS
and DRIVEWAYS

LC7004