

# EXISTING HORIZONTAL & VERTICAL CONTROL

Mississippi River



Chain I74 contains:  
 1129 CUR 370 CUR 380 CUR 1200 CUR 1210 CUR 1220 CUR 1240 CUR 1270 CUR 1300 CUR-  
 300 CUR 310 CUR 320 CUR 330 CUR 340 CUR 350 CUR 360 CUR 1260 903342

Beginning chain I74 description

Point 1129 N 1,764,364.6932 E 2,202,081.3645 Sta 33+54.00

Course from 1129 to PC 370 142° 19' 14.07" Dist 890.4689'

Curve Data

Curve 370

P.I. Station 49+28.54 N 1,763,118.5344 E 2,203,043.7908

Delta = 39° 24' 02.56" (RT)

Degree = 2° 59' 56.38"

Tangent = 684.0711'

Length = 1,313.7971'

Radius = 1,910.4993'

External = 118.7767'

Long Chord = 1,288.0628'

Mid. Ord. = 111.8245'

P.C. Station 42+44.47 N 1,763,659.9378 E 2,202,625.6572

P.T. Station 55+58.27 N 1,762,434.7720 E 2,203,023.2430

C.C. N 1,762,492.1588 E 2,201,113.6058

Course from PT 370 to PC 380 181° 43' 16.63" Dist 899.4728'

Curve Data

Curve 380

P.I. Station 68+45.23 N 1,761,148.3897 E 2,202,984.5857

Delta = 19° 12' 59.18" (LT)

Degree = 2° 30' 11.20"

Tangent = 387.4901'

Length = 767.7020'

Radius = 2,288.9819'

External = 32.5664'

Long Chord = 764.1089'

Mid. Ord. = 32.1096'

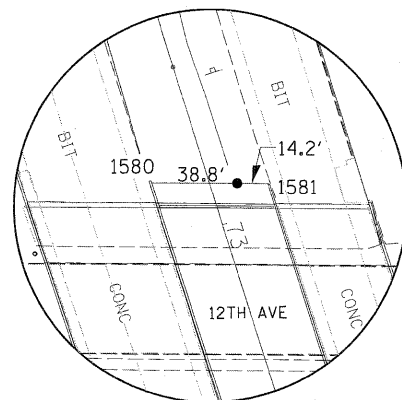
P.C. Station 64+57.74 N 1,761,535.7050 E 2,202,996.2250

P.T. Station 72+25.45 N 1,760,778.8240 E 2,203,101.0750

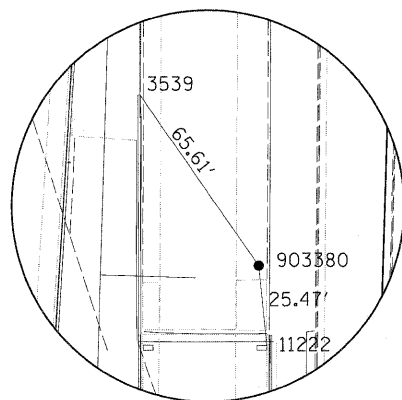
C.C. N 1,761,466.9495 E 2,205,284.1740

Course from PT 380 to PC 1200 162° 30' 17.44" Dist 613.2203'

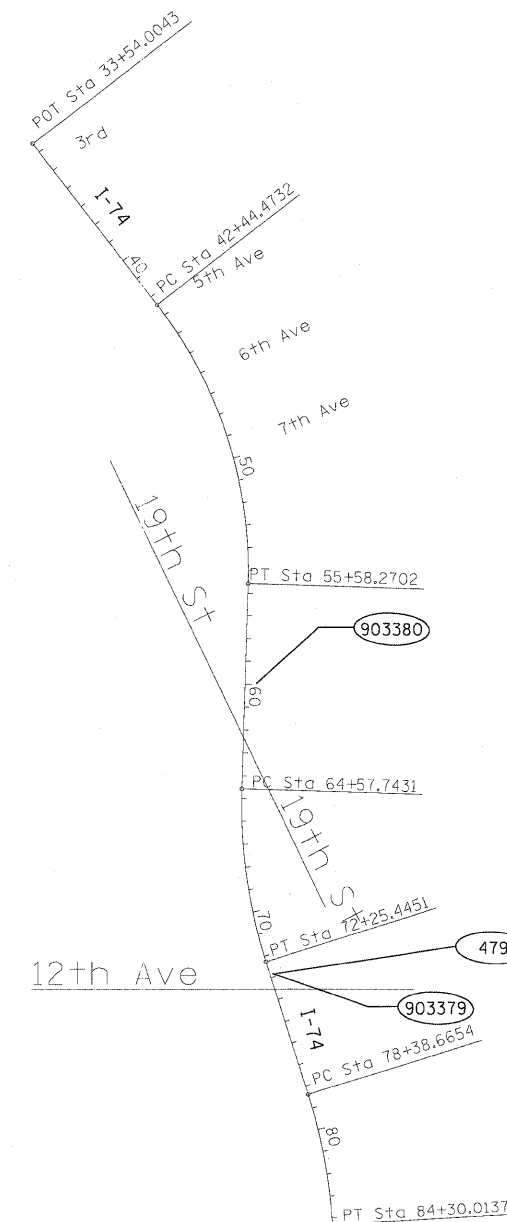
Ending chain I74 description



HORIZONTAL CONTROL  
POINT No. 903379



HORIZONTAL CONTROL  
POINT No. 903380



## HORIZONTAL CONTROL POINTS

POINT	NORTH	EAST	ELEVATION	CHAIN	STATION	OFFSET	DESCRIPTION
903379	1760726.2700	2203130.1410	677.4930	I74	72+84.31	11.9224' LT	GPS CONTROL POINT, PIN
903380	1761996.1550	2203059.8780	632.8140	I74	59+95.59	49.7935' LT	GPS CONTROL POINT, PK NAIL

## REFERENCE TIES

POINT	CHAIN	STATION	OFFSET	DESCRIPTION
1580	I74	72+72.45	24.9904' RT	WALL, CHISELED "X"
1581	I74	72+88.18	24.8755' LT	WALL, CORNER
3539	I74	59+42.83	10.8000' LT	WALL
11222	I74	60+20.84	53.0826' LT	DROP INLET PERIMETER

## CURVE POINT NUMBERS

CHAIN	CURVE	PI	CC	PC	PT
I74	370	370	371	372	373
I74	380	380	381	382	383

## BENCH MARKS

POINT	NORTH	EAST	ELEVATION	CHAIN	STATION	OFFSET	DESCRIPTION
479	1760726.1190	2203144.3440	679.9450	I74	72+88.72	25.423' LT	WALL, CROSS CUT

ALN-1