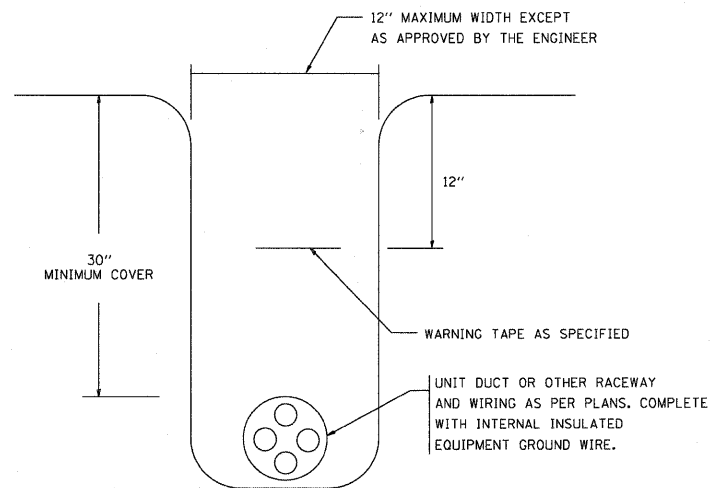


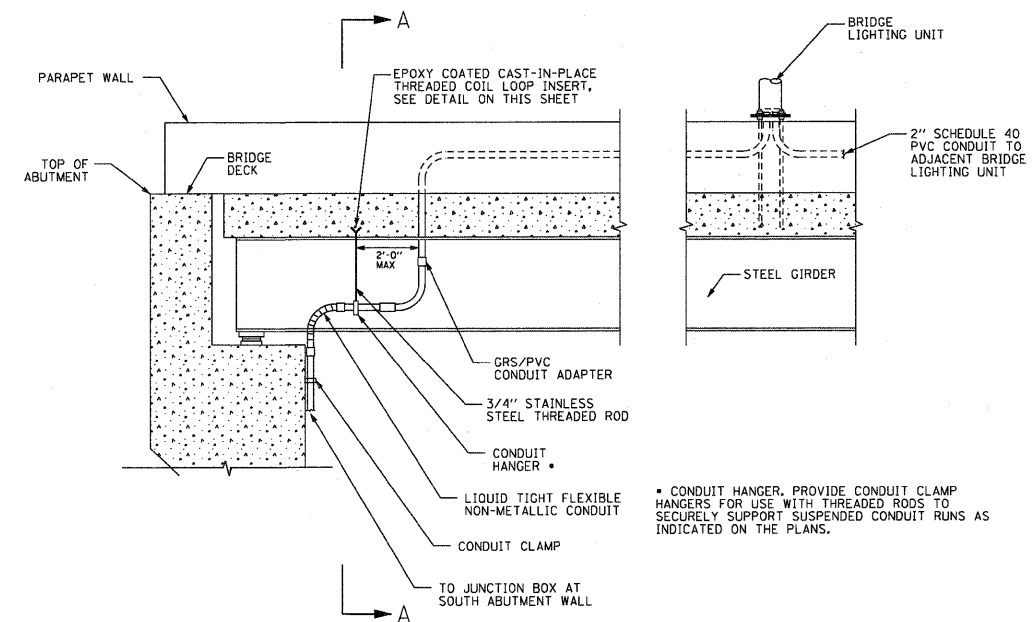
TYPICAL SPLICE DETAIL

N.T.S.

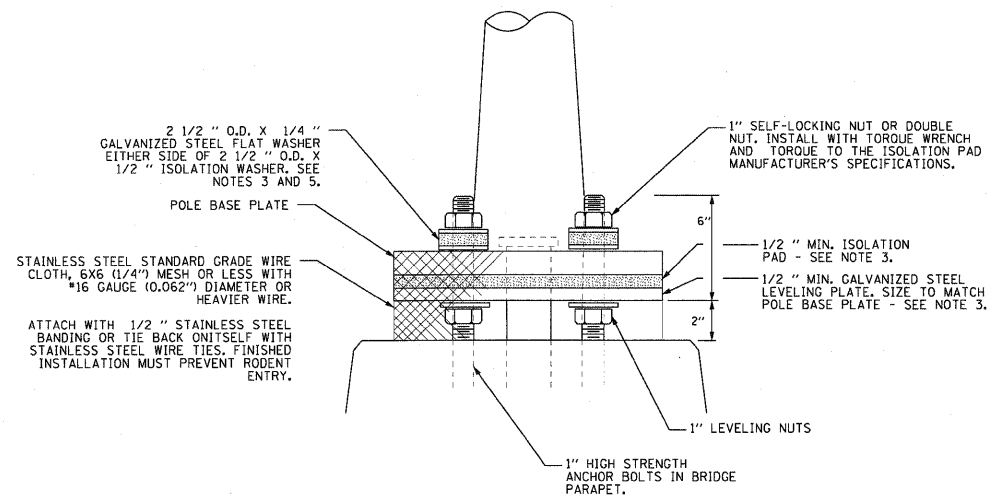


TYPICAL WIRING IN TRENCH DETAIL

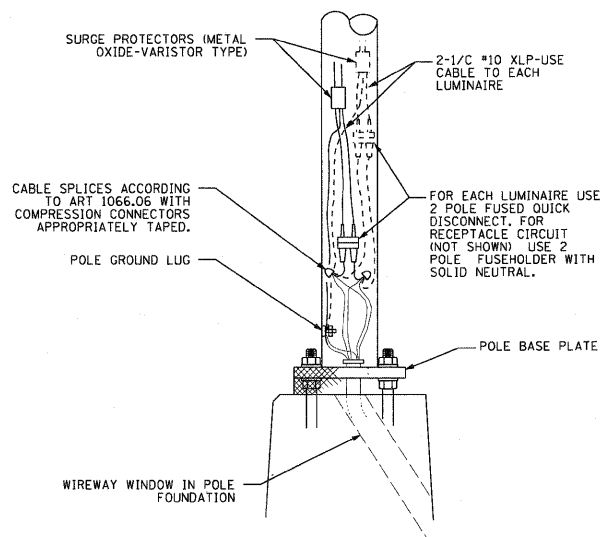
N.T.S.



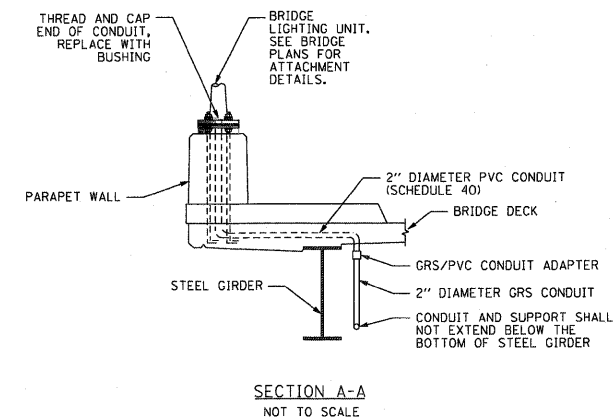
CONDUIT INSTALLATION AT THE END OF DECK
NOT TO SCALE



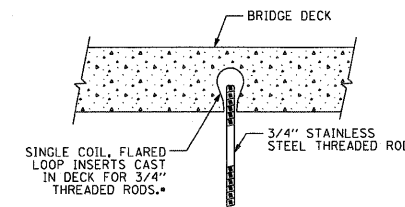
POLE MOUNTED ON BRIDGE PARAPET DETAIL
NOT TO SCALE



POLE WIRING DETAIL
NOT TO SCALE



SECTION A-A
NOT TO SCALE



THE CONTRACTOR SHALL USE APPROVED SINGLE COIL FLARED LOOP INSERTS WHEN PENDANT MOUNTING TO A NEW BRIDGE DECK. THE FLARED LOOP INSERTS MUST BE CAST INTO THE CONCRETE DECK. THE CONTRACTOR IS RESPONSIBLE FOR LOCATING AND COORDINATING THE INSERT LOCATIONS WITH THE BRIDGE DECK CONTRACTOR.

LOOP INSERT DETAIL
NOT TO SCALE

GENERAL NOTES

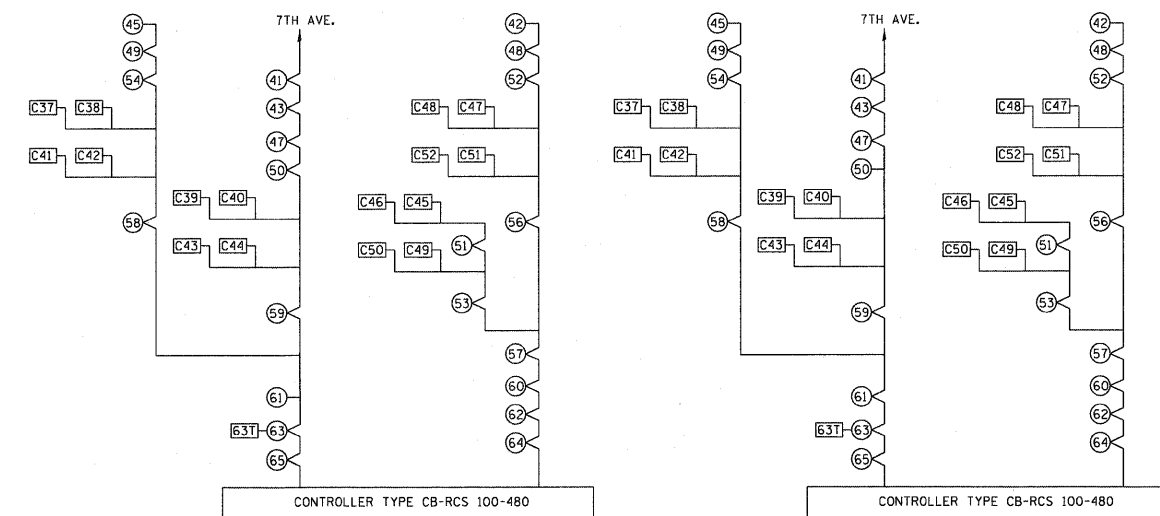
- LOCATE POLES OVER BRIDGE PIERS WHERE POSSIBLE.
- THE VIBRATION ISOLATION PAD AND LEVELING PLATE SHALL MATCH THE FOOTPRINT OF THE POLE BASE PLATE.
- THICKNESS OF ISOLATION PAD AND WASHERS SHALL BE ACCORDING TO THE ISOLATION PAD MANUFACTURER'S RECOMMENDATIONS BASED UPON POLE HEIGHT AND LOADING.
- SHOULD THE LENGTH OF THE EXPOSED ANCHOR BOLTS BE TOO SHORT ON AN EXISTING BRIDGE TO MOUNT THE POLES AS SHOWN, THEN THE LEVELING PLATE SHALL BE MOUNTED DIRECTLY ON THE CONCRETE AND LEVELED WITH STAINLESS STEEL WASHERS. REMOVE CONCRETE AS DIRECTED BY THE ENGINEER TO FULLY THREAD THE TOP NUT.
- THE DIAMETER OF THE FLAT WASHER ON EITHER SIDE OF THE ISOLATION WASHER SHALL BE AT LEAST THE SAME AS THE DIAMETER OF THE ISOLATION WASHER.

GENERAL NOTES

ALL TAPED SPLICES SHALL USE 2 LAYERS OF ELECTRICAL TAPE OVER 3 LAYERS OF RUBBER TAPE AS REQUIRED BY THE STANDARD SPECIFICATIONS. COAT THE FINISHED TAPED SPLICE WITH BONDING COMPOUND.

ALL CABLE SPLICES SHALL BE TAPED UNLESS ANOTHER METHOD HAS BEEN SPECIFICALLY APPROVED BY THE ENGINEER.

FOR EXAMPLE PURPOSES THE POLE IS SHOWN ON AN ANCHOR BASE. IF THE POLE IS REQUIRED TO BE SET ON A BREAKAWAY BASE, CONSULT THE STANDARD SPECIFICATIONS.



EXISTING

ONE-LINE DIAGRAM
NOT TO SCALE

PROPOSED