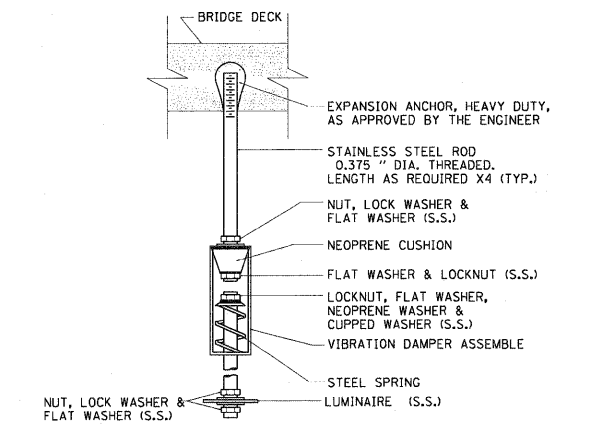
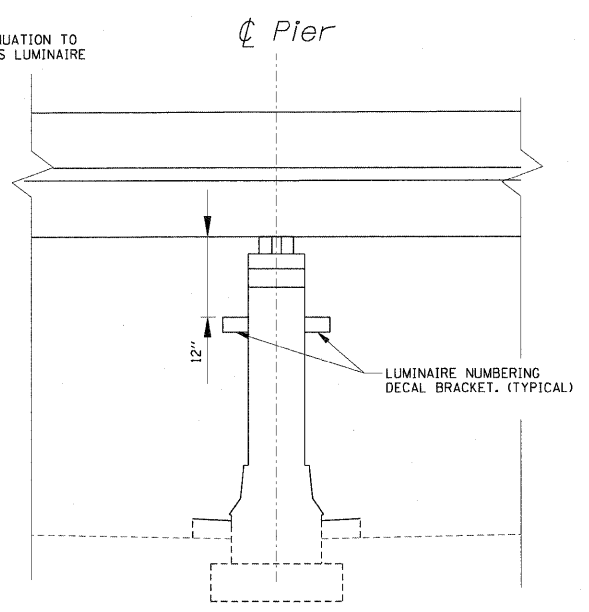


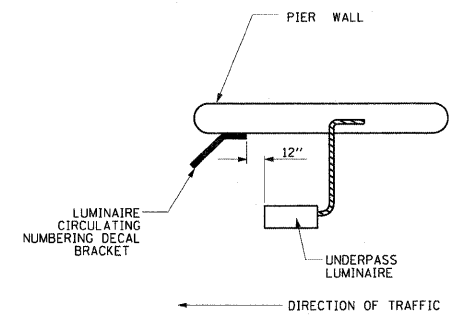
SECTION
NOT TO SCALE

NOTES:

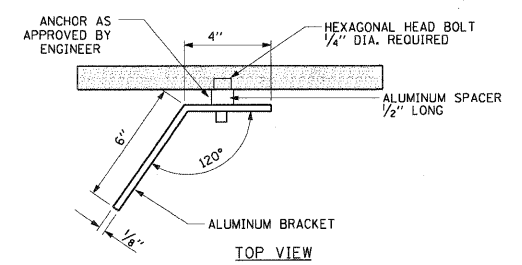
- LIQUID TIGHT FLEXIBLE NON-METALLIC CONDUIT.
- SEE PROPOSED LIGHTING PLANS FOR INSTALLATION LOCATION OF UNDERPASS LIGHTING LUMINAIRES.
- THE CONTRACTOR SHALL USE APPROVED SINGLE COIL FLARED LOOP INSERTS WHEN SUSPENDED FROM NEW BRIDGE DECK. THE FLARED LOOP INSERTS MUST BE CAST INTO THE CONCRETE DECK. THE CONTRACTOR IS RESPONSIBLE FOR LOCATING AND COORDINATING THE INSERT LOCATIONS FOR MOUNTING THE UNDERPASS LIGHTING SYSTEM AS SHOWN ON THE PLANS WITH THE BRIDGE DECK CONTRACTOR.
- THE UNDERPASS LUMINAIRE HANGER ASSEMBLY COMPLETE WITH HEAVY DUTY ANCHORS/INSERTS AND ALL APPLICABLE HARDWARE SHALL BE INCLUDED IN THE COST OF THE UNDERPASS LUMINAIRE PAY ITEM.
- SECURE THE CONDUIT WITH CONDUIT CLAMPS OR CONDUIT BEAM CLAMPS AS SHOWN AT 5'-0" INTERVALS FOR LATERALS AND WITHIN 2'-0" MAXIMUM FROM ANY JUNCTION BOX, FLEXIBLE CONDUIT, OR CHANGE IN DIRECTION.
- ALL UNDERPASS LUMINAIRES MUST BE CENTERED IN THE BEAM SPACE AS INDICATED ON THE PLANS UNLESS OTHERWISE DIRECTED BY THE ENGINEER.
- UNDERPASS LIGHTING SHALL BE IDENTIFIED BY DEPARTMENTS STANDARD LUMINAIRE DECALS.



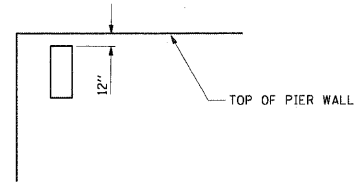
LUMINAIRE HANGER ASSEMBLY DETAIL
NOT TO SCALE



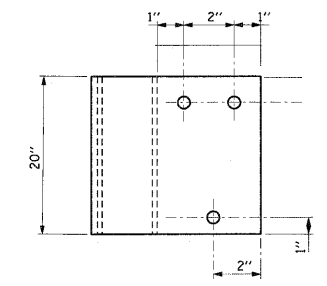
PLAN



TOP VIEW

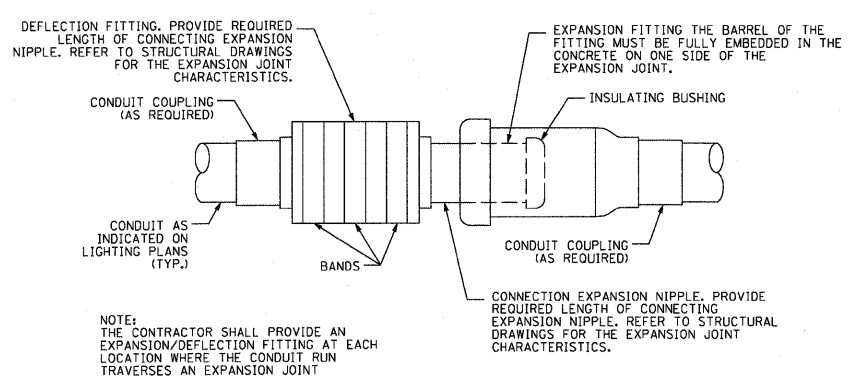


ELEVATION



ELEVATION

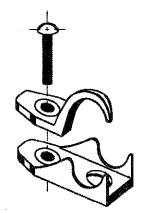
LUMINAIRE NUMBERING DECAL BRACKET
NOT TO SCALE



CONDUIT EXPANSION / DEFLECTION COUPLING DETAIL
NOT TO SCALE



CONDUIT BEAM CLAMP
NOT TO SCALE



CONDUIT CLAMP
NOT TO SCALE

FILE NAME = ES Electrical Details.dgn JACOBS	USER NAME = JACOBS	DESIGNED - HS	REVISED -	STATE OF ILLINOIS DEPARTMENT OF TRANSPORTATION	E5 ELECTRICAL DETAILS	F.A.I. RTE. = 74	SECTION = (81-1HB)D	COUNTY = ROCK ISLAND	TOTAL SHEETS = 78	SHEET NO. = 18	
	PLOT SCALE =	CHECKED - CDS	REVISED -			SHEET NO. 18 OF 78 SHEETS		CONTRACT NO. 64D95		ILLINOIS FED. AID PROJECT	
	PLOT DATE = 10/28/2010	DRAWN - HS	REVISED -								