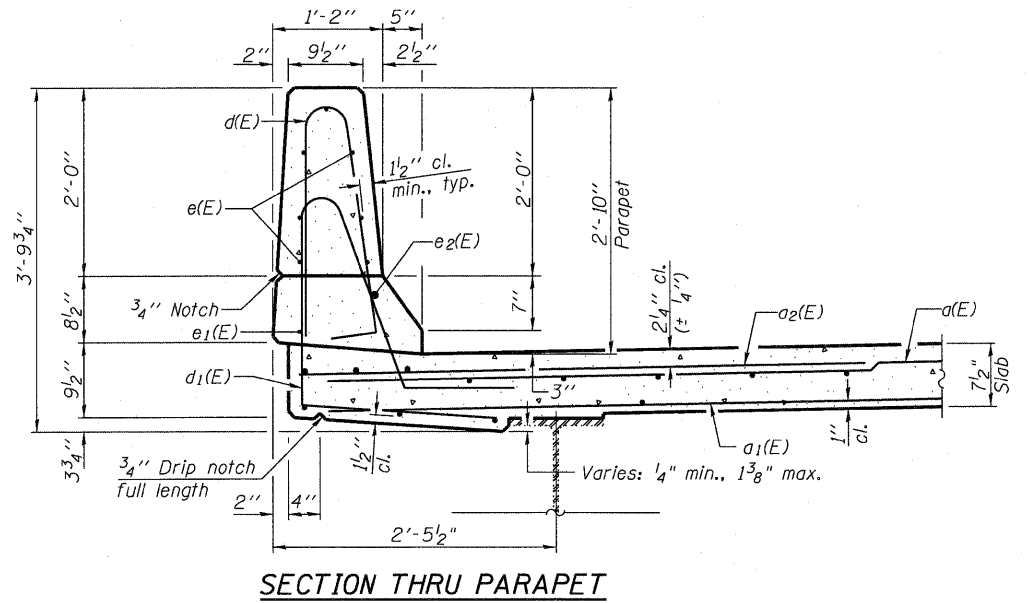
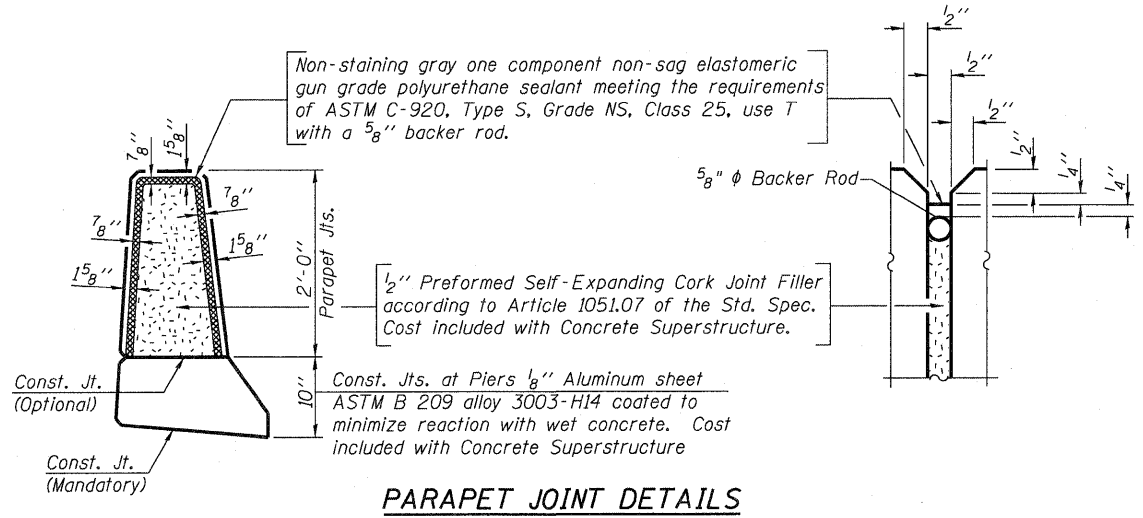


**INSIDE ELEVATION OF EAST PARAPET UNIT 1**  
(West Parapet Similar)

**MINIMUM BAR LAP**  
(Parapet)  
#4 bar = 2'-0"  
#8 bar = 5'-2"



**SECTION THRU PARAPET**



**PARAPET JOINT DETAILS**

- NOTES:**
1. Bars indicated thus 1x3-#8 etc. indicates 1 line of bars with 3 lengths per line.
  2. See Sheet No. SA15 for superstructure details and Bill of Material.

FILE NAME = 0810115-B4D95-SA11-PARAP1.dgn <b>JACOBS</b>	USER NAME = JACOBS	DESIGNED - KEB	REVISED -	<b>STATE OF ILLINOIS</b> <b>DEPARTMENT OF TRANSPORTATION</b>	<b>SUPERSTRUCTURE DETAILS UNIT 1</b> <b>STRUCTURE NO. 081-0115</b>	F.A.I. RTE. = 74	SECTION = (81-1HB)D	COUNTY = ROCK ISLAND	TOTAL SHEETS = 78	SHEET NO. = 29
	PLOT SCALE =	DRAWN - KEB	REVISED -			CONTRACT NO. 64D95				
	PLOT DATE = 10/28/2010	CHECKED - LJH	REVISED -			ILLINOIS FED. AID PROJECT				
	SHEET NO. SA11 OF SA28 SHEETS									