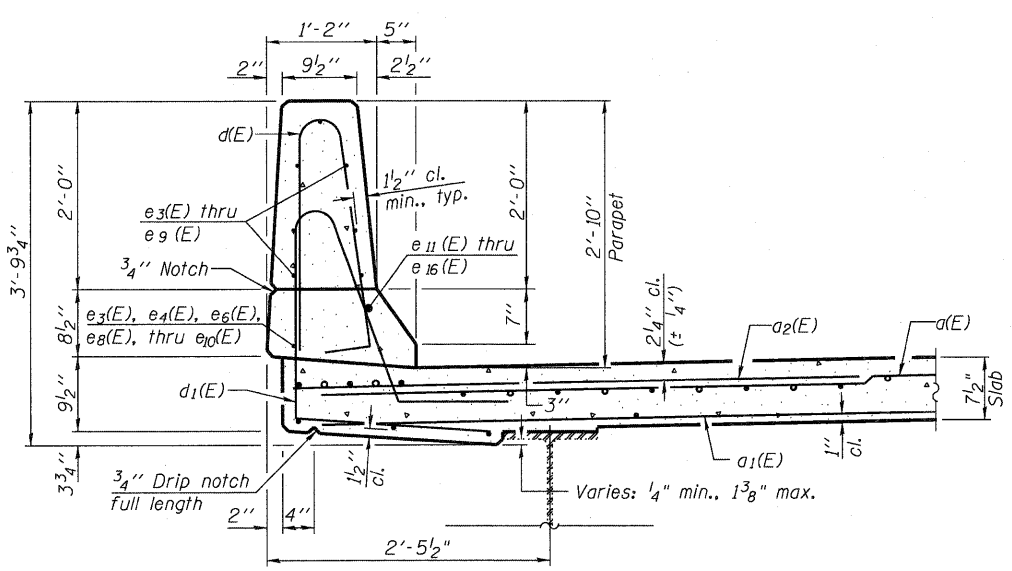
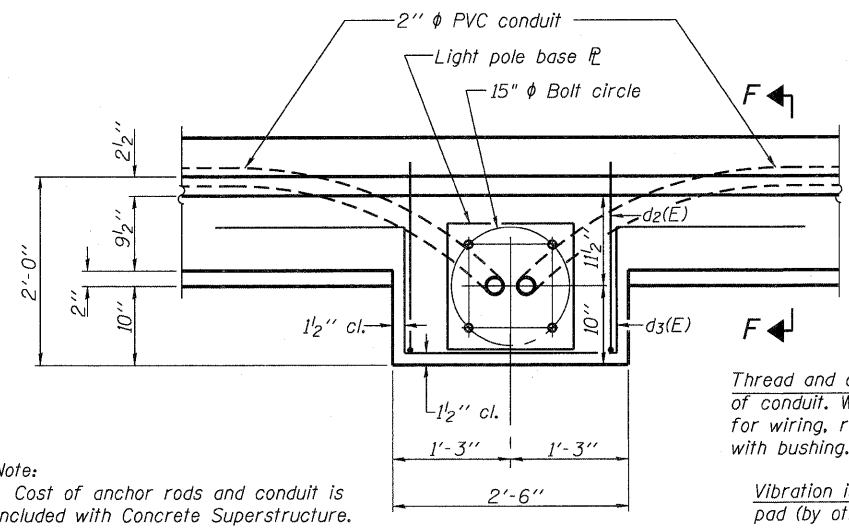


INSIDE ELEVATION OF EAST PARAPET UNIT 2
(West Parapet Similar)

* Light pole on West Parapet only. For additional parapet reinforcement at light pole locations, see Light Pole Mounted on Concrete Parapet detail.

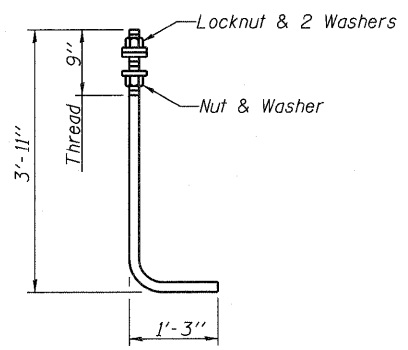


SECTION THRU PARAPET

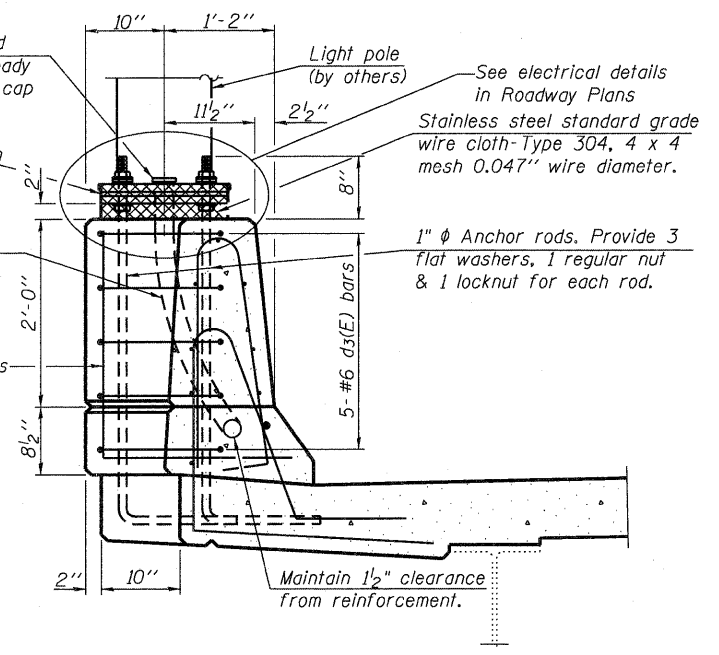


Note:
Cost of anchor rods and conduit is included with Concrete Superstructure.

PLAN



1" ϕ ANCHOR ROD
Hot Dip Galvanized
(ASTM F 1554 Grade 105)

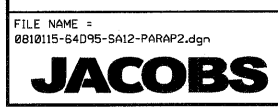


SECTION F-F

MINIMUM BAR LAP
(Parapet)
#4 bar = 2'-0"
#8 bar = 5'-2"

LIGHT POLE MOUNTED ON CONCRETE PARAPET

- NOTES:**
1. For Parapet joint detail, see Sheet No. SA11
 2. Bars indicated thus 1x4-#4 etc. Indicates 1 line of bars with 4 lengths per line.
 3. See Sheet No. SA15 for superstructure details and Bill of Material.



FILE NAME = 0810115-64D95-SA12-PARAP2.dgn	USER NAME = JACOBS	DESIGNED - KEB	REVISED -
		CHECKED - L JH	REVISED -
		DRAWN - KEB	REVISED -
		CHECKED - L JH	REVISED -
PLOT SCALE =			
PLOT DATE = 10/28/2010			

STATE OF ILLINOIS
DEPARTMENT OF TRANSPORTATION

SUPERSTRUCTURE DETAILS UNIT 2
STRUCTURE NO. 081-0115

SHEET NO. SA12 OF SA28 SHEETS

F.A.I. RTE.	SECTION	COUNTY	TOTAL SHEETS	SHEET NO.
74	(81-IHBID)	ROCK ISLAND	78	30
CONTRACT NO. 64D95				
ILLINOIS FED. AID PROJECT				