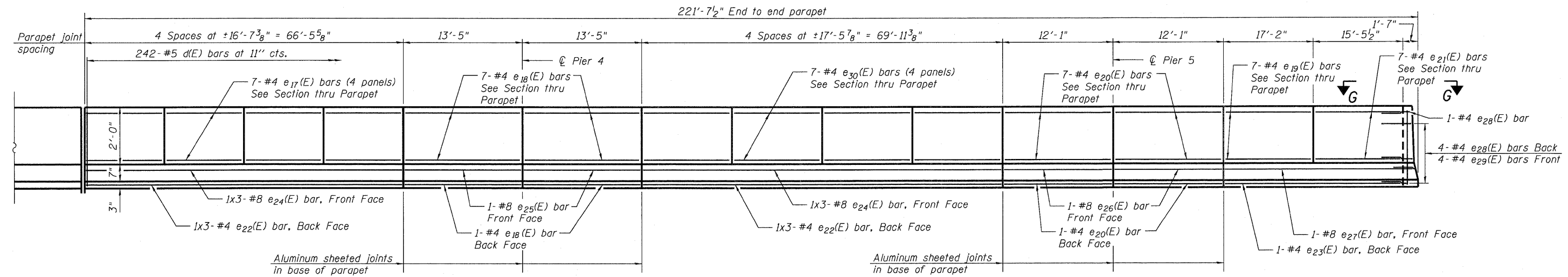
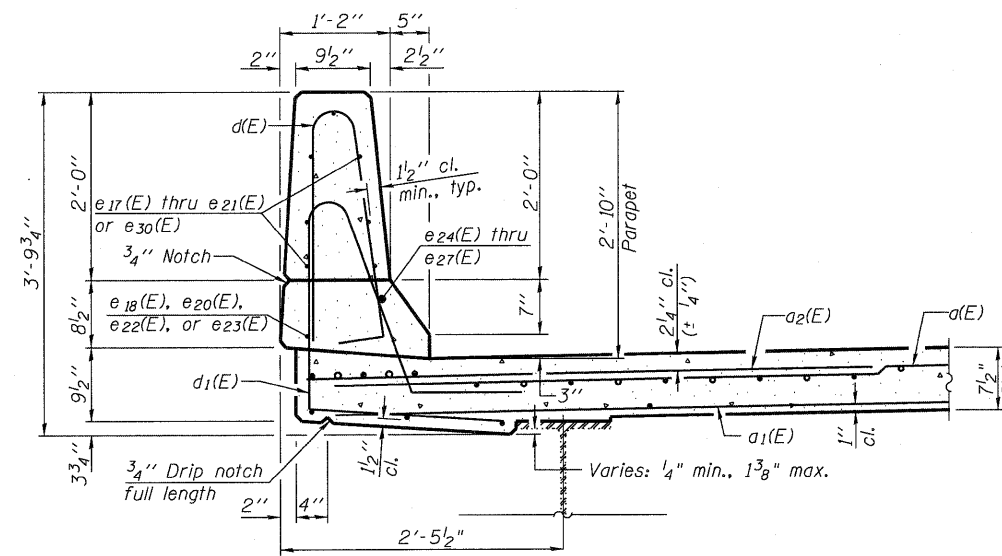


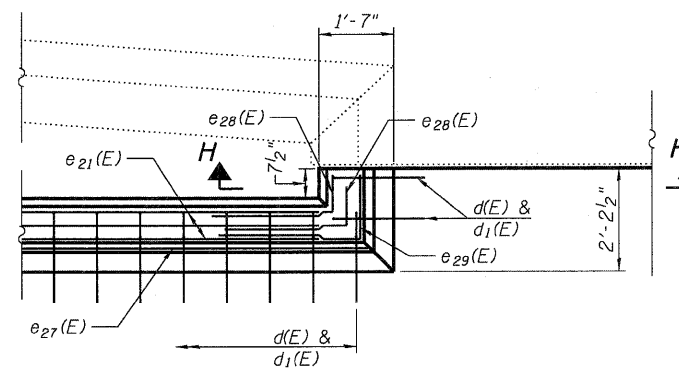
INSIDE ELEVATION OF WEST PARAPET UNIT 3



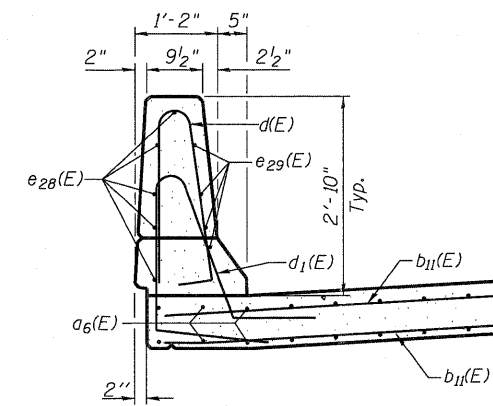
INSIDE ELEVATION OF EAST PARAPET UNIT 3



SECTION THRU PARAPET



VIEW G-G

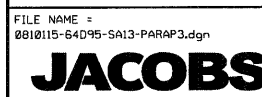


SECTION H-H

MINIMUM BAR LAP
(Parapet)
#4 bar = 2'-0"
#8 bar = 5'-2"

NOTES:

1. For Parapet joint detail, see Sheet No. SA11.
2. Bars indicated thus 1x4-#4 etc. indicates 1 line of bars with 4 lengths per line.
3. See Sheet No. SA15 for superstructure details and Bill of Material.



FILE NAME = 0810115-64D95-SA13-PARAP3.dgn	USER NAME = JACOBS	DESIGNED - KEB	REVISED -
		CHECKED - LJH	REVISED -
		DRAWN - KEB	REVISED -
		CHECKED - LJH	REVISED -
PLOT SCALE =			
PLOT DATE = 10/28/2010			

STATE OF ILLINOIS
DEPARTMENT OF TRANSPORTATION

SUPERSTRUCTURE DETAILS UNIT 3
STRUCTURE NO. 081-0115

SHEET NO. SA13 OF SA28 SHEETS

F.A.I. RTE.	SECTION	COUNTY	TOTAL SHEETS	SHEET NO.
74	(81-1)HBD	ROCK ISLAND	78	31
CONTRACT NO. 64D95				
ILLINOIS FED. AID PROJECT				