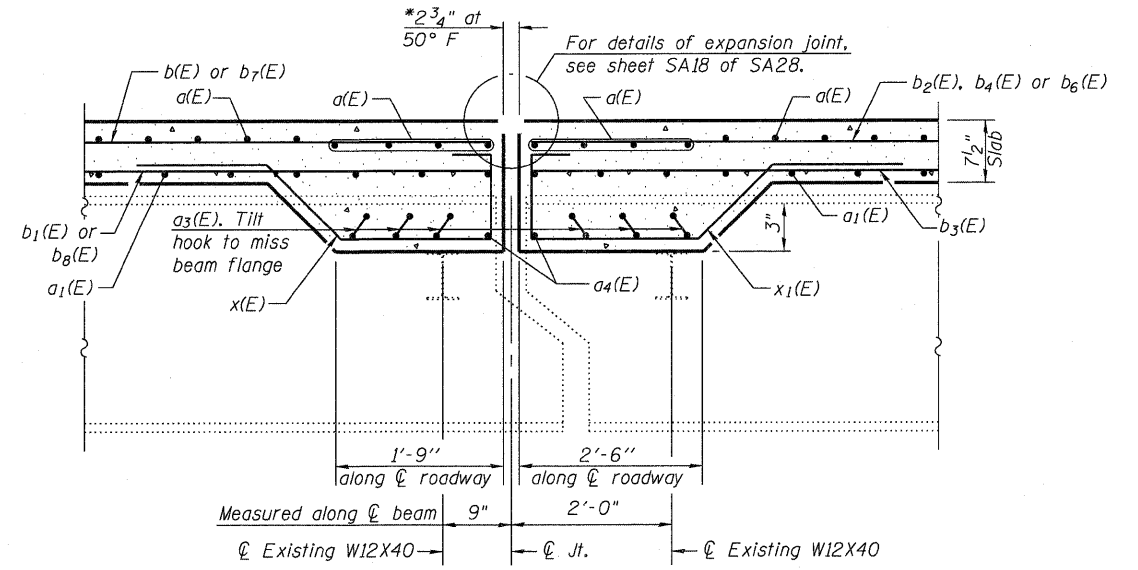
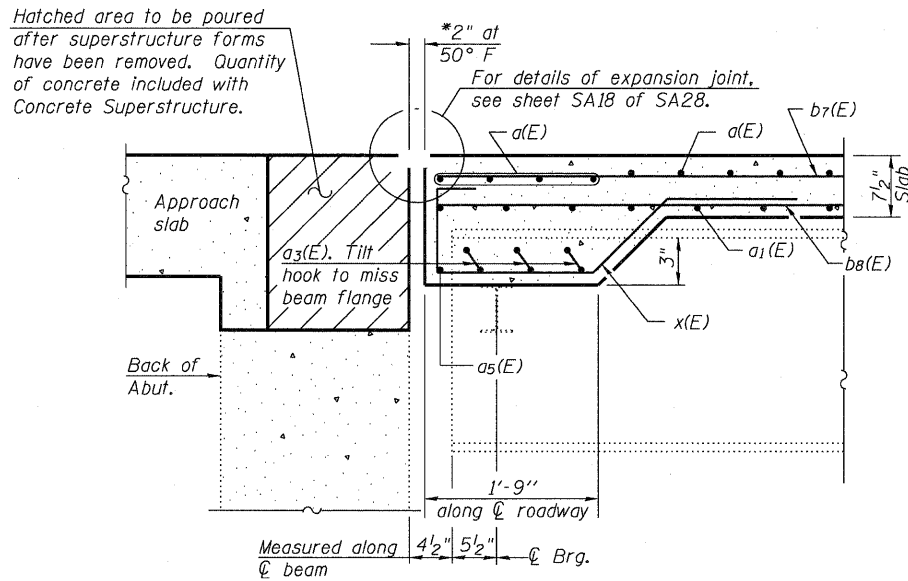


SECTION A-A

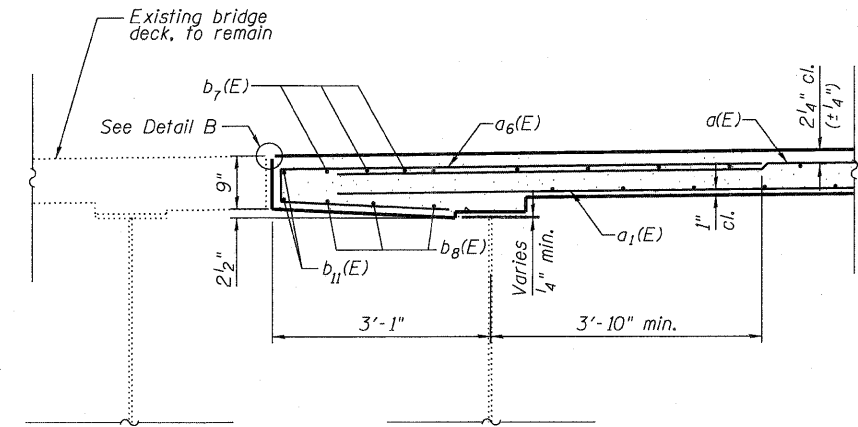


SECTION B-B



SECTION D-D

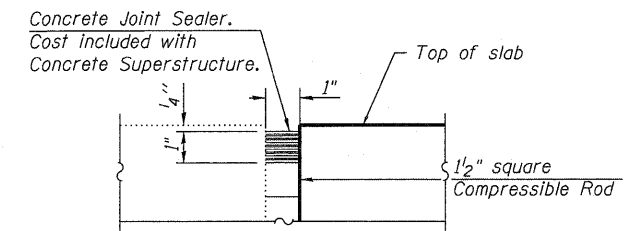
* Dimensions are based on a Rolled Rail Strip Seal Joint. If the Contractor elects to use the Welded Rail Strip Seal Joint, deck dimensions may require adjustments to satisfy the details on Base Sheet EJ-SSJ.



SECTION E-E

DECK CROSS SLOPES (EXIST. PLANS)

Station	G1	G2	G3	G4
Up To Sta. 90+00.00	1/4" per ft.	3/16" per ft.	3/16" per ft.	1/4" per ft.
Sta. 90+25.00	1/4" per ft.	3/16" per ft.	1/8" per ft.	1/8" per ft.
Sta. 90+50.00	1/4" per ft.	3/16" per ft.	1/8" per ft.	1/8" per ft.
Sta. 90+75.00	1/4" per ft.	3/16" per ft.	1/8" per ft.	1/8" per ft.



DETAIL B