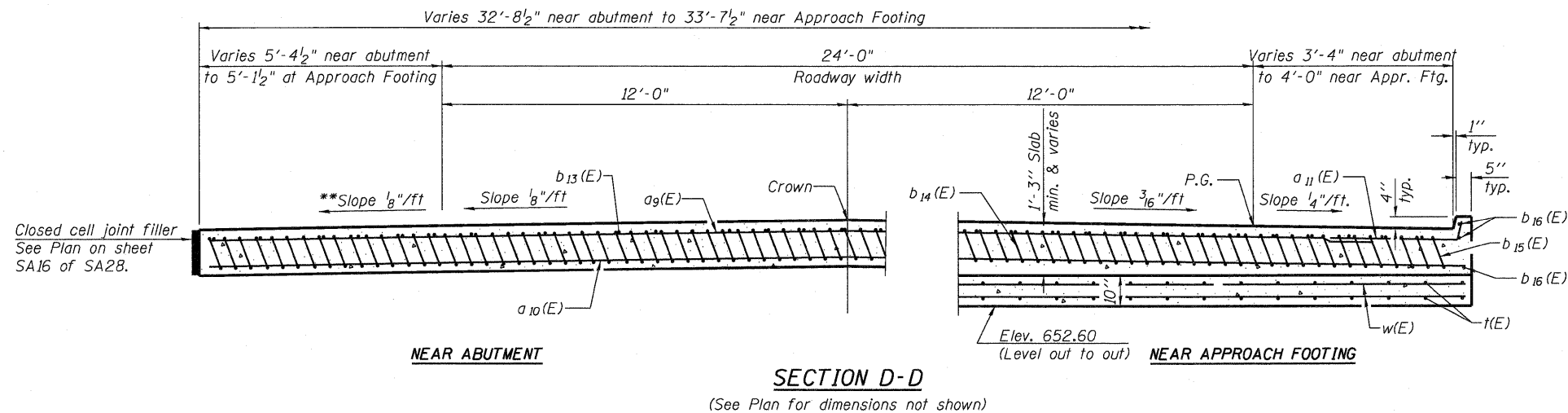


Notes:
 See sheet SA16 of SA28 for Detail A.
 Approach slab shall be paid for as Concrete Superstructure.
 Approach footing concrete shall be paid for as Concrete Structures.
 Reinforcement shall be paid for as Reinforcement Bars, Epoxy Coated.
 For v(E) bar details, see sheet SA27 of SA28.
 The approach footing maximum applied service bearing pressure (Qmax) = 2.0 ksf.
 For bar splicer details, see sheet SA28 of SA28.
 Cost of excavation for approach footing included with Concrete Structures.



* Tilt #9 b₁₄(E) and b₁₅(E) bars as required to maintain clearance.
 ** Slope slab to meet existing I-74 S.B. slab elevation at shared joint.
 *** Cost included with Concrete Superstructure.

**SOUTH APPROACH
 BILL OF MATERIAL**

Bar	No.	Size	Length	Shape
a ₉ (E)	25	#4	32'-5"	—
a ₁₀ (E)	46	#5	33'-4"	—
a ₁₁ (E)	4	#4	4'-3"	—
b ₁₃ (E)	27	#4	29'-8"	—
b ₁₄ (E)	73	#9	29'-9"	U
b ₁₅ (E)	6	#9	28'-0"	U
b ₁₆ (E)	3	#4	3'-9"	—
t(E)	70	#4	9'-8"	—
w(E)	40	#5	33'-4"	—
Concrete Superstructure			Cu. Yd.	45.4
Concrete Structures			Cu. Yd.	10.4
Reinforcement Bars, Epoxy Coated			Pound	12,500

