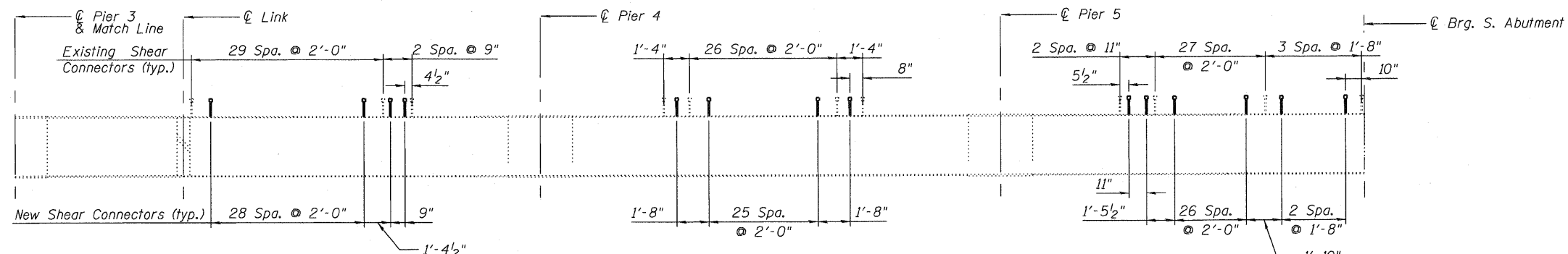
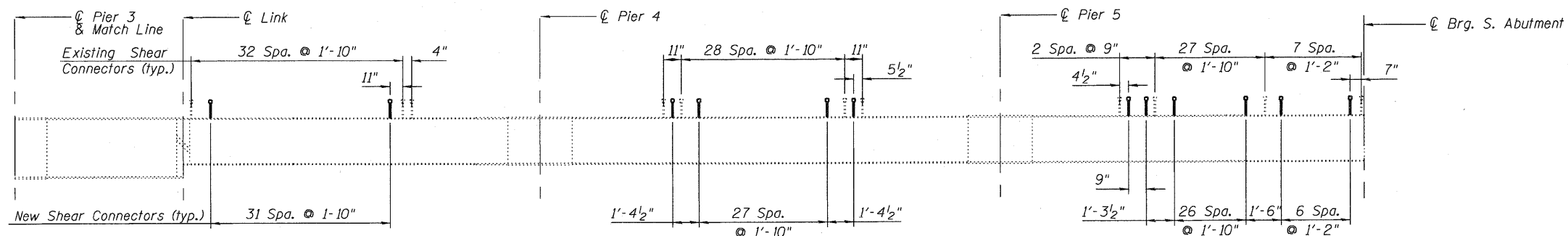


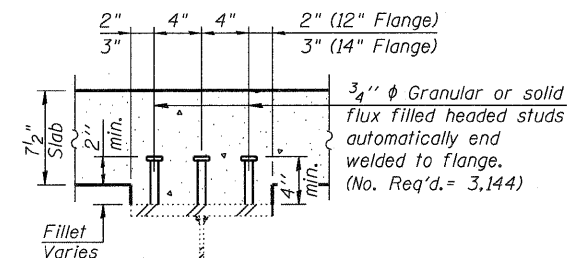
**SHEAR CONNECTOR LAYOUT**  
Girders 1-6: Spans 1- 3



**SHEAR CONNECTOR LAYOUT**  
Girders 1 and 6: Spans 4-6



**SHEAR CONNECTOR LAYOUT**  
Girders 2-5: Spans 4-6



**SECTION A - A**  
(Fillet reinforcement not shown for clarity.)

FILE NAME = 0810115-64095-5A22-SHEARCONN.dgn  
**JACOBS**

USER NAME = JACOBS  
DESIGNED - LM  
CHECKED - KEB  
DRAWN - LM  
PLOT DATE = 10/28/2010

REVISIONS  
REVISOR  
DATE

STATE OF ILLINOIS  
DEPARTMENT OF TRANSPORTATION

STRUCTURAL STEEL DETAILS  
STRUCTURE NO. 081-0115

SHEET NO. SA22 OF SA28 SHEETS

F.A.I. RTE.	SECTION	COUNTY	TOTAL SHEETS	SHEET NO.
74	(81-1)HBD	ROCK ISLAND	78	40
CONTRACT NO. 64095				

ILLINOIS FED. AID PROJECT