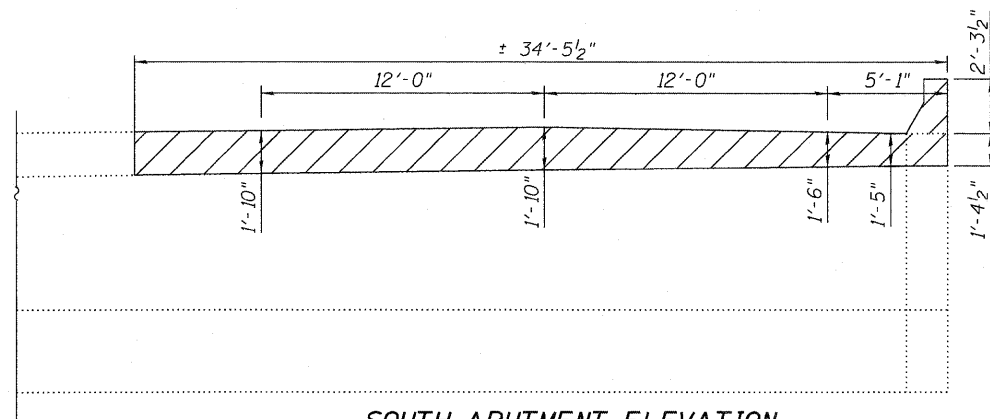
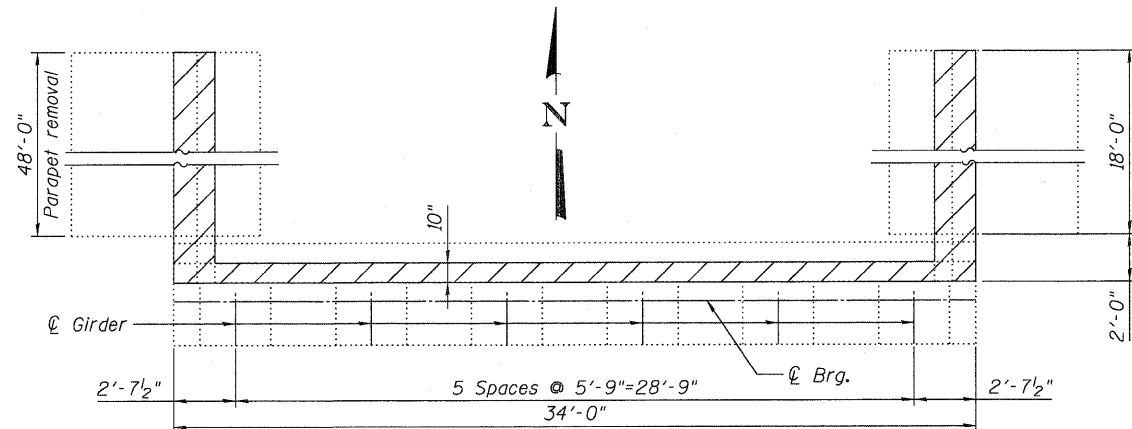


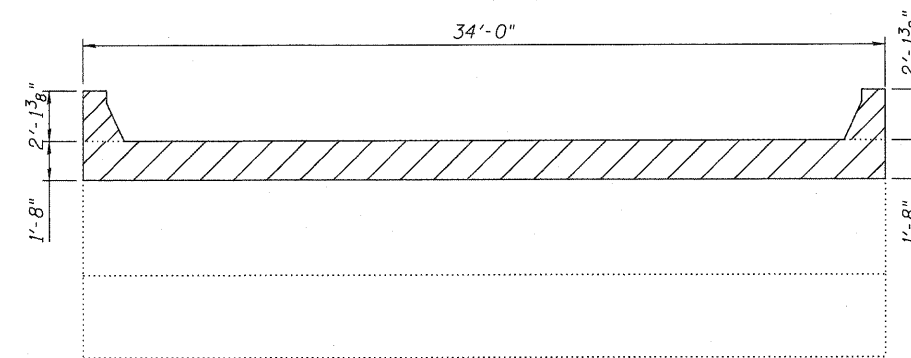
**SOUTH ABUTMENT PLAN**



**SOUTH ABUTMENT ELEVATION**



**NORTH ABUTMENT PLAN**

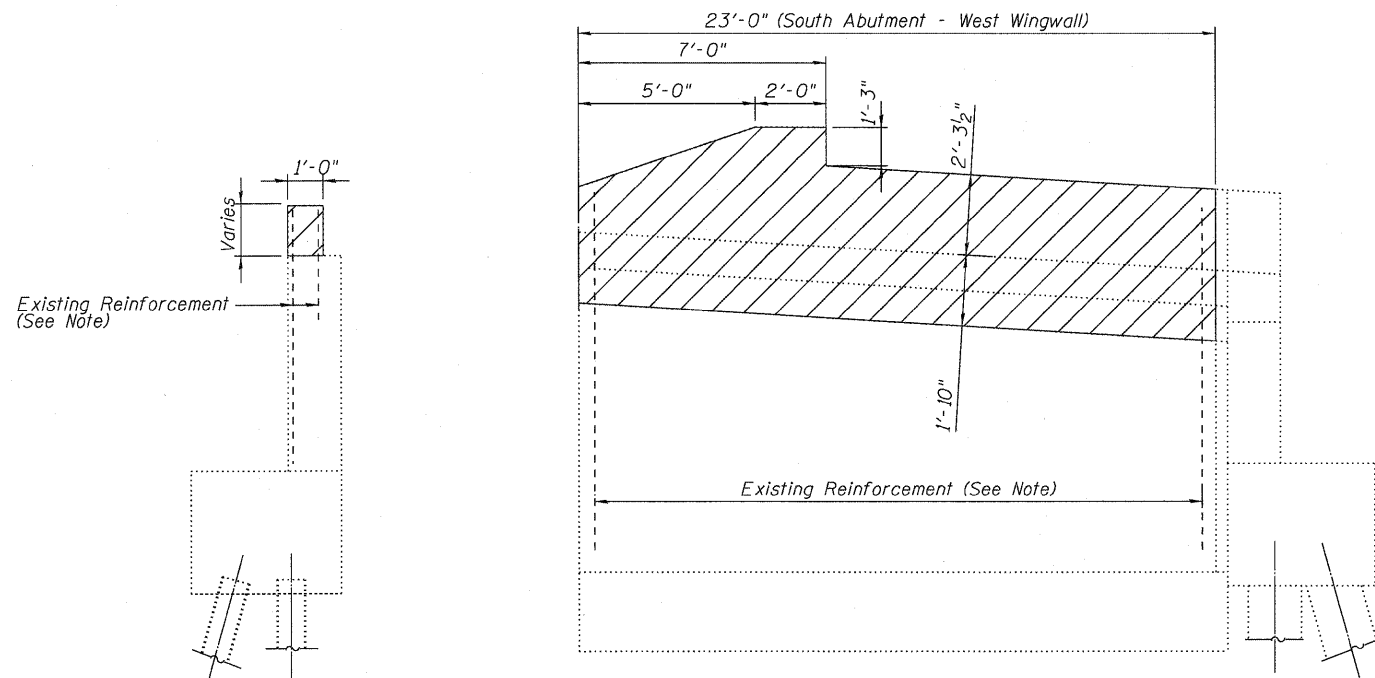
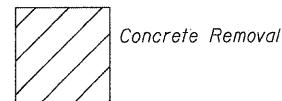


**NORTH ABUTMENT ELEVATION**

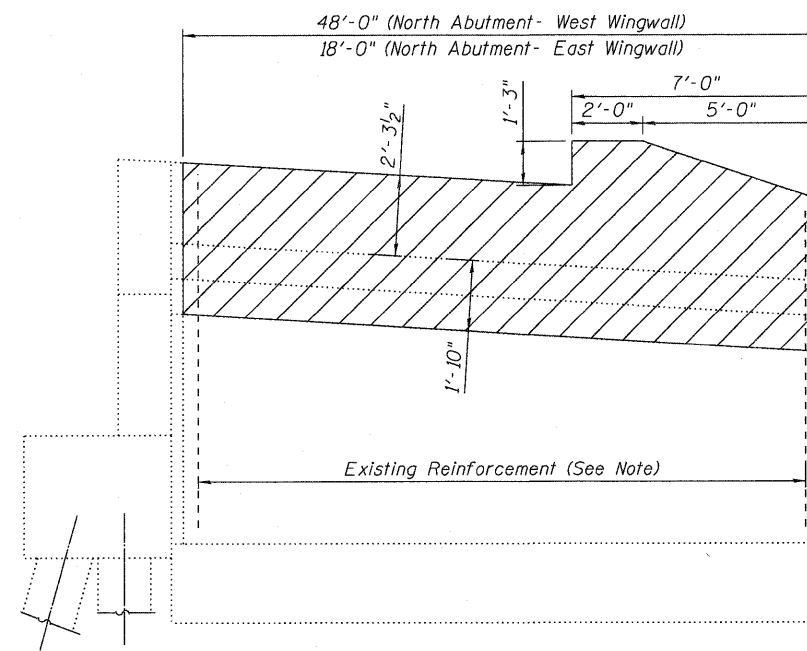
**NOTE:**

Existing reinforcement extending in the removal area shall be cleaned and incorporated in the new construction. Cost included with Concrete Removal

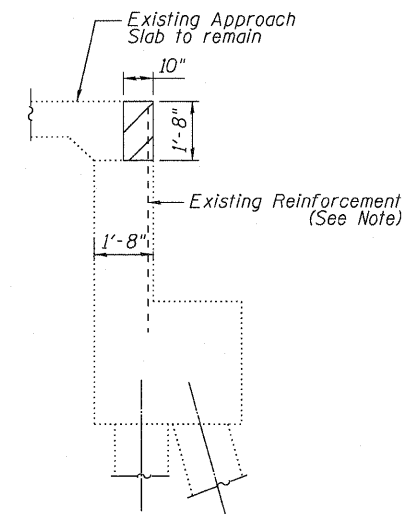
**LEGEND**



**SOUTH ABUTMENT WINGWALL ELEVATION**



**NORTH ABUTMENT WINGWALL ELEVATION**



**SECTION THRU NORTH ABUTMENT**

**SECTION THRU SOUTH ABUTMENT**

FILE NAME = 0810115-64D95-SA23-REMOV.dgn

**JACOBS**

USER NAME = JACOBS	DESIGNED - LM	REVISD -
PLOT SCALE =	CHECKED - LJH	REVISD -
PLOT DATE = 10/28/2010	DRAWN - LM	REVISD -
	CHECKED - LJH	REVISD -

**STATE OF ILLINOIS  
DEPARTMENT OF TRANSPORTATION**

**ABUTMENT CONCRETE REMOVALS  
STRUCTURE NO. SN 081-0115**

SHEET NO. SA23 OF SA28 SHEETS

F.A.I. RTE.	SECTION	COUNTY	TOTAL SHEETS	SHEET NO.
74	(81-1)HBD	ROCK ISLAND	78	41
CONTRACT NO. 64D95			ILLINOIS FED. AID PROJECT	