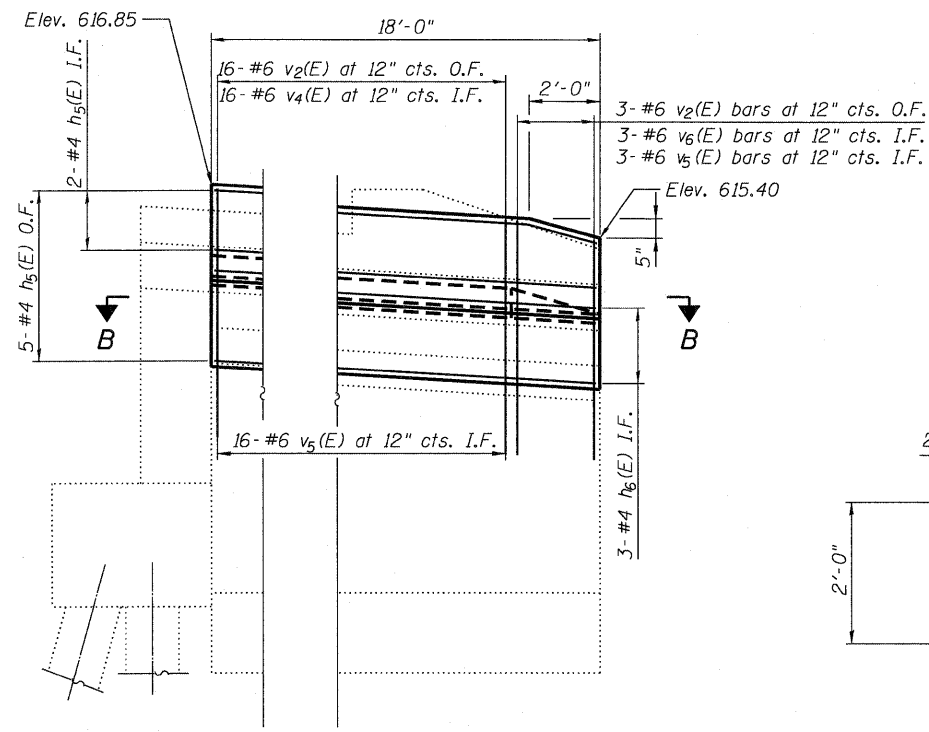
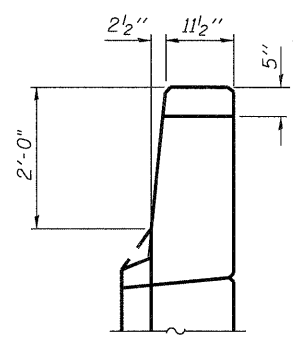


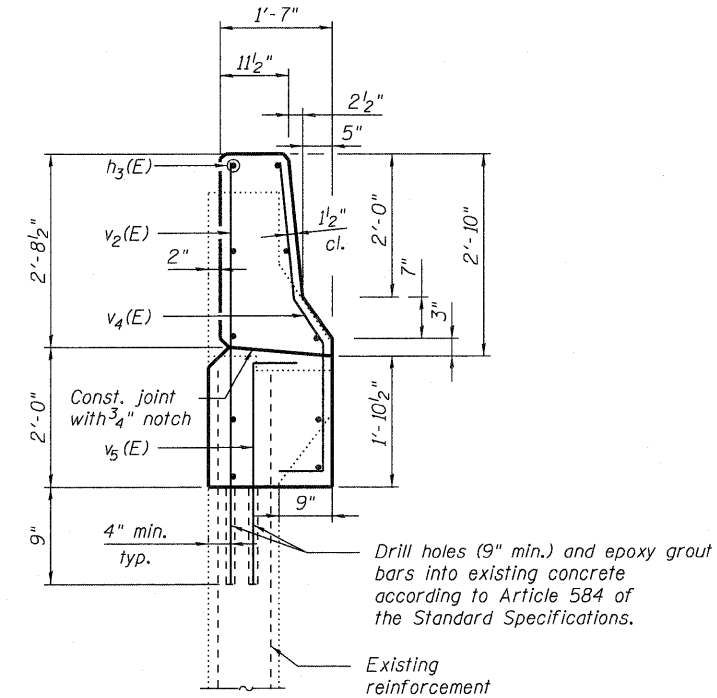
WEST WINGWALL ELEVATION



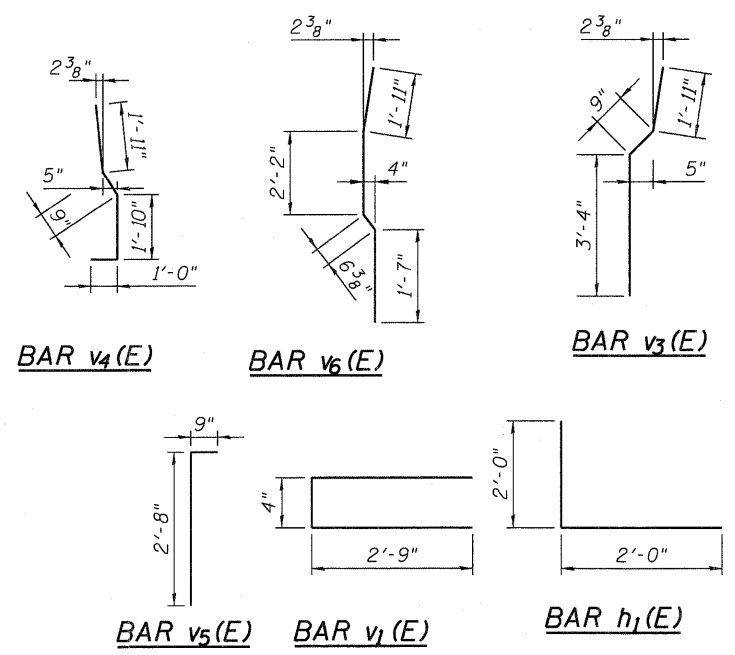
EAST WINGWALL ELEVATION



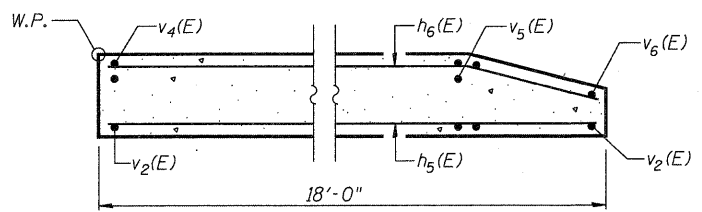
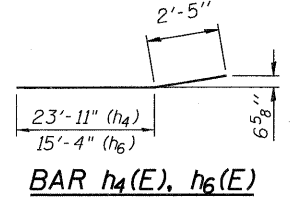
VIEW C-C



SECTION A-A



MINIMUM BAR LAP
(Parapet)
#4 Bar = 2'-7"



SECTION B-B

NORTH ABUTMENT BILL OF MATERIAL

Bar	No.	Size	Length	Shape
h(E)	4	#6	33'-9"	—
h1(E)	8	#5	4'-0"	└
h2(E)	20	#4	1'-9"	—
h3(E)	10	#4	23'-9"	—
h4(E)	3	#4	26'-4"	—
h5(E)	7	#4	17'-9"	—
h6(E)	3	#4	17'-9"	—
h7(E)	7	#4	26'-4"	—
v1(E)	32	#5	5'-10"	┌
v2(E)	75	#6	5'-4"	—
v3(E)	6	#6	6'-0"	┌
v4(E)	63	#6	5'-6"	—
v5(E)	69	#6	3'-5"	┌
v6(E)	6	#6	6'-3"	┌
Concrete Structures		Cu. Yd.	16.5	
Reinforcement Bars, Epoxy Coated		Pound	2,500	
Concrete Removal		Cu. Yd.	17.6	

NOTES:

Existing reinforcement shall be cleaned and incorporated into the new construction. Cost included with Concrete Removal.