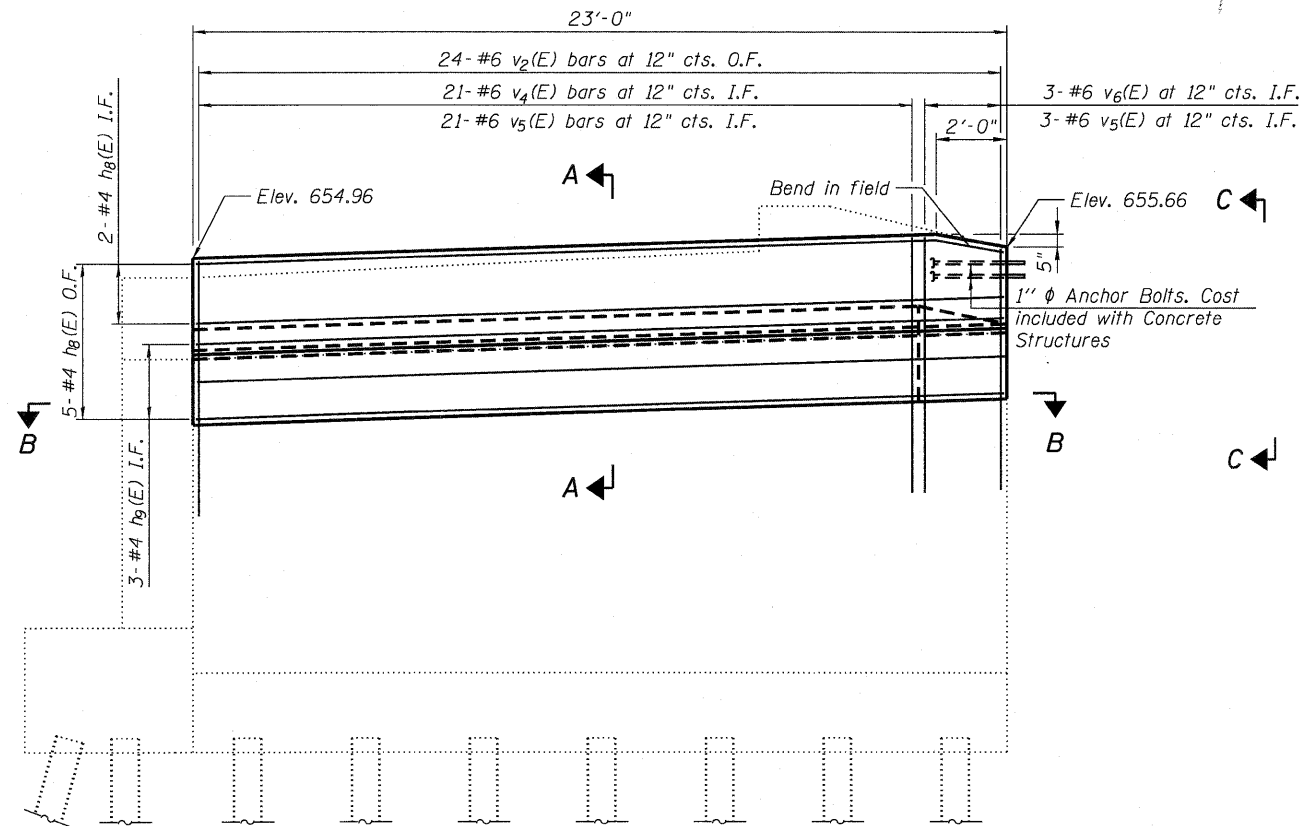


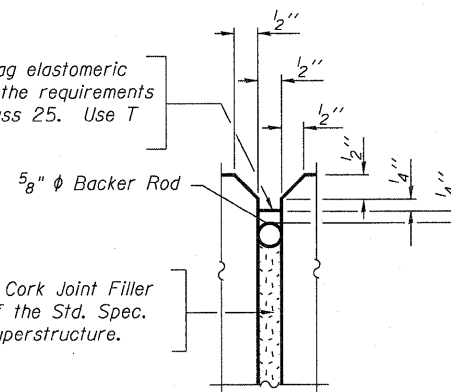
**SOUTH ABUTMENT  
BILL OF MATERIAL**

Bar	No.	Size	Length	Shape
h <sub>1</sub> (E)	4	#5	4'-0"	L
h <sub>2</sub> (E)	10	#4	1'-9"	—
h <sub>7</sub> (E)	4	#6	34'-0"	—
h <sub>8</sub> (E)	7	#4	22'-9"	—
h <sub>9</sub> (E)	3	#4	22'-9"	—
v(E)	35	#6	3'-10"	L
v <sub>2</sub> (E)	27	#6	5'-4"	—
v <sub>3</sub> (E)	3	#6	6'-0"	—
v <sub>4</sub> (E)	21	#6	5'-6"	—
v <sub>5</sub> (E)	24	#6	3'-5"	—
v <sub>6</sub> (E)	3	#6	6'-3"	—
v <sub>7</sub> (E)	34	#5	6'-0"	—
Concrete Structures		Cu. Yd.	5.9	
Reinforcement Bars, Epoxy Coated		Pound	1,370	
Concrete Removal		Cu. Yd.	8.0	



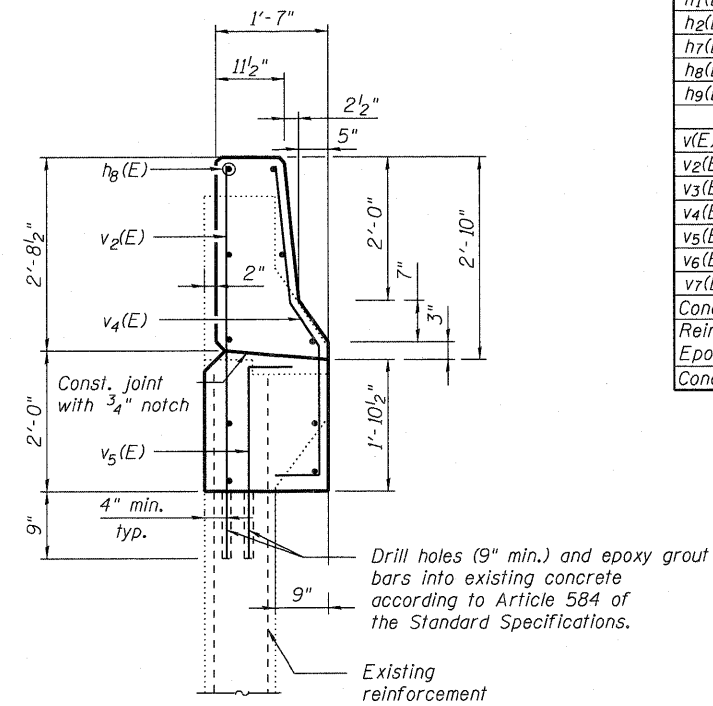
**ELEVATION**

Non-staining gray one component non-sag elastomeric gun grade polyurethane sealant meeting the requirements of ASTM C-920, Type S, Grade NS, Class 25. Use T with a 5/8" backer rod.

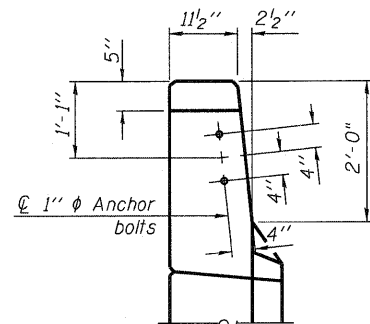


**DETAIL E**

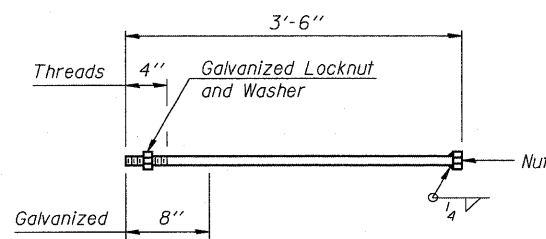
1/2" Preformed Self-Expanding Cork Joint Filler according to Article 1051.07 of the Std. Spec. Cost included with Concrete Superstructure.



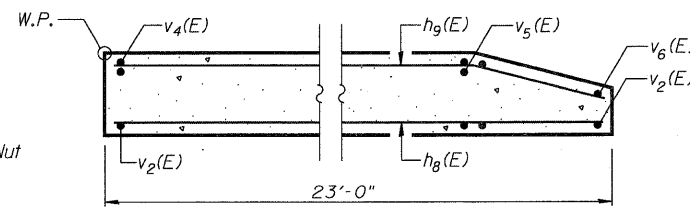
**SECTION A-A**



**VIEW C-C**



**1" φ ANCHOR BOLT**



**SECTION B-B**

**NOTE:**

Existing reinforcement shall be cleaned and incorporated into the new construction. Cost included with Concrete Removal.

