

PLAN

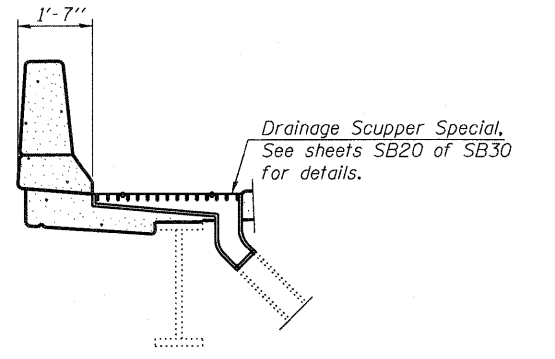
*a₈(E) and b₁₃(E) bars typical all girders. See Fillet Reinforcement Section on Sheet SB14 of SB30.

MINIMUM BAR LAP

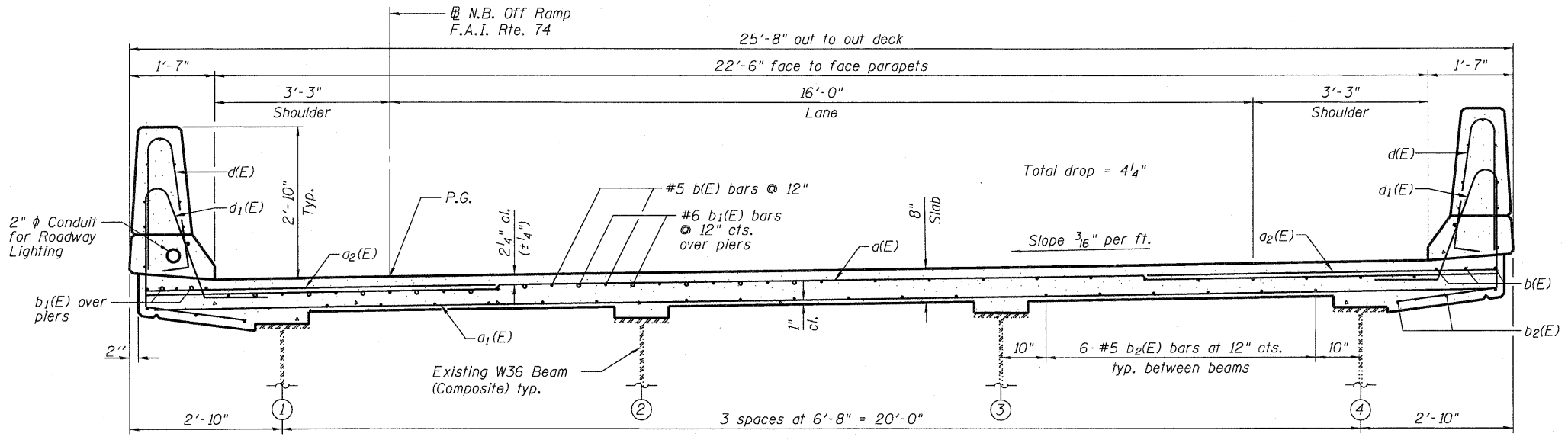
- (Deck)
 #4 bar = 2'-0"
 #5 bar = 3'-3"
 #6 bar = 3'-10"

NOTES:

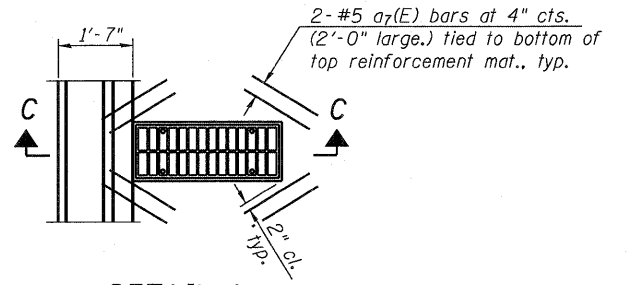
- For Section A-A and B-B see Sheet No. SB14.
- For parapet reinforcement details, see Sheet No. SB11.
- Bars indicated thus 23x5-#5 etc. indicates 23 lines of bars with 5 lengths per line.
- See Sheet No. SB14 for superstructure details and Bill of Material.
- Locate drainage scuppers to tie into existing closed drainage system.



SECTION C-C



CROSS SECTION
(Looking South)



DETAIL A

Note: Cut longitudinal reinforcement to clear drainage scuppers.