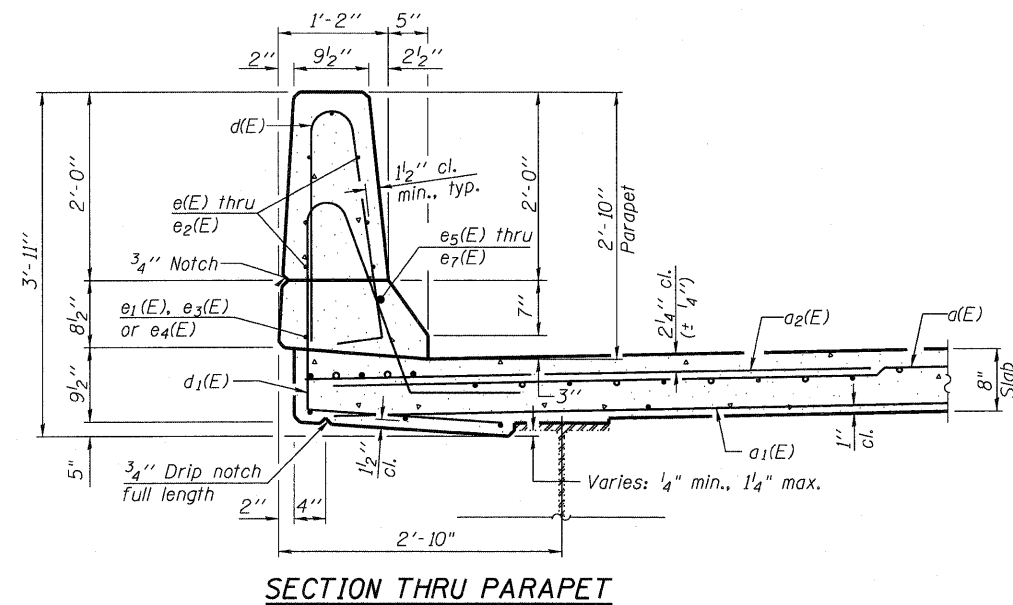


INSIDE ELEVATION OF EAST PARAPET UNIT 1
(West Parapet Similar)



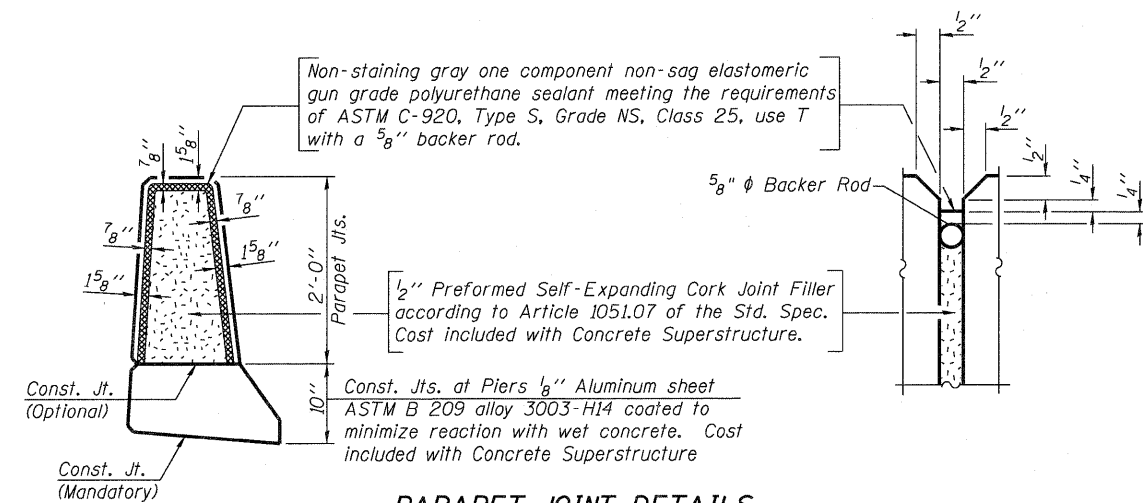
SECTION THRU PARAPET

MINIMUM BAR LAP

(Parapet)
#4 bar = 2'-0"
#8 bar = 5'-2"

NOTES:

1. Bars indicated thus 1x3-#8 etc. indicates 1 line of bars with 3 lengths per line.
2. See Sheet No. SB14 for superstructure details and Bill of Material.



PARAPET JOINT DETAILS

FILE NAME = 0810116-64095-SB11-PARAP1.dgn JACOBS	USER NAME = JACOBS	DESIGNED - KEB	REVISED -	STATE OF ILLINOIS DEPARTMENT OF TRANSPORTATION	SUPERSTRUCTURE DETAILS UNIT 1 STRUCTURE NO. 081-0116	F.A.I. RTE. = 74	SECTION = (81-1HB)D	COUNTY = ROCK ISLAND	TOTAL SHEETS = 78	SHEET NO. = 57
	PLOT SCALE =	CHECKED - LJH	REVISED -			CONTRACT NO. 64D95				
	PLOT DATE = 10/28/2010	DRAWN - KEB	REVISED -			ILLINOIS FED. AID PROJECT				
		CHECKED - LJH	REVISED -			SHEET NO. SB11 OF SB30 SHEETS				