

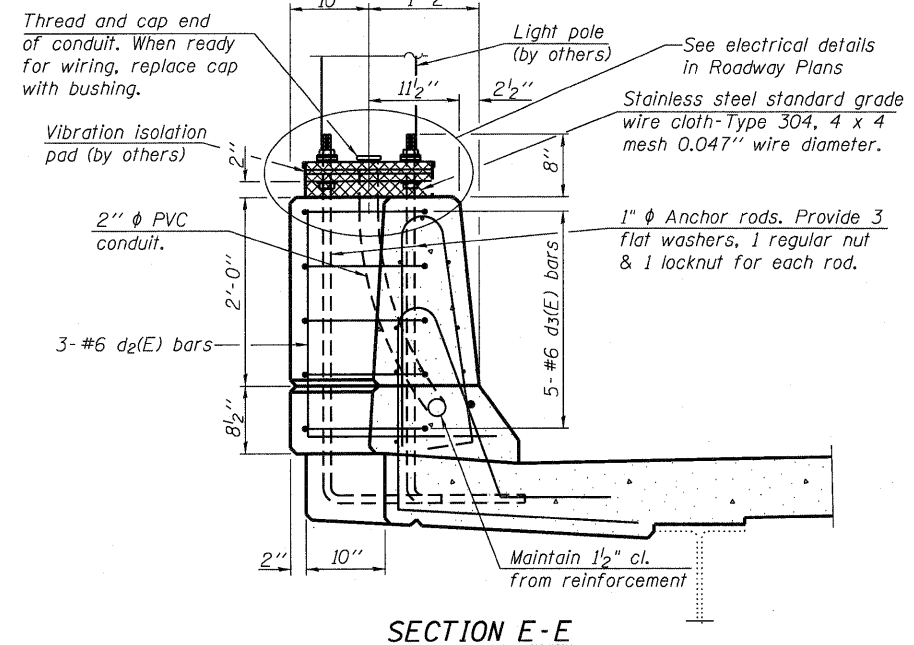
* Light pole on East Parapet only. For additional parapet reinforcement at light pole locations, see Light Pole Mounted on Concrete Parapet detail.

INSIDE ELEVATION OF EAST PARAPET UNIT 2

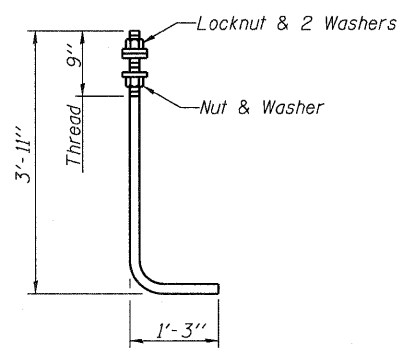
(West Parapet Similar)

MINIMUM BAR LAP

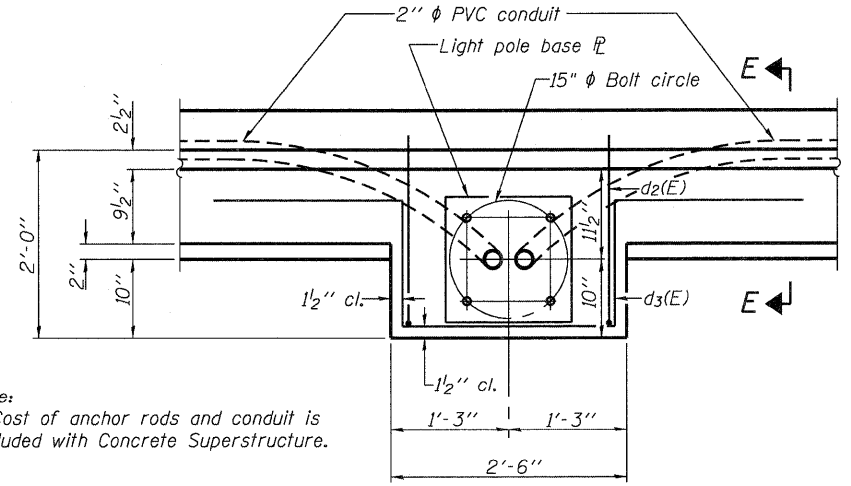
(Parapet)
 #4 bar = 2'-0"
 #8 bar = 5'-2"



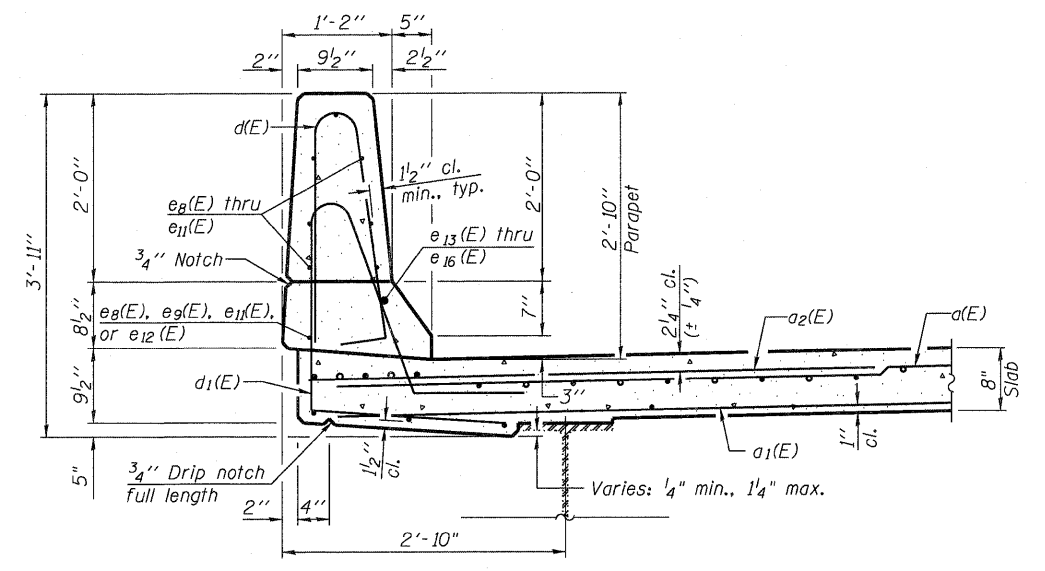
SECTION E-E



1" φ ANCHOR ROD
 Hot Dip Galvanized
 (ASTM F 1554 Grade 105)



PLAN



SECTION THRU PARAPET

NOTES:

1. For Parapet joint detail, see Sheet No. SB11.
2. Bars indicated thus 1x3-#4 etc. indicates 1 line of bars with 3 lengths per line.
3. See Sheet No. SB14 for superstructure details and Bill of Material.

LIGHT POLE MOUNTED ON CONCRETE PARAPET



FILE NAME = 0810116-64D95-SB12-PARAP2.dgn	USER NAME = JACOBS	DESIGNED - KEB	REVISED -
		CHECKED - LJH	REVISED -
		DRAWN - KEB	REVISED -
		CHECKED - LJH	REVISED -
PLOT SCALE =			
PLOT DATE = 10/29/2010			

**STATE OF ILLINOIS
 DEPARTMENT OF TRANSPORTATION**

**SUPERSTRUCTURE DETAILS UNIT 2
 STRUCTURE NO. 081-0116**

SHEET NO. SB12 OF SB30 SHEETS

F.A.I. RTE.	SECTION	COUNTY	TOTAL SHEETS	SHEET NO.
74	(81-1)HBD	ROCK ISLAND	78	58
CONTRACT NO. 64D95				
ILLINOIS FED. AID PROJECT				