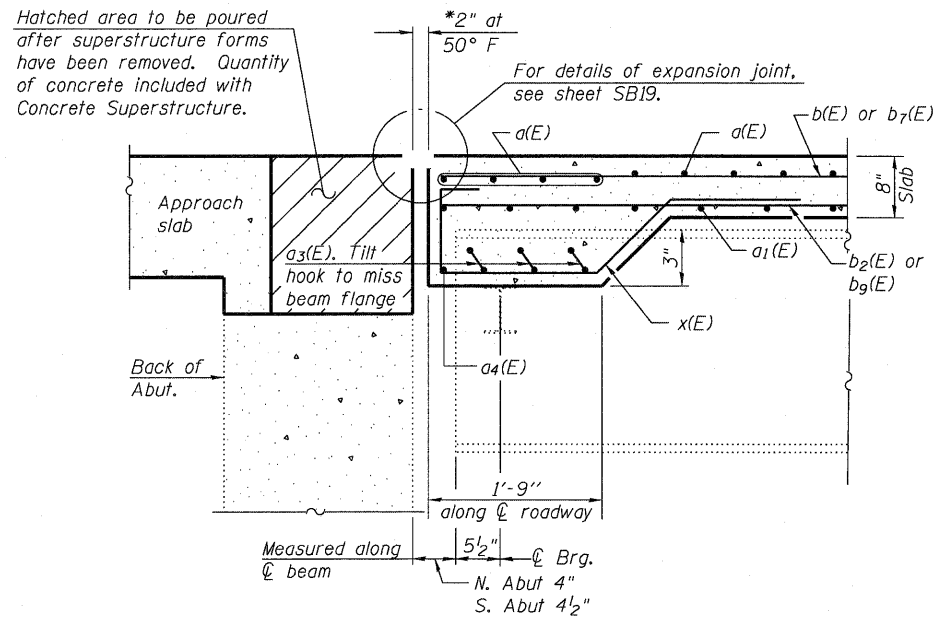


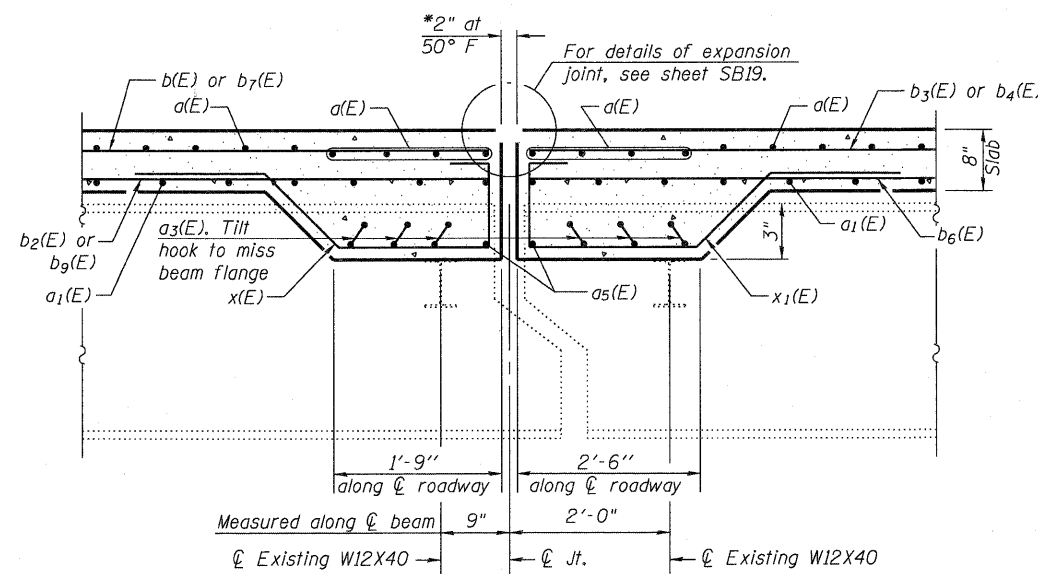
**SUPERSTRUCTURE
BILL OF MATERIAL**

Bar	No.	Size	Length	Shape
a(E)	779	#5	25'-1"	—
a ₁ (E)	606	#5	24'-6"	—
a ₂ (E)	705	#6	6'-6"	—
a ₃ (E)	54	#5	7'-7"	—
a ₄ (E)	2	#5	24'-2"	—
a ₅ (E)	12	#5	6'-5"	—
a ₆ (E)	150	#6	10'-7"	—
a ₇ (E)	32	#5	2'-0"	—
a ₈ (E)	1196	#4	3'-0"	—
b(E)	145	#5	27'-10"	—
b ₁ (E)	26	#6	39'-9"	—
b ₂ (E)	144	#5	23'-9"	—
b ₃ (E)	203	#5	30'-3"	—
b ₄ (E)	52	#6	35'-7"	—
b ₅ (E)	26	#6	41'-10"	—
b ₆ (E)	192	#5	26'-11"	—
b ₇ (E)	130	#5	29'-3"	—
b ₈ (E)	24	#6	41'-7"	—
b ₉ (E)	126	#5	24'-11"	—
b ₁₀ (E)	6	#5	24'-9"	—
b ₁₁ (E)	6	#5	24'-9"	—
b ₁₂ (E)	24	#5	24'-2"	—
b ₁₃ (E)	96	#4	27'-2"	—
d(E)	897	#5	5'-7"	—
d ₁ (E)	897	#5	7'-5"	—
d ₂ (E)	3	#6	4'-5"	—
d ₃ (E)	5	#6	7'-7"	—
d ₄ (E)	5	#5	6'-4"	—
d ₅ (E)	6	#5	3'-3"	—
e(E)	42	#4	16'-4"	—
e ₁ (E)	32	#4	10'-5"	—
e ₂ (E)	42	#4	18'-0"	—
e ₃ (E)	4	#4	25'-10"	—
e ₄ (E)	4	#4	28'-4"	—
e ₅ (E)	4	#8	27'-5"	—
e ₆ (E)	4	#8	10'-5"	—
e ₇ (E)	4	#8	29'-11"	—
e ₈ (E)	32	#4	6'-5"	—
e ₉ (E)	64	#4	8'-11"	—
e ₁₀ (E)	84	#4	19'-8"	—
e ₁₁ (E)	32	#4	10'-8"	—
e ₁₂ (E)	12	#4	21'-3"	—
e ₁₃ (E)	4	#8	6'-5"	—
e ₁₄ (E)	8	#8	8'-11"	—
e ₁₅ (E)	8	#8	32'-6"	—
e ₁₆ (E)	4	#8	10'-8"	—
e ₁₇ (E)	21	#4	19'-0"	—
e ₁₈ (E)	16	#4	11'-1"	—
e ₁₉ (E)	21	#4	17'-1"	—
e ₂₀ (E)	21	#4	15'-2"	—
e ₂₁ (E)	2	#4	29'-10"	—
e ₂₂ (E)	2	#4	27'-0"	—
e ₂₃ (E)	2	#4	24'-2"	—
e ₂₄ (E)	2	#8	31'-5"	—
e ₂₅ (E)	2	#8	11'-1"	—
e ₂₆ (E)	2	#8	28'-7"	—
e ₂₇ (E)	2	#8	25'-9"	—
x(E)	84	#5	6'-4"	—
x ₁ (E)	42	#5	7'-1"	—
Reinforcement Bars, Epoxy Coated	Pound	104,850		
Concrete Superstructure	Cu. Yd.	401.2		



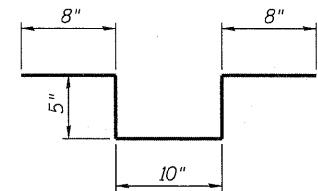
SECTION A-A

* Dimensions are based on a Rolled Rail Strip Seal Joint. If the Contractor elects to use the Welded Rail Strip Seal Joint, deck dimensions may require adjustments to satisfy the details on Base Sheet E-J-SSJ.

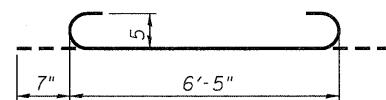


SECTION B-B

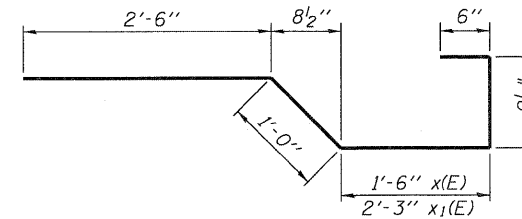
* Dimensions are based on a Rolled Rail Strip Seal Joint. If the Contractor elects to use the Welded Rail Strip Seal Joint, deck dimensions may require adjustments to satisfy the details on Base Sheet E-J-SSJ.



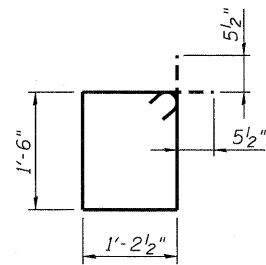
BAR a₈(E)



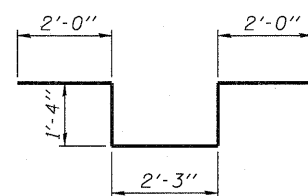
BAR a₃(E)



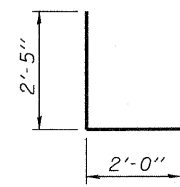
BAR x(E) & BAR x₁(E)



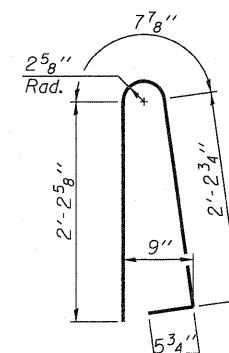
BAR d₄(E)



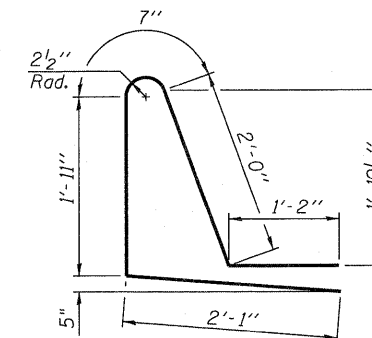
BAR d₃(E)



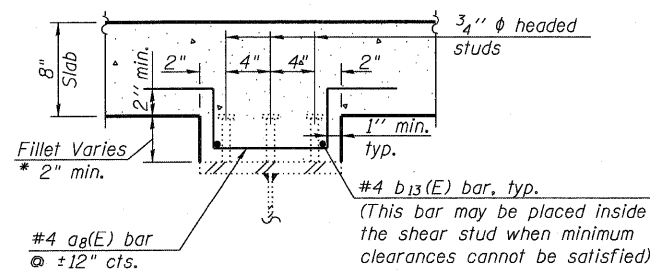
BAR d₂(E)



BAR d(E)

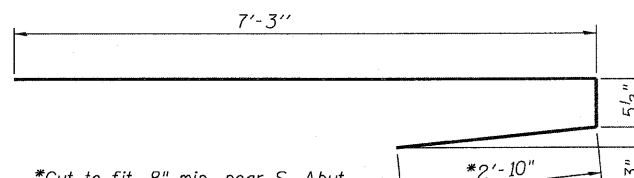


BAR d₁(E)



FILLET REINFORCEMENT SECTION

* Install a₆(E) and b₁₃(E) bars where fillet height exceeds 2".



BAR a₆(E)

* Cut to fit. 8" min. near S. Abut.