

SECTION A-A

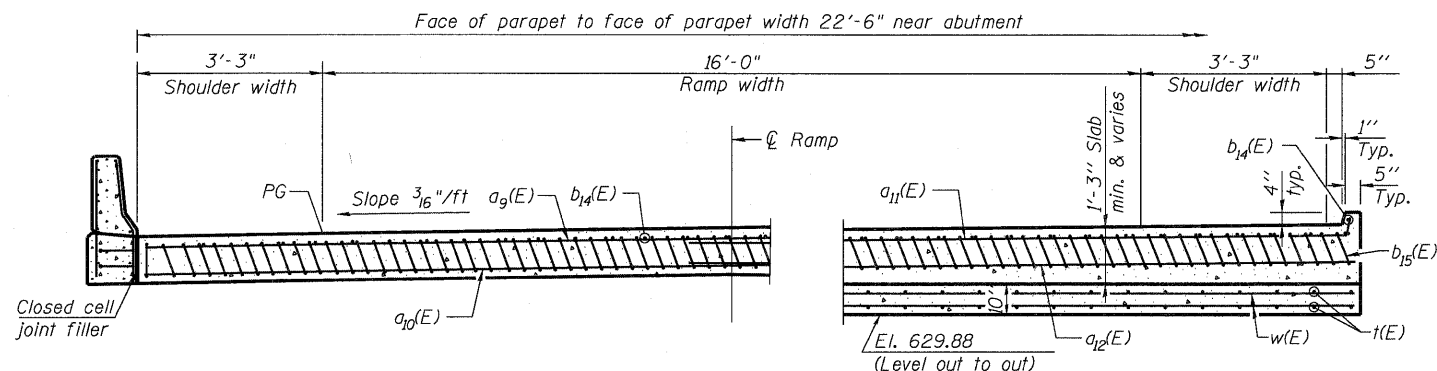
**NOTES:**

See sheet SB15 of SB30 for Plan View.  
 Approach slab and parapet concrete shall be paid for as Concrete Superstructure.  
 Approach footing concrete shall be paid for as Concrete Structures.  
 Reinforcement shall be paid for as Reinforcement Bars, Epoxy Coated.  
 For v(E) bar details, see sheet SB26 of SB30.  
 The approach footing maximum applied service bearing pressure (Qmax) = 2.0 ksf.  
 For bar splicer details, see sheet SB30 of SB30.  
 Cost of closed cell joint filler and of excavation for approach footing included with Concrete Structures.  
 For additional parapet details, see sheet SB26 of SB30.  
 Contractor shall carefully remove existing approach slab and protect all existing v bars for connecting new approach slab to existing abutment.  
 Any damaged v bars shall be replaced at the Contractor's expense and as the Engineer directs.

**NORTH APPROACH  
 BILL OF MATERIAL**

Bar	No.	Size	Length	Shape
a9(E)	10	#4	22'-2"	—
a10(E)	19	#5	22'-2"	—
a11(E)	15	#4	24'-3"	—
a12(E)	27	#5	24'-0"	—
b14(E)	25	#4	29'-8"	—
b15(E)	58	#9	29'-9"	—
t(E)	50	#4	9'-8"	—
w(E)	40	#5	24'-0"	—
Concrete Superstructure			Cu. Yd.	32
Concrete Structures			Cu. Yd.	8
Reinforcement Bars, Epoxy Coated			Pound	9200

\* Tilt #9 b15(E) bars as required to maintain clearance.  
 \*\*\* Cost included with Concrete Superstructure.

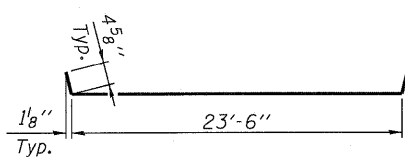


NEAR ABUTMENT

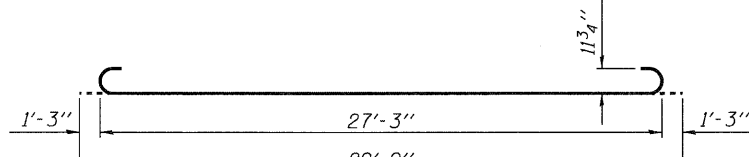
AT APPROACH FOOTING

**SECTION B-B**

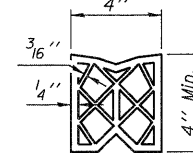
(See Plan for dimensions not shown)  
 Note: See sheet SB7 for grade elevations.



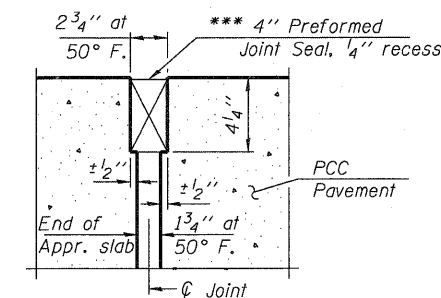
BAR a11(E)



BAR b15(E)



PREFORMED JOINT SEAL



DETAIL A