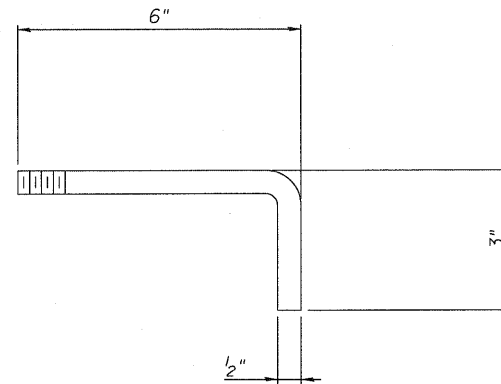


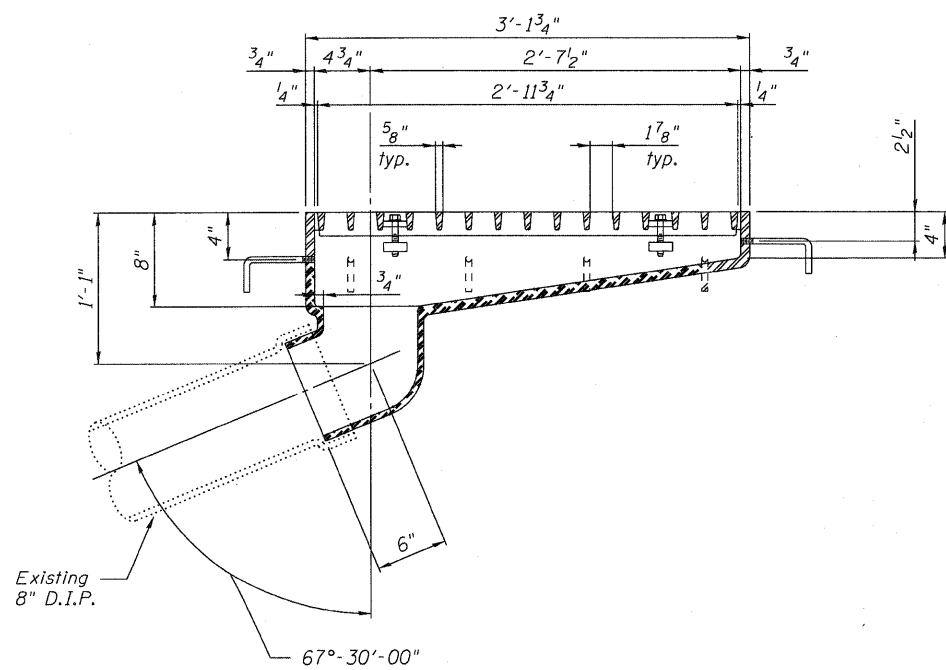
PLAN



ANCHOR STUD DETAIL

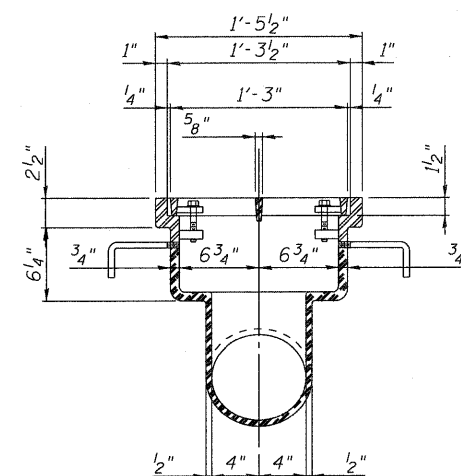
Notes:

All cast iron parts shall be gray iron conforming to the requirements of AASHTO M 105, Class 35B.
Bolts, anchor studs, washers and nuts shall conform to the requirements of ASTM A 307 and shall be galvanized according to AASHTO M 232.
As an alternate, bolts, anchor studs, washers and nuts may be stainless steel according to Article 1006.29(d) of the Standard Specifications.
Structural steel weldments of equal sections and of the same configuration may be substituted for the cast iron scupper frame. Fillet or full penetration welds shall be used for the weldments. Details shall be submitted to the Engineer for approval. Structural steel weldments shall not be substituted for the cast iron scupper grate. Structural steel frames and downspouts shall be galvanized according to AASHTO M111.
The Contractor shall take appropriate measures to assure that Protective Coat is not applied to the scupper.
Cost of the Grate, Frame, Anchor Studs, Bolts, Washers and Nuts including complete installation of the scupper shall be paid for at the contract unit price each for Drainage Scupper, Special.



SECTION A-A

See sheet SB8 for scupper location relative to parapet.



SECTION B-B

BILL OF MATERIAL

ITEM	UNIT	QUANTITY
Drainage Scupper, Special	Each	4

FILE NAME = 0810116-64095-SB20-DS.dgn

JACOBS

USER NAME = JACOBS

PLOT SCALE =

PLOT DATE = 10/28/2010

DESIGNED - MBO

CHECKED - KEB

DRAWN - FJD

CHECKED - KEB

REVISED -

REVISED -

REVISED -

REVISED -

STATE OF ILLINOIS
DEPARTMENT OF TRANSPORTATION

DRAINAGE SCUPPER
STRUCTURE NO. 081-0116

SHEET NO. SB20 OF SB30 SHEETS

F.A.I. RTE.	SECTION	COUNTY	TOTAL SHEETS	SHEET NO.
74	(81-1HB)D	ROCK ISLAND	78	66
				CONTRACT NO. 64D95
ILLINOIS FED. AID PROJECT				