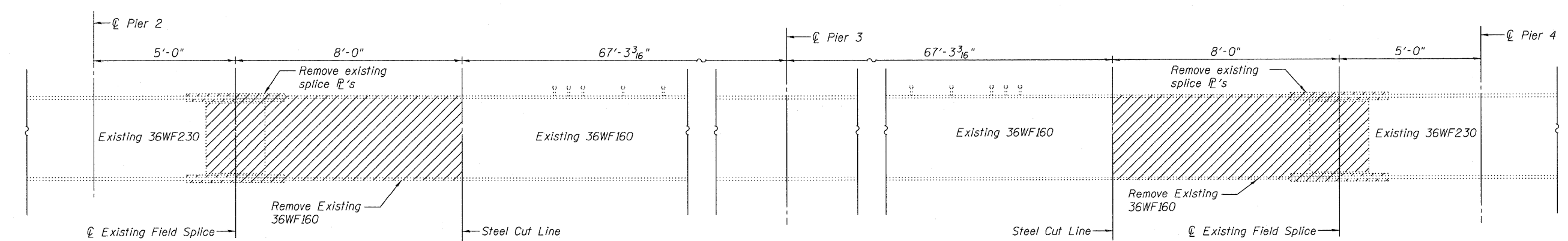
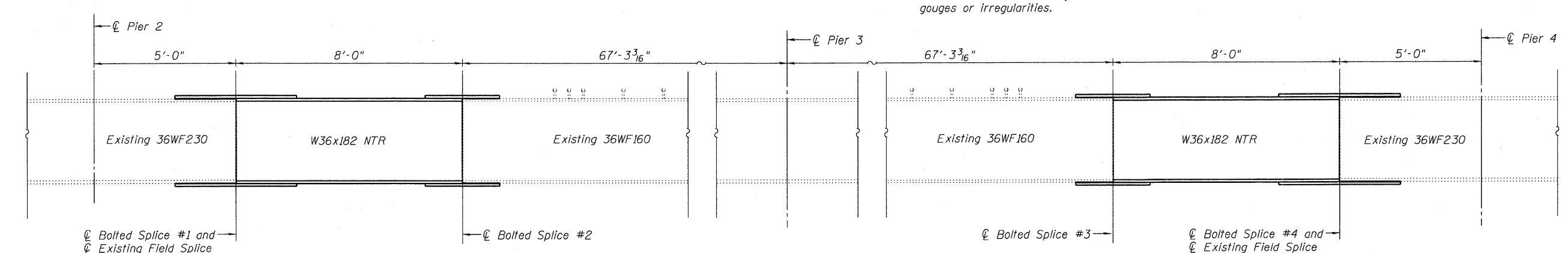


PLAN



EXISTING ELEVATION

All cut edges are to be ground smooth and be free of any nicks, gouges or irregularities.



PROPOSED ELEVATION

LEGEND

Structural Steel Removal

NOTES:

- The cost of field drilling required for installation of the steel members is included with Furnishing and Erecting Structural Steel.
- All structural steel shall conform to AASHTO Classification M270 Gr. 50, unless otherwise noted.
- Load carrying components designated "NTR" shall conform to the Supplemental Requirements for Notch Toughness, Zone 2.
- See Sheet Number SB22 for Bolted Splice Details.

BILL OF MATERIAL

Item	Unit	Total
Structural Steel Removal	Pound	14,000
Furnishing and Erecting Structural Steel	L. Sum	1
Temporary Shoring and Cribbing	L. Sum	1