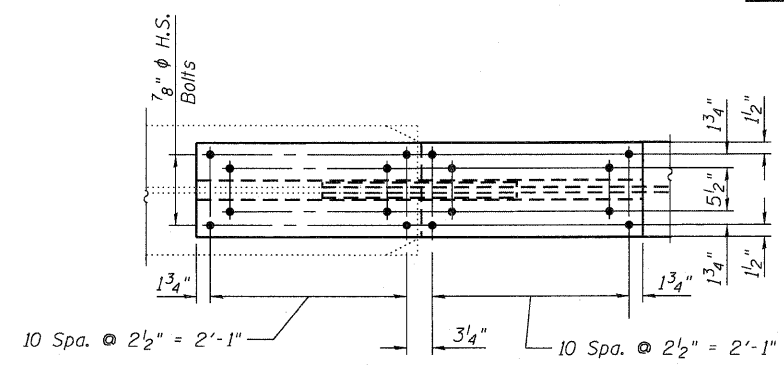
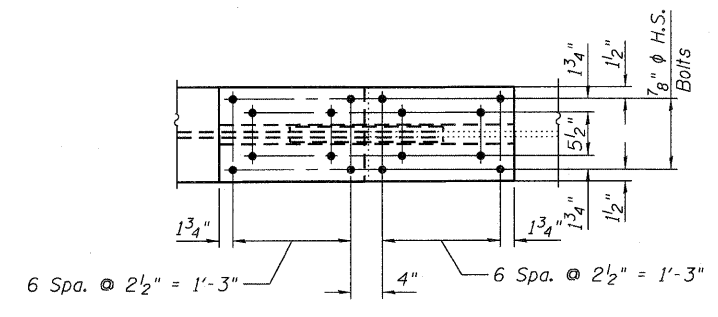


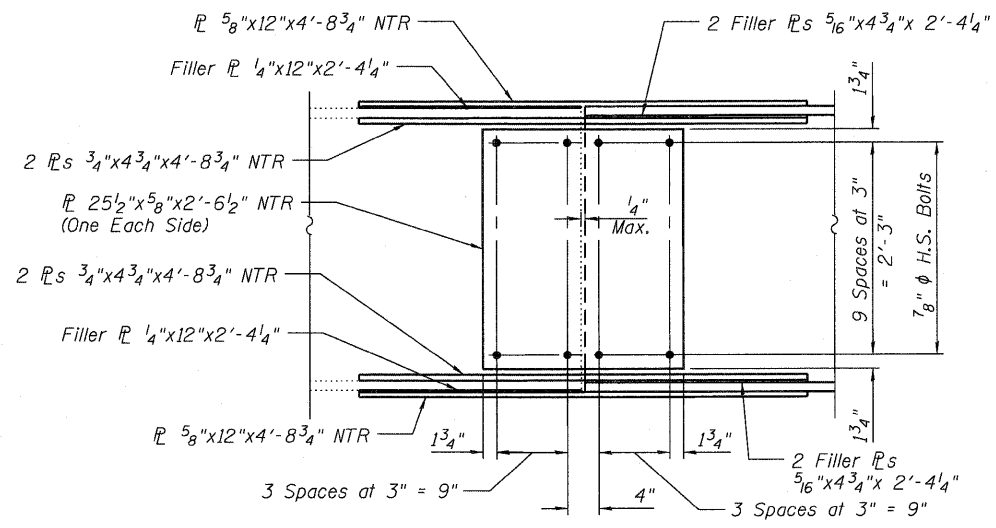
BEAM ELEVATION



PLAN



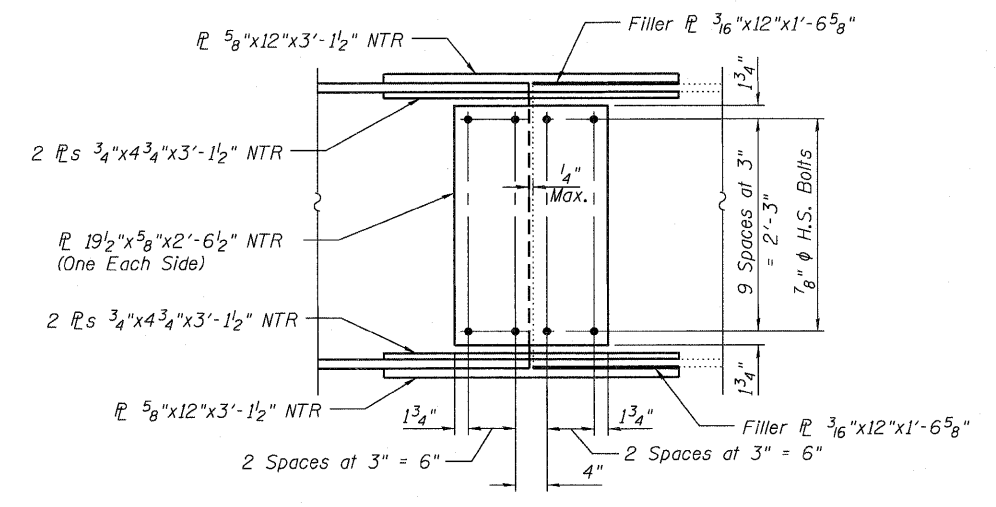
PLAN



ELEVATION

BOLTED SPLICE #1
(4 Required)
BOLTED SPLICE #4 (Opposite Hand)
(4 Required)

Use existing bolt holes as template to drill holes in new plates.



ELEVATION

BOLTED SPLICE #2
(4 Required)
BOLTED SPLICE #3 (Opposite Hand)
(4 Required)

Use holes in new plates as template to field drill holes in existing beam.

JACOBS FILE NAME = 0810116-64D95-SB22-STEEL2.dgn USER NAME = JACOBS PLOT SCALE = PLOT DATE = 10/28/2010	DESIGNED - KEB	REVISOR -	STATE OF ILLINOIS DEPARTMENT OF TRANSPORTATION	STRUCTURAL STEEL DETAILS II STRUCTURE NO. 081-0116 SHEET NO. SB22 OF SB30 SHEETS	F.A.I. RTE. 74	SECTION (81-IHBD)	COUNTY ROCK ISLAND	TOTAL SHEETS 78	SHEET NO. 68
	CHECKED - LM	REVISOR -			CONTRACT NO. 64D95	ILLINOIS FED. AID PROJECT			
	DRAWN - KEB	REVISOR -							
	CHECKED - LM	REVISOR -							