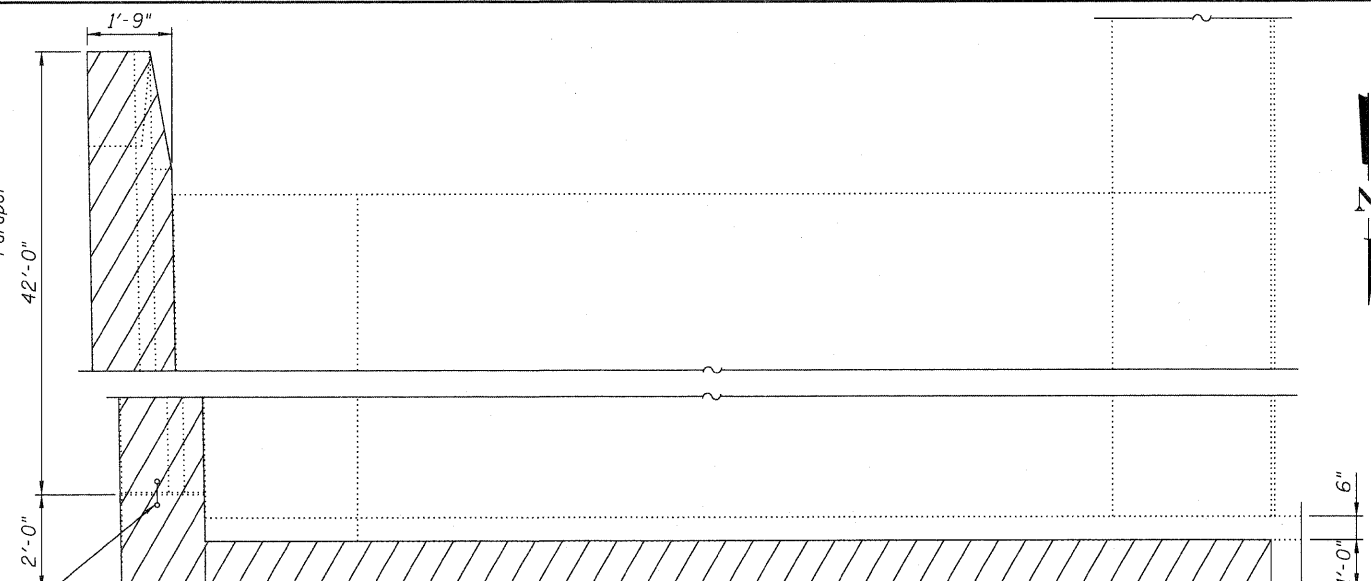
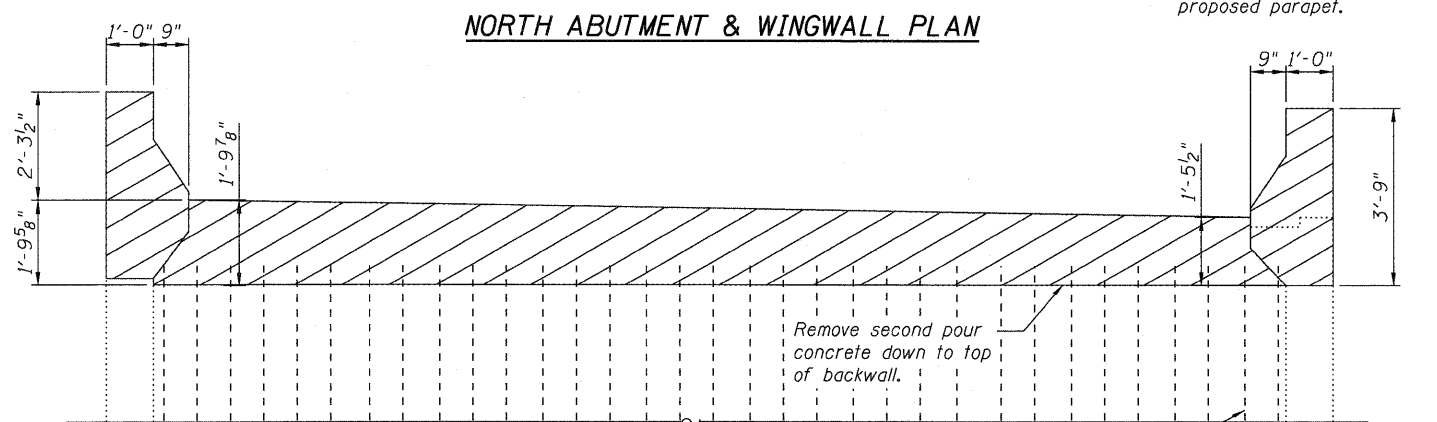


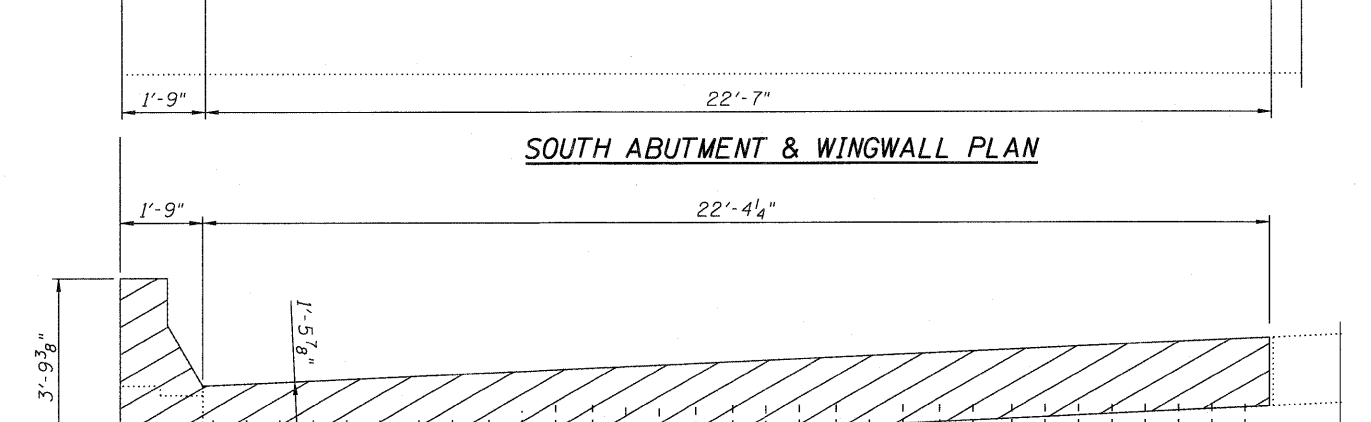
NORTH ABUTMENT & WINGWALL PLAN



SOUTH ABUTMENT & WINGWALL PLAN



NORTH ABUTMENT ELEVATION

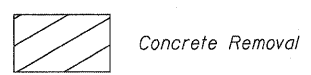


SOUTH ABUTMENT ELEVATION

**ABUTMENT AND PARAPET REMOVAL
BILL OF MATERIAL**

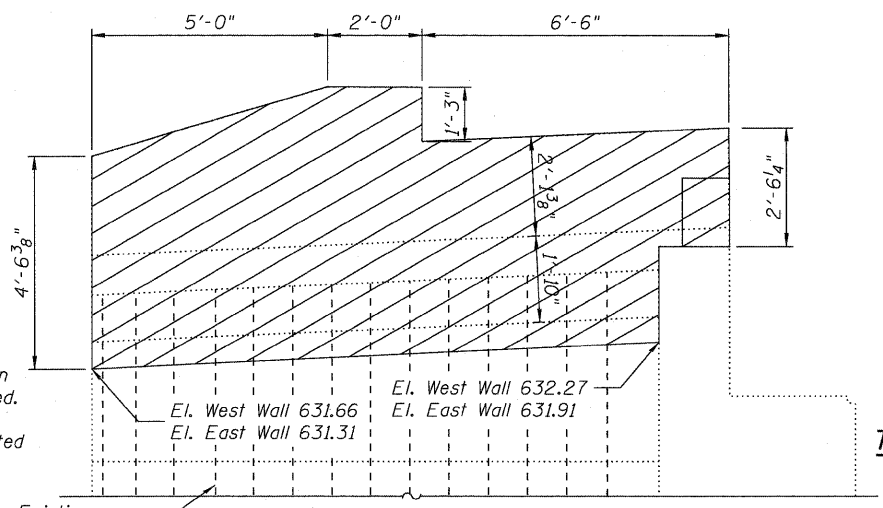
| | | |
|------------------|---------|----|
| Concrete Removal | Cu. Yd. | 19 |
|------------------|---------|----|

LEGEND



NOTES:

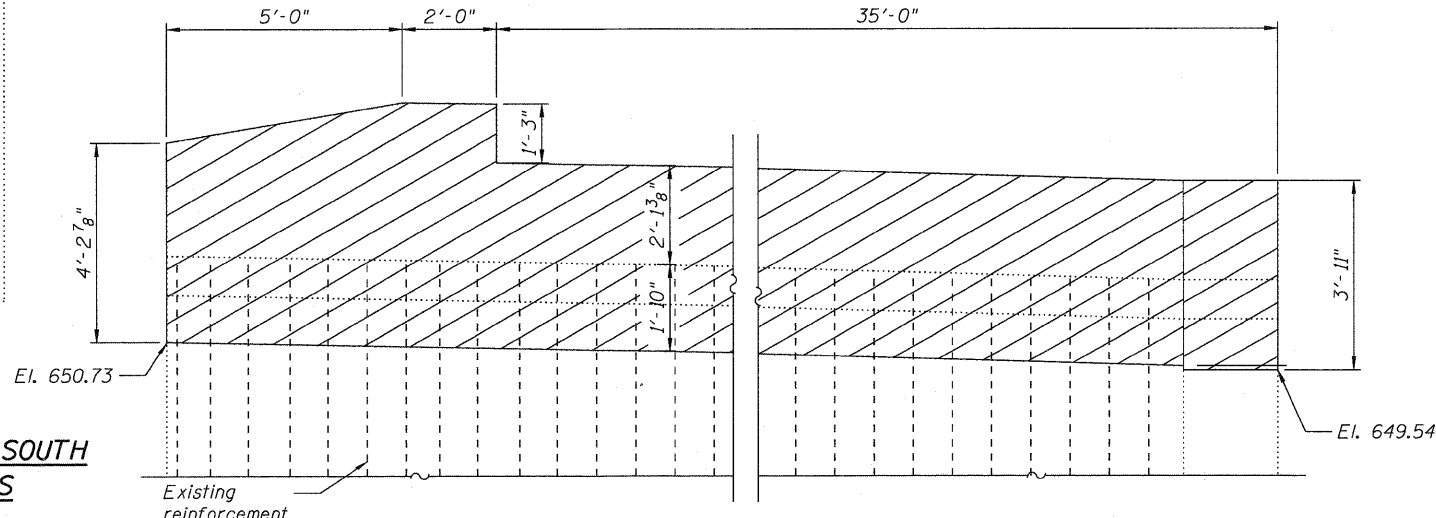
- Existing reinforcement extending in the removal area shall be incorporated in the new work.
- Use elevations for removal. They show amount of wing wall to remain for proposed parapet to be installed. Vertical dimensions shown for information only. They were extracted from existing drawings and TS&L.
- Trim vertical bars to end below proposed approach slab.



NORTH ABUTMENT WINGWALL ELEVATION

(Looking East, West Wing Wall Opp. Hand)

**SECTION
THRU NORTH & SOUTH
ABUTMENTS**



SOUTH ABUTMENT WINGWALL ELEVATION

(Looking East)