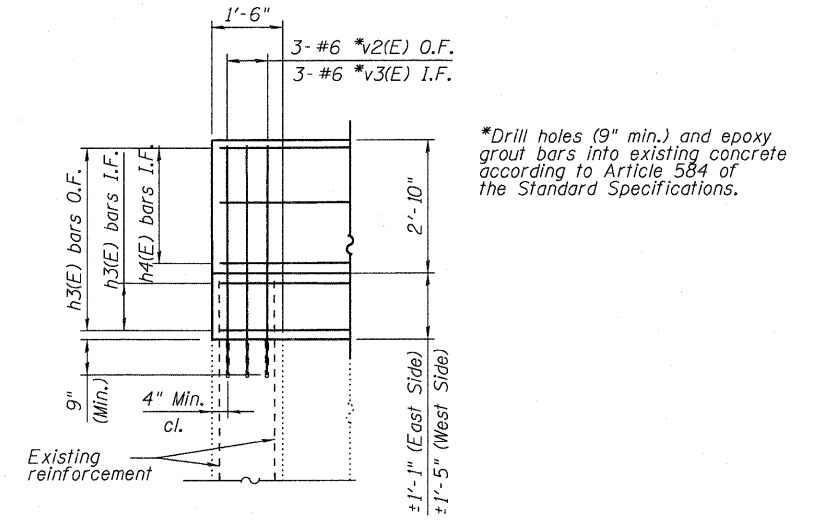
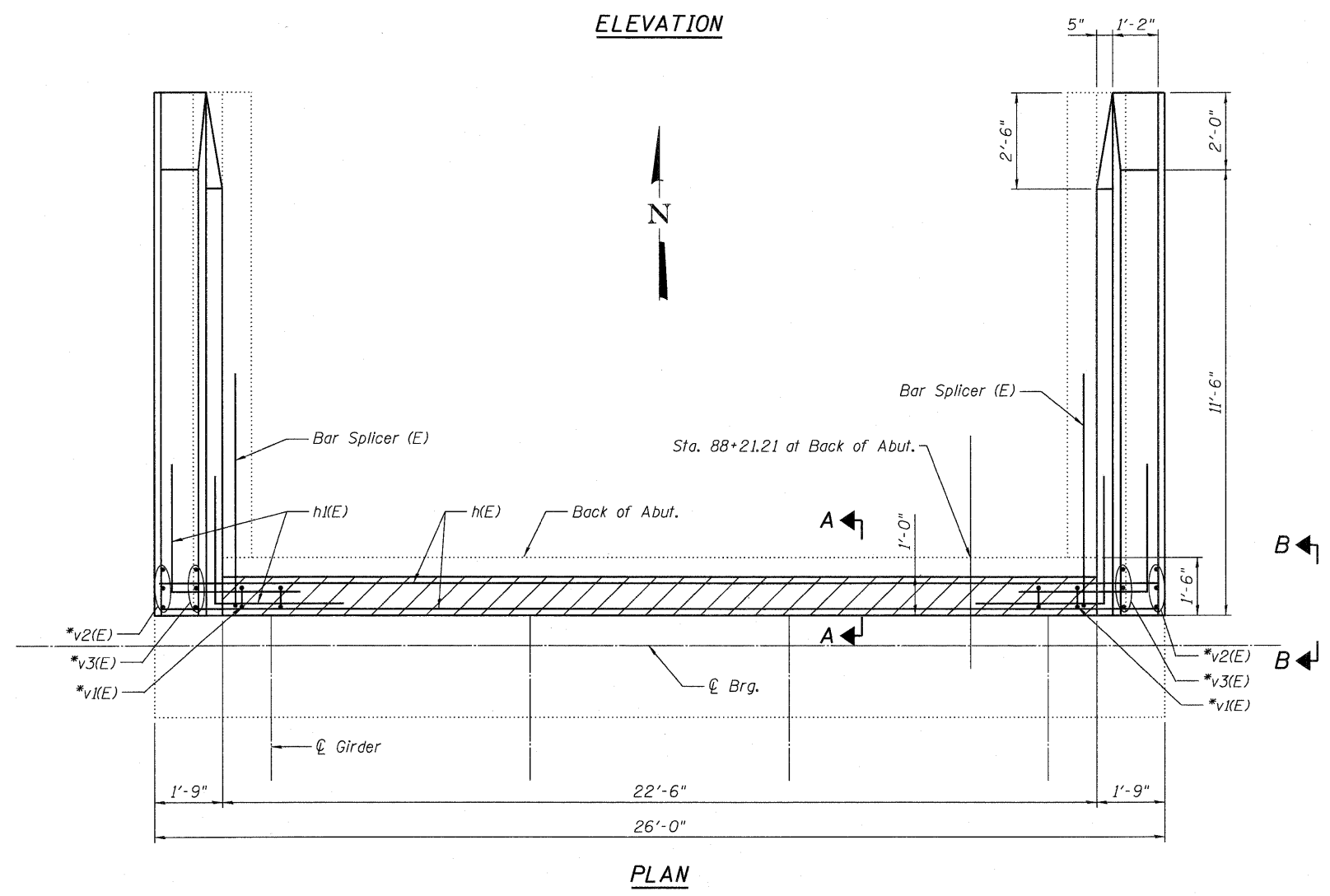


SECTION THRU ABUTMENT
SECTION A-A



VIEW B-B

- NOTES:**
1. Hatched area to be poured after superstructure false work has been removed. Quantity of Concrete included in Concrete Superstructure.
 2. Existing reinforcement shall be cleaned and incorporated into the new construction. Cost included with Concrete Removal.

FILE NAME = 0116.NORTH.ABUT1.dgn	USER NAME = TERRA	DESIGNED - OY	REVISED -	STATE OF ILLINOIS DEPARTMENT OF TRANSPORTATION	NORTH ABUTMENT DETAILS STRUCTURE NO. 081-0116	F.A.P. RTE. 74	SECTION (81-1HB)	COUNTY ROCK ISLAND	TOTAL SHEETS 78	SHEET NO. 71
TERRA ENGINEERING LTD.	PLOT SCALE =	CHECKED - JB	REVISED -			CONTRACT NO. 64D95				
288 N. OHIO ST., FORT WORTH, TX 76104	PLOT DATE = 10/28/2010	DATE -	REVISED -			SHEET NO. SB25 OF SB30 SHEETS				
			ILLINOIS FED. AID PROJECT							