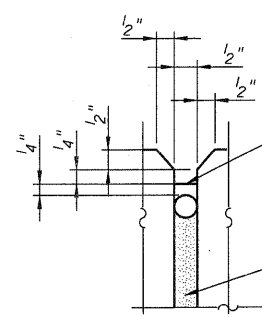


**SOUTH WINGWALL ELEVATION**  
(Looking East)



Non-staining gray one component non-sag elastomeric gun grade polyurethane sealant meeting the requirements of ASTM C-902, Type S, Grade NS, Class 24, Use T with a 5/8" bucket rod.

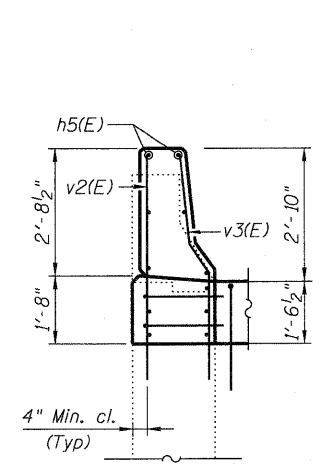
1/2" Preformed Self-Expanding Cork Joint Filler according to Article 1051.07 of the Std. Spec. Cost included with Concrete Structure.

**DETAIL E**

**SOUTH ABUTMENT & WINGWALL**

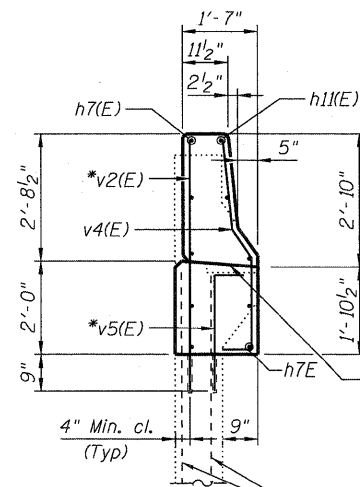
**BILL OF MATERIAL**

Bar	No.	Size	Length	Shape
h1(E)	4	#5	4'-0"	L
h5(E)	10	#4	1'-9"	—
h7(E)	8	#4	20'-8"	—
h9(E)	4	#6	22'-3"	—
h10(E)	10	#4	22'-8"	—
h11(E)	3	#4	20'-8"	—
v(E)	24	#6	2'-10"	L
v1(E)	23	#5	4'-5"	L
v2(E)	47	#6	6'-1"	L
v3(E)	3	#6	5'-1"	L
v4(E)	44	#6	5'-6"	L
v5(E)	44	#6	3'-3"	L
Concrete Structures			Cu. Yd.	11
Reinforcement Bars, Epoxy Coated			Pound	1750



**SECTION A-A**

Embed v2 and v3 bars sufficiently to provide 2" clearance from top of barrier wall

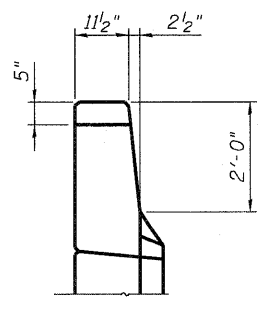


**SECTION B-B**

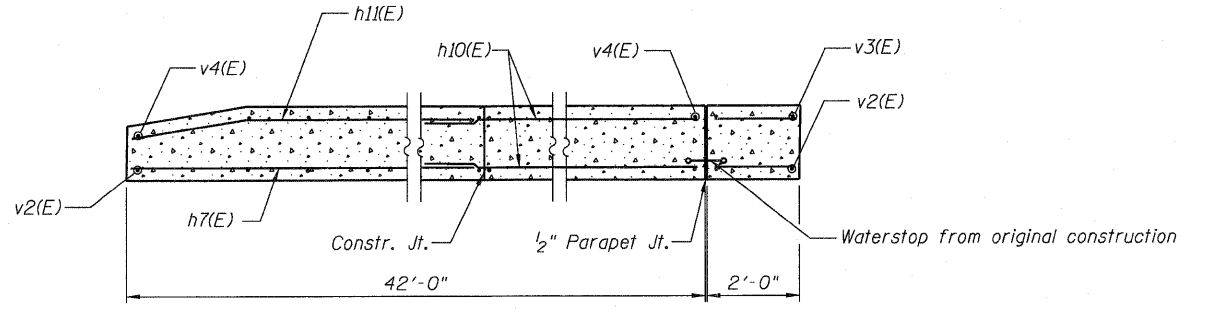
Construction jt. with 3/4" notch

\*Drill holes (9" min.) and epoxy grout bars into existing concrete according to Article 584 of the Standard Specifications.

Existing reinforcement



**SECTION C-C**



**SECTION D-D**

**NOTE:**  
Existing reinforcement shall be cleaned and incorporated into the new construction. Cost included with Concrete Removal.