


SOUTH SLOPE WALL REPAIR PLAN

LEGEND

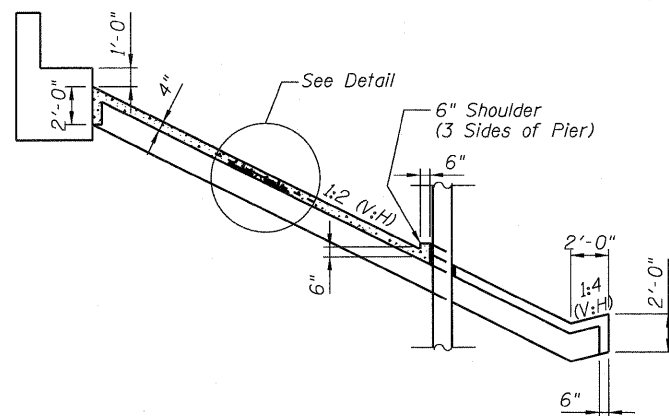
 - Indicates Area of Slope wall Repair

NOTES:

- Slope wall repairs shall conform to the details in this plan and the Special Provision for "Slope Wall Repair".

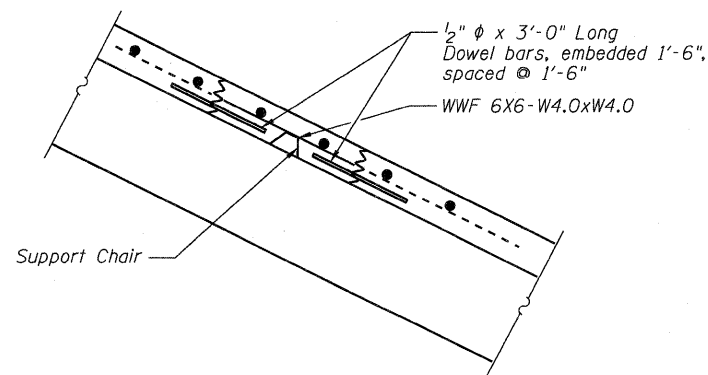
Slope wall shall be reinforced with welded wire fabric, 6 in. x 6 in. - W4.0xW4.0, weighing 58 lbs. per 100 sq. ft.

Actual quantity of slope wall repair will be determined in the field by the Engineer. Volume of CLSM will also be determined in the field.
- Slope Wall Slurry Pumping shall be completed in conformance with the Special Provision "Slope Wall Slurry Pumping".
- Near the south abutment 2 panels of slope wall were found at the bottom of a 3 foot deep void during the inspection. The void varied in depth. It appeared to extend to the abutment and to extend at least 20 feet downhill. The remainder of the slope wall was cracked and individual segments were pitched at different angles. The stability and load carrying capacity of various segments was unknown. The Contractor shall proceed with caution in all his operations.
- See Roadway Plans for pay items related to video taping and possible replacement of CMT and RCP. The locations of replacement will affect the location of slope wall removal.
- After the video of corrugated metal tubes (CMT) has been reviewed by the Engineer, the Contractor shall establish a plan of action in consultation with the Resident Engineer. It is anticipated that some of the CMT will need to be replaced and some of it repaired. Replacing CMT will require safely removing slope wall for the width required to safely repair or replace CMT at locations that will be identified when the video is reviewed. If any of the voids reach the columns, wrap each exposed column with 2" thick preformed joint filler all around from ground line to top face of slope wall.
- It is anticipated that CLSM will be included in the plan of action described in Note 5 for addressing the voids under the slope wall.
- After the CLSM has set, 1/2 inch diameter dowel bars shall be drilled and grouted into the edge of each opening at 1'-6" spacing. Then the welded wire fabric shall be supported to maintain it's profile 2" below the finished elevation of the slope wall. Then the slope wall be cast in conformance with the requirements of the Standard Specifications Section 511.
Quantity of slope wall repair was based upon expectation that void under slope wall may be extensive. Only 2 panels had collapsed at the time of inspection, the actual repair quantities may vary greatly. They will be established in the plan of action.



SLOPE WALL REPAIR ELEVATION

If slope wall repair extends to pier construct curb around pier.



DETAIL FOR SLOPE WALL REPAIR

SLOPE WALL BILL OF MATERIAL

Slope Wall Repair	Sq. Yd.	280
Slope Wall Slurry Pumping	Cu. Yd.	120