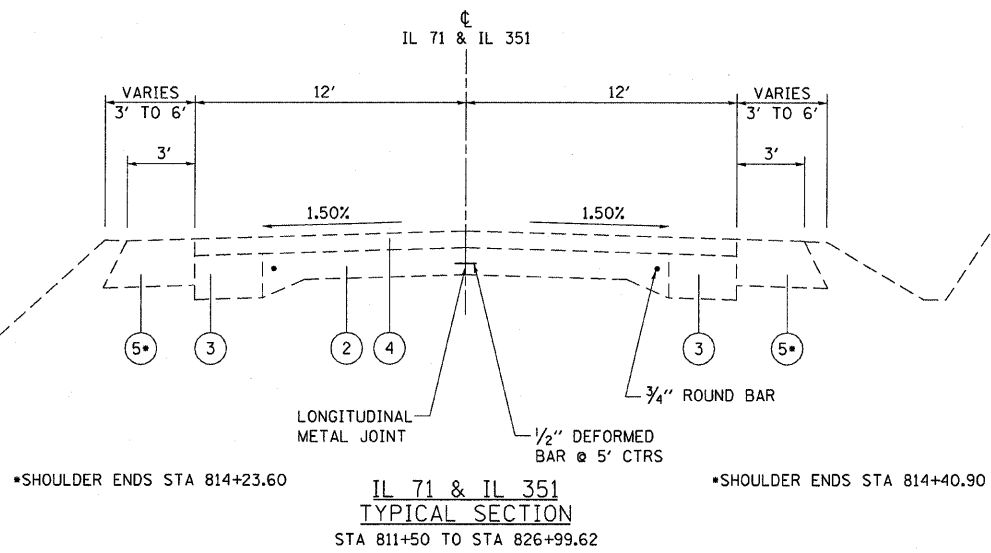
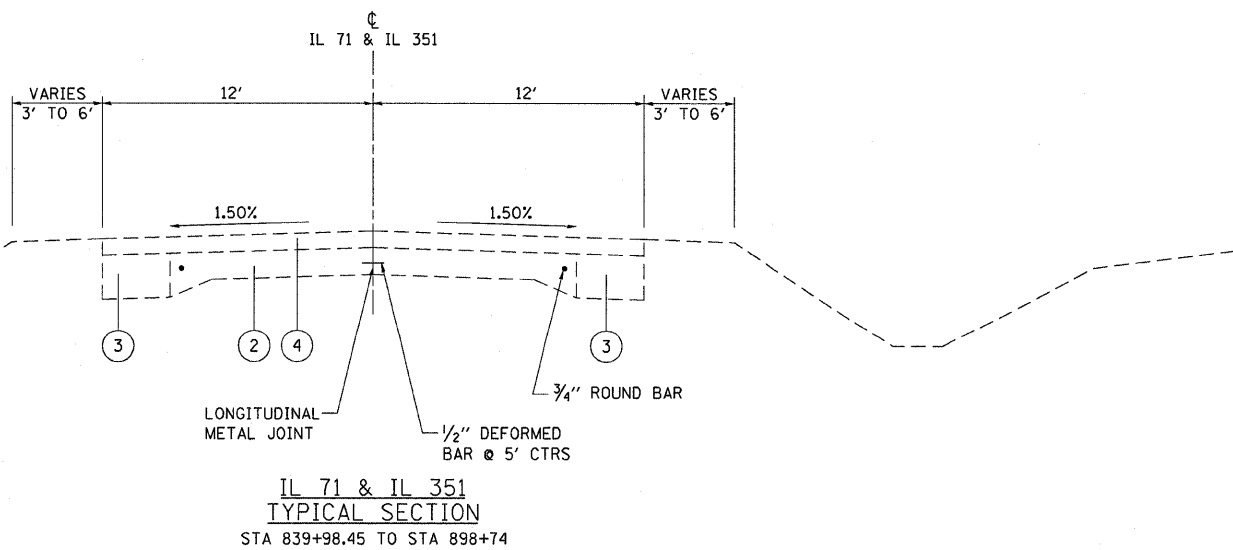
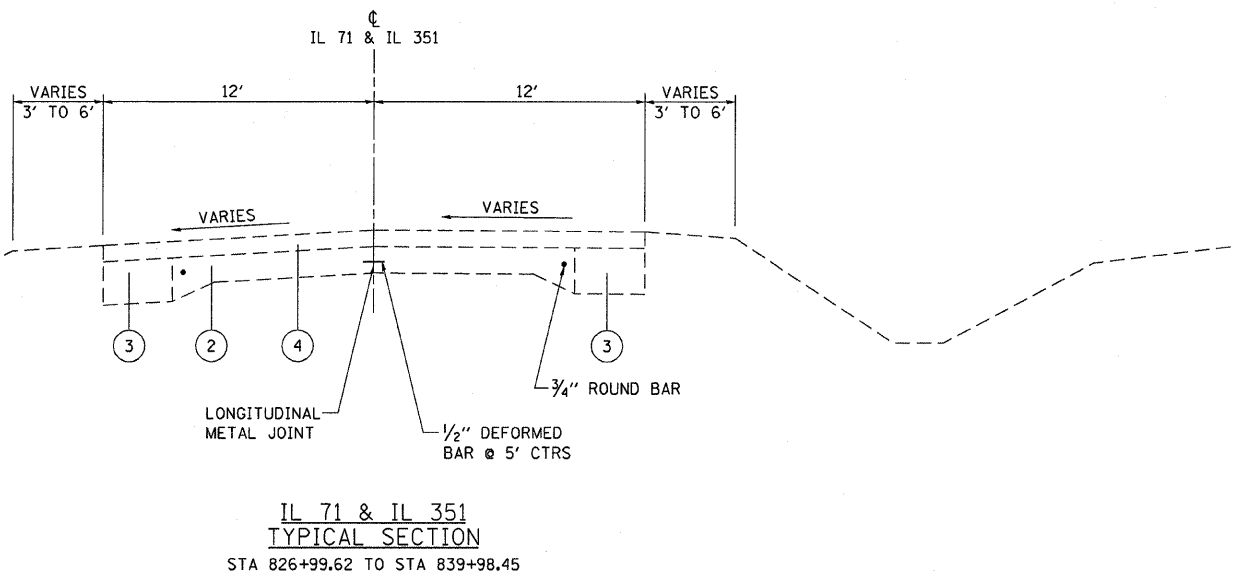


F.A.P. RTE.	SECTION	COUNTY	TOTAL SHEETS	SHEET NO.
619	70 RS-5 & I	LASALLE	214	6
STA.		TO STA.		
FED. ROAD DIST. NO. 3   ILLINOIS   FED. AID PROJECT				



- EXISTING LEGEND**
- ① EXISTING PCC PAVEMENT, 10"
  - ② EXISTING PCC PAVEMENT, 9 - 5/2- 9
  - ③ EXISTING BASE COURSE WIDENING
  - ④ EXISTING BITUMINOUS CONCRETE RESURFACING, VAR 4 1/4" - 9 1/4"
  - ⑤ EXISTING BITUMINOUS SHOULDERS, 8"
  - ⑥ EXISTING CONCRETE CURB AND GUTTER, TYPE B-6.12
  - ⑦ EXISTING CONCRETE CURB AND GUTTER, TYPE B-6.24
  - ⑧ EXISTING CONCRETE SIDEWALK



PAVEMENT CROSS SLOPES INDICATED ON THE EXISTING TYPICAL SECTIONS REFLECT PROPOSED CROSS SLOPES AND ARE INDICATED TO CONTROL BITUMINOUS SURFACE REMOVAL OPERATIONS

REVISIONS	
NAME	DATE

ILLINOIS DEPARTMENT OF TRANSPORTATION  
**EXISTING TYPICAL SECTIONS**  
FAP 619 (IL ROUTE 71/351)  
SECTION 70 RS-5 & I  
LASALLE COUNTY

DATE 6/03  
DRAWN BY RCB  
CHECKED BY JWS