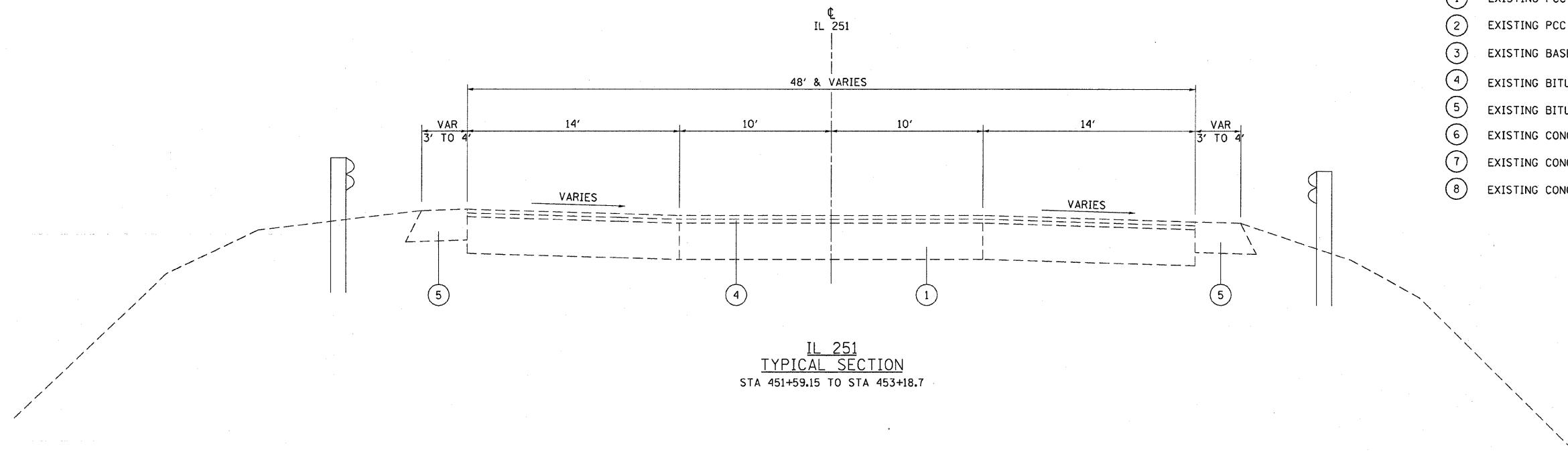


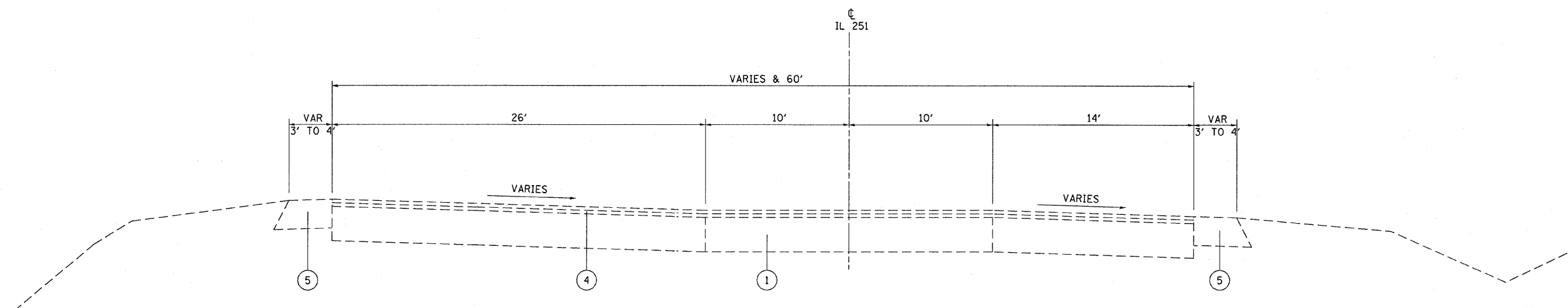
F.A.P. RTE.	SECTION	COUNTY	TOTAL SHEETS	SHEET NO.
619	TO RS-5 & I	LASALLE	2-14	8
STA.		TO STA.		
FED. ROAD DIST. NO. 3		ILLINOIS FED. AID PROJECT		

EXISTING LEGEND

- ① EXISTING PCC PAVEMENT, 10"
- ② EXISTING PCC PAVEMENT, 9 - 5/2- 9
- ③ EXISTING BASE COURSE WIDENING
- ④ EXISTING BITUMINOUS CONCRETE RESURFACING, VAR 4 1/4" - 9 1/4"
- ⑤ EXISTING BITUMINOUS SHOULDERS, 8"
- ⑥ EXISTING CONCRETE CURB AND GUTTER, TYPE B-6.12
- ⑦ EXISTING CONCRETE CURB AND GUTTER, TYPE B-6.24
- ⑧ EXISTING CONCRETE SIDEWALK



IL 251
TYPICAL SECTION
STA 451+59.15 TO STA 453+18.7



IL 251
TYPICAL SECTION
STA 453+65.1 TO STA 455+51.60

REVISIONS	
NAME	DATE

ILLINOIS DEPARTMENT OF TRANSPORTATION
EXISTING TYPICAL SECTIONS
FAP 619 (IL ROUTE 71/351)
SECTION TO RS-5 & I
LASALLE COUNTY
DRAWN BY RCB
CHECKED BY JWS
DATE 6/03