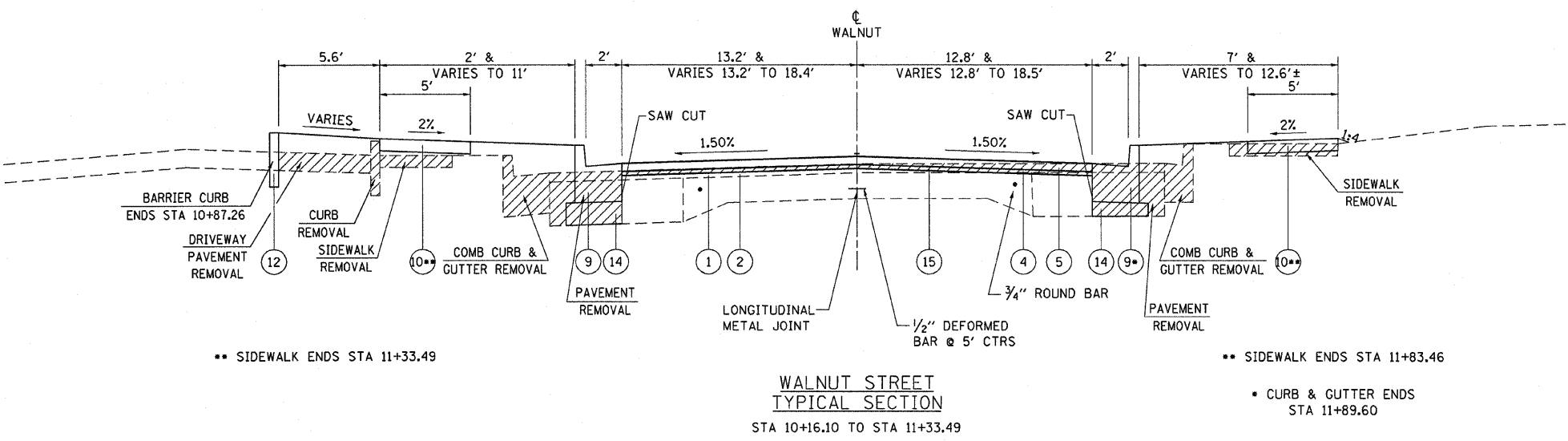
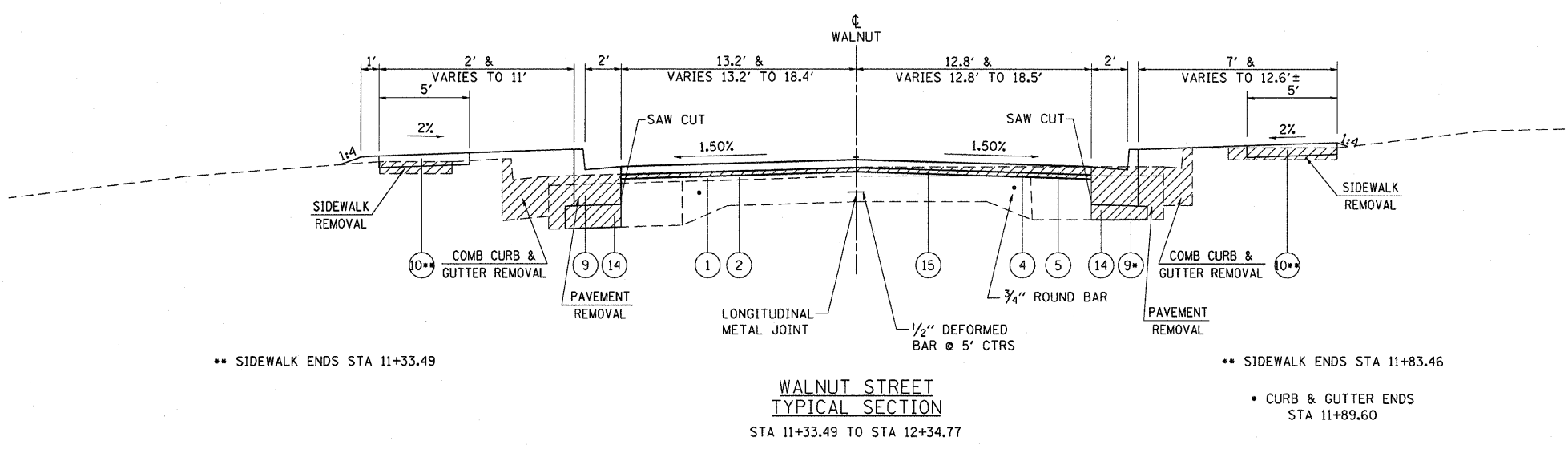


F.A.P. RTE.	SECTION	COUNTY	TOTAL SHEETS	SHEET NO.
619	70 RS-5 & I	LASALLE	214	18
STA.		TO STA.		
FED. ROAD DIST. NO. 3		ILLINOIS FED. AID PROJECT		



- PROPOSED LEGEND**
- ① PROPOSED BITUMINOUS MATERIALS (PRIME COAT)
 - ② PROPOSED AGGREGATE PRIME COAT
 - ③ PROPOSED HOT-MIX ASPHALT BASE COURSE, 10 1/2"
 - ④ PROPOSED LEVELING BINDER (MACHINE METHOD) N70, 3/4"
 - ⑤ PROPOSED HOT-MIX ASPHALT SURFACE COURSE, MIX "D", N70, 1 1/2"
 - ⑥ PROPOSED HOT-MIX ASPHALT SHOULDERS, 5 3/4"
 - ⑦ PROPOSED HOT-MIX ASPHALT SHOULDERS, 2 1/4" & VAR.
 - ⑧ PROPOSED AGGREGATE SHOULDERS, TYPE B
 - ⑨ PROPOSED COMBINATION CONCRETE CURB AND GUTTER, TYPE B-6.24
 - ⑩ PROPOSED PORTLAND CEMENT CONCRETE SIDEWALK, 4"
 - ⑪ PROPOSED STRIP REFLECTIVE CRACK CONTROL TREATMENT
 - ⑫ PROPOSED CONCRETE CURB, TYPE B
 - ⑬ PROPOSED PAVEMENT MARKING
 - ⑭ PROPOSED SUB-BASE GRANULAR MATERIAL, TYPE A, 4" & VARIES
 - ⑮ HOT-MIX ASPHALT SURFACE REMOVAL, 1 1/2" & VAR

REMOVAL ITEMS



REVISIONS		ILLINOIS DEPARTMENT OF TRANSPORTATION
NAME	DATE	
		PROPOSED TYPICAL SECTIONS FAP 619 (IL ROUTE 71/351) SECTION 70 RS-5 & I LASALLE COUNTY DRAWN BY RCB CHECKED BY JWS DATE 6/03