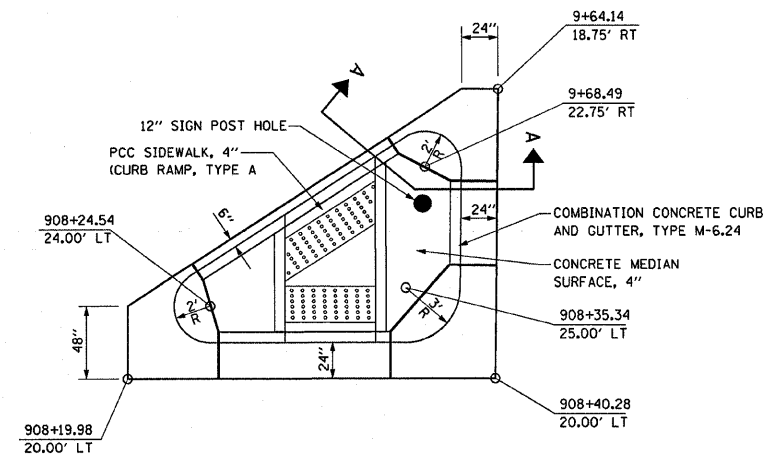
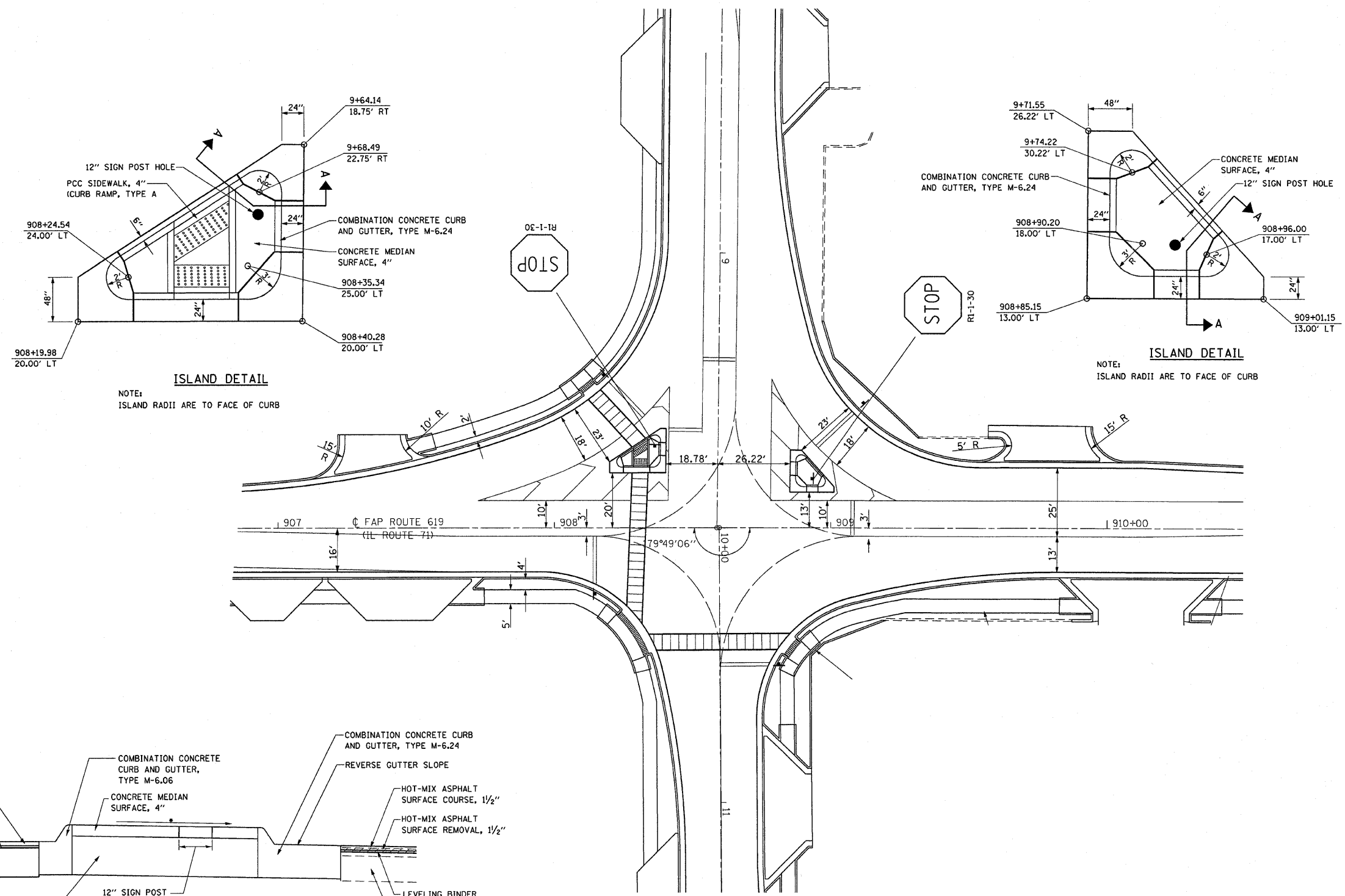
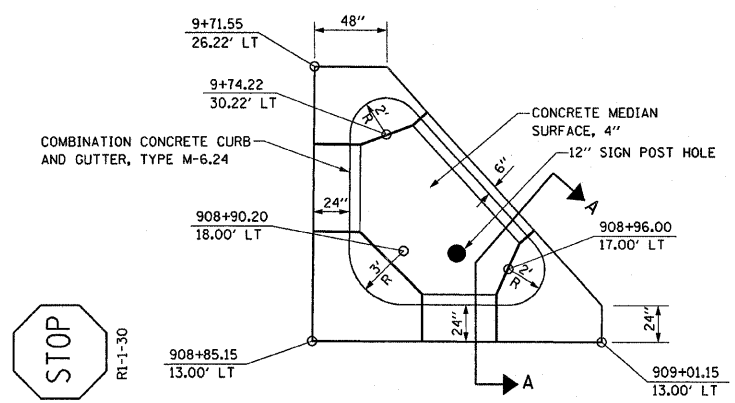


F.A.P. RTE.	SECTION	COUNTY	TOTAL SHEETS	SHEET NO.
619	70 RS-5 & I	LASALLE	214	90
STA.		TO STA.		
FED. ROAD DIST. NO. 3		ILLINOIS FED. AID PROJECT		



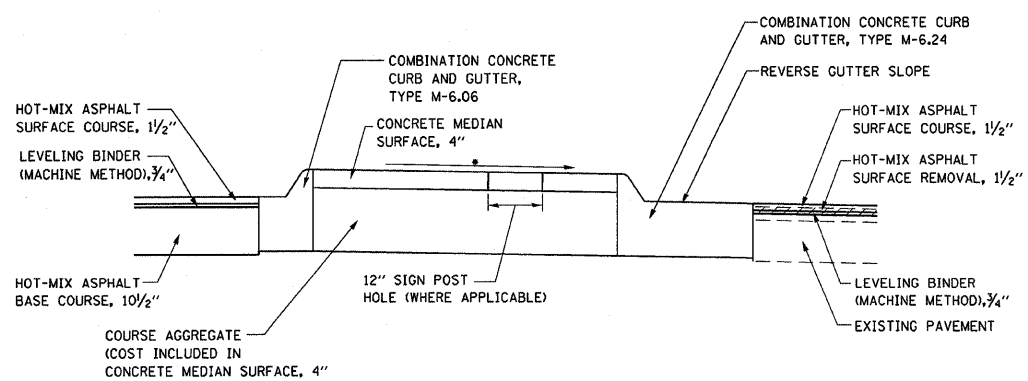
ISLAND DETAIL

NOTE:
ISLAND RADII ARE TO FACE OF CURB



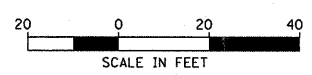
ISLAND DETAIL

NOTE:
ISLAND RADII ARE TO FACE OF CURB



SECTION A-A

NOTE:
A 12" DIAMETER HOLE SHALL BE PROVIDED IN THE ISLAND TO PROVIDE FOR SIGN INSTALLATION.



REVISIONS	
NAME	DATE

ILLINOIS DEPARTMENT OF TRANSPORTATION
ISLAND DETAIL
FAP ROUTE 619 (IL ROUTE 71 /351)
SECTION NO. 70 RS-5 & I
LASALLE COUNTY

SCALE: VERT. _____
HORIZ. _____
DATE _____
DRAWN BY BANDY
CHECKED BY STEUART