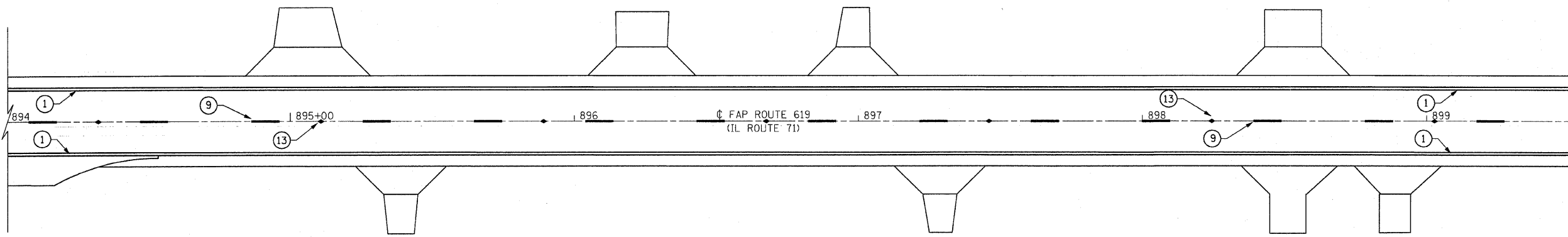
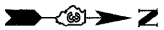
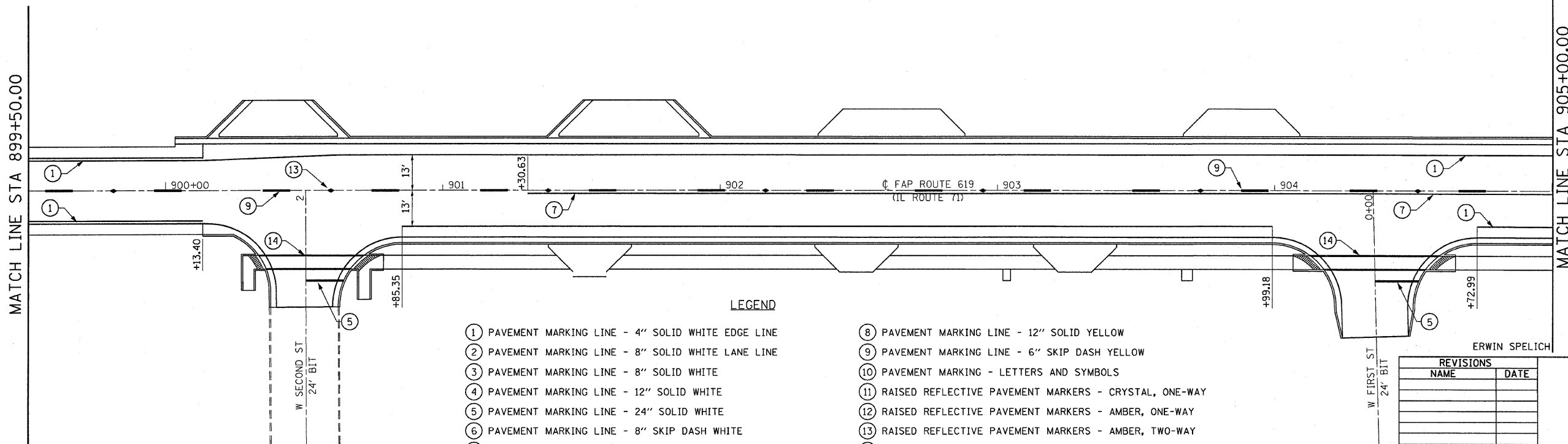
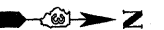
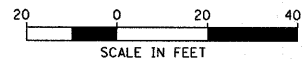


F.A.P. RTE.	SECTION	COUNTY	TOTAL SHEETS	SHEET NO.
619	70 RS-5 & I	LASALLE	2-14	95
STA. 894+00.00		TO STA. 905+00.00		
FED. ROAD DIST. NO. 3 ILLINOIS FED. AID PROJECT				

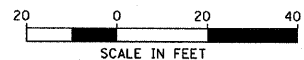


MATCH LINE STA 899+50.00



MATCH LINE STA 899+50.00

MATCH LINE STA 905+00.00



LEGEND

- | | |
|----------------------------------------------------|---------------------------------------------------------|
| ① PAVEMENT MARKING LINE - 4" SOLID WHITE EDGE LINE | ⑧ PAVEMENT MARKING LINE - 12" SOLID YELLOW |
| ② PAVEMENT MARKING LINE - 8" SOLID WHITE LANE LINE | ⑨ PAVEMENT MARKING LINE - 6" SKIP DASH YELLOW |
| ③ PAVEMENT MARKING LINE - 8" SOLID WHITE | ⑩ PAVEMENT MARKING - LETTERS AND SYMBOLS |
| ④ PAVEMENT MARKING LINE - 12" SOLID WHITE | ⑪ RAISED REFLECTIVE PAVEMENT MARKERS - CRYSTAL, ONE-WAY |
| ⑤ PAVEMENT MARKING LINE - 24" SOLID WHITE | ⑫ RAISED REFLECTIVE PAVEMENT MARKERS - AMBER, ONE-WAY |
| ⑥ PAVEMENT MARKING LINE - 8" SKIP DASH WHITE | ⑬ RAISED REFLECTIVE PAVEMENT MARKERS - AMBER, TWO-WAY |
| ⑦ PAVEMENT MARKING LINE - 4" SOLID YELLOW | ⑭ PAVEMENT MARKING LINE - 6" SOLID WHITE |

ERWIN SPELICH

REVISIONS	
NAME	DATE

ILLINOIS DEPARTMENT OF TRANSPORTATION
SIGNING & PAVEMENT MARKING
 FAP ROUTE 619 (IL ROUTE 71 /351)
 SECTION NO. 70 RS-5 & I
 LASALLE COUNTY

SCALE: VERT. _____
 HORIZ. _____
 DATE _____
 DRAWN BY BANDY
 CHECKED BY STEUART