

Bench Mark: Railroad spike in power pole, Sta. 819+73.00, 21.1' Rt., Elev.

Existing Structure: 6'x6' reinforced concrete box culvert will be removed and replaced with a precast double box culvert. Stage Construction will not be utilized during construction.

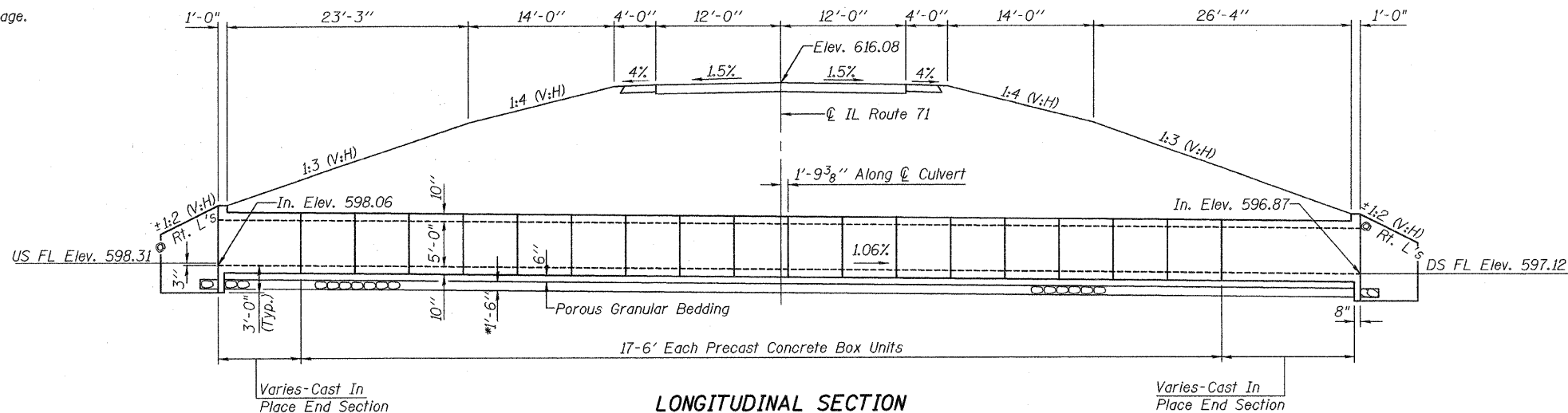
No Salvage.

ROUTE NO.	SECTION	COUNTY	SHEETS	SHEET NO.
FAP 619	"	LA SALLE	214	106
FED. ROAD DIST. NO. 7		ILLINOIS	FED. AID PROJECT	

*70 RS-5 & I Contract No. 66442

GENERAL NOTES

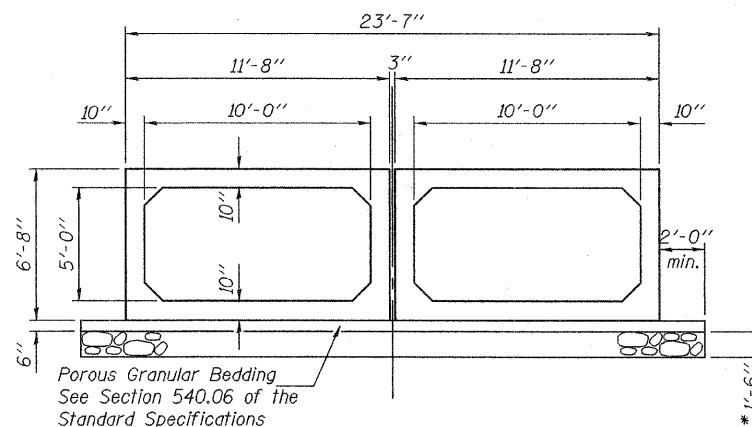
The Precast Concrete Box Culvert Sections shall conform to the requirements of AASHTO M 259. Lifting holes shall be filled with concrete plugs and mastic after box sections are in place.



LONGITUDINAL SECTION

Dimensions at Right L's to CL IL Route 71 except as noted

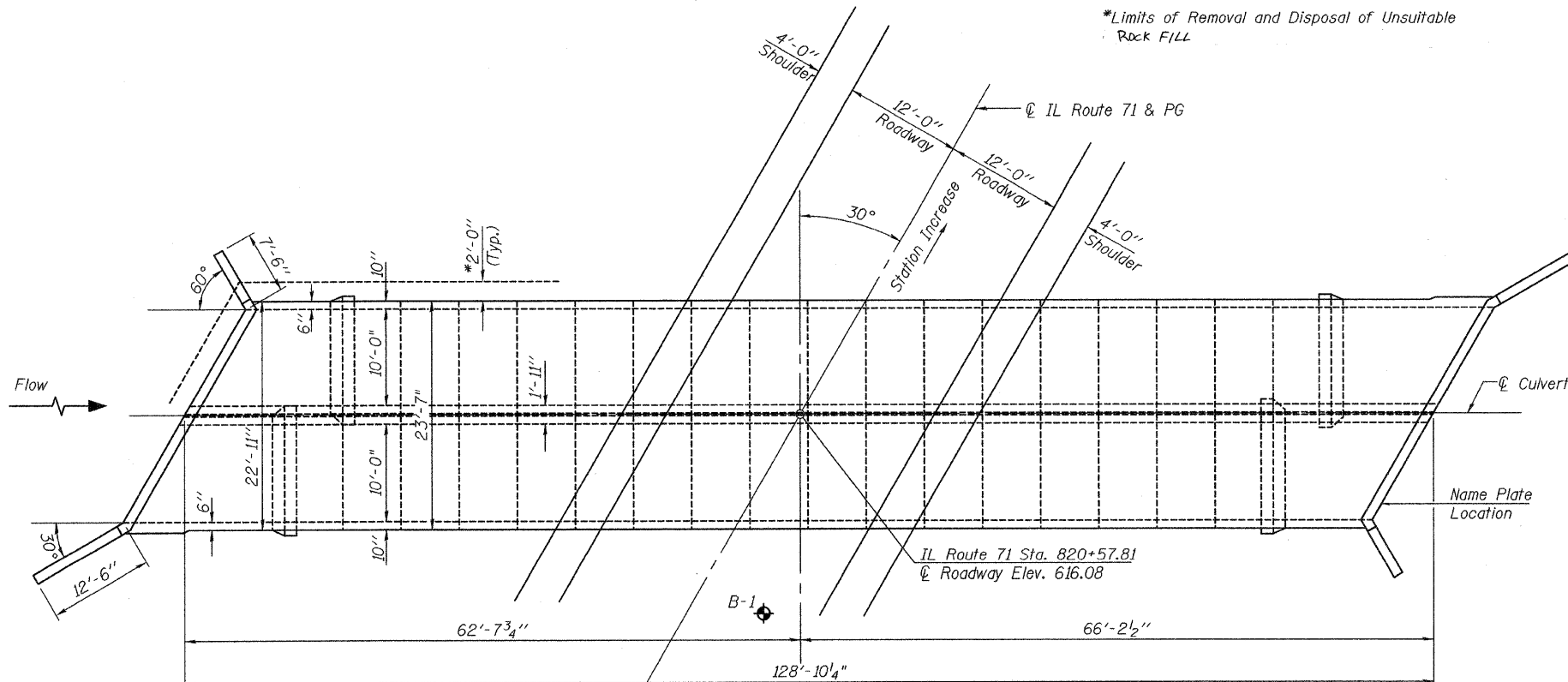
*Limits of Removal and Disposal of Unsuitable Rock FILL



SECTION THRU PRECAST BARREL

BILL OF MATERIAL

ITEM	UNIT	QUANTITY
Removal of Existing Structures	Each	1
Name Plates	Each	1
Concrete Box Culverts	Cu. Yd.	84.9
Precast Concrete Box Culverts 10'x5'	Foot	204
Reinforcement Bars, Epoxy Coated	Pound	12,000
Removal and Disposal of Unsuitable Material	Cu. Yd.	205
Rock FILL	Cu. Yd.	205



PLAN



LOADING HS20-44

Allow 50#/sq. ft. for future wearing surface

DESIGN SPECIFICATIONS

2002 AASHTO

DESIGN STRESSES

FIELD UNITS

$f'_c = 3,500$ psi
 $f_y = 60,000$ psi (reinforcement)

PRECAST UNITS

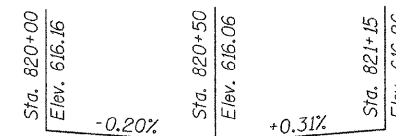
$f'_c = 5,000$ psi
 $f_y = 65,000$ psi (welded wire fabric)

STATION 820+57.81
 BUILT 20__ BY
 STATE OF ILLINOIS
 FAP RTE 619 SEC. 70 RS-5 & I
 F.A. PROJECT
 LOADING HS20
 STR. NO. 050-2045

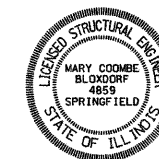
NAME PLATE
 See Std. 515001

WATERWAY INFORMATION

Flood		Freq. Yr.	Q C.F.S.	Opening Sq. Ft.		Nat. H.W.E.	Head - Ft.		Headwater El.	
			Exist.	Prop.		Exist.	Prop.	Exist.	Prop.	
Low	10	413	36	78.3	602.63	5.61	--	608.24	602.57	
Design	50	635	36	90	603.25	11.22	0.70	614.47	603.95	
Base	100	728	36	90	603.49	12.70	0.99	616.19*	604.48	
Overtopping										
Max. Calc.	500	949	36	90	603.98	9.79	1.87	613.77	605.85	



PROFILE GRADE
 (Along CL Roadway)



ILLINOIS STRUCTURAL NO. 4859
 EXPIRES: 11/30/08
 DATE: 4/27/07

ILLINOIS DEPARTMENT OF TRANSPORTATION

SHEET TITLE		GENERAL PLAN & ELEVATION	
PROJECT	FAP ROUTE 619 (IL. ROUTE 71)	SCALE	05046
	SECTION 70 RS-5 & I	DATE	04/27/07
	LA SALLE COUNTY	DRAWN BY	TFG
	STATION 820+57.81	CHECKED BY	BD/KPS/MCB
	STRUCTURE NUMBER 050-2045	DRAWING NO.	
COOMBE-BLOXDORF P.C.		1	
Engineers / Land Surveyors		OF 4 SHTS.	
Springfield, Illinois			
Design Firm License No. 184-002703			

PLOT DATE = 04/27/2007
 FILE NAME = i:\p050\road\sheet-1-gen.dgn
 USER NAME = TFG