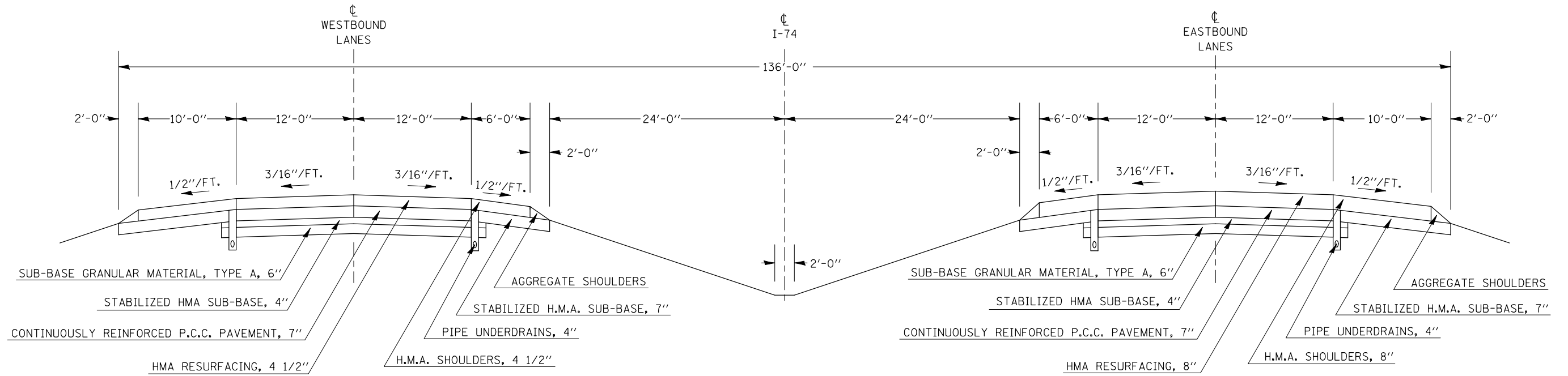


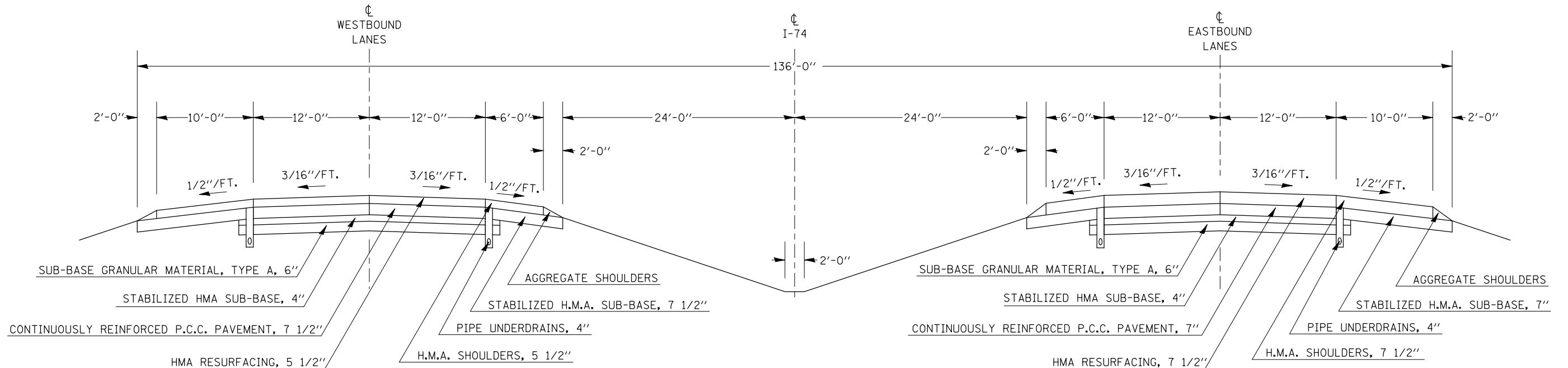
EXISTING TYPICAL CROSS SECTION ③

② STATION TO STATION ④
772+00.00 779+38.47



EXISTING TYPICAL CROSS SECTION ④

③ STATION TO STATION ⑤ (OMISSION SN 057-0121 WB & SN 057-0120 EB)
779+38.47 781+58.39 781+58.39 782+93.91



FILE NAME =	USER NAME = hoganbj	DESIGNED -	REVISED -
ct:\pw\work\p\dot\hoganbj\d0158340\0570120\50-sh-typical.dgn		DRAWN -	REVISED -
PLOT SCALE = 100.0000' / IN.		CHECKED -	REVISED -
PLOT DATE = 10/21/2010		DATE -	REVISED -

**STATE OF ILLINOIS
DEPARTMENT OF TRANSPORTATION**

EXISTING TYPICAL SECTIONS

SCALE: SHEET NO. OF SHEETS STA. TO STA.

F.A.I. RTE.	SECTION	COUNTY	TOTAL SHEETS	SHEET NO.
74	(57-20(1),21,22)RS-3	MCLEAN	150	15
CONTRACT NO. 70550				
ILLINOIS FED. AID PROJECT				