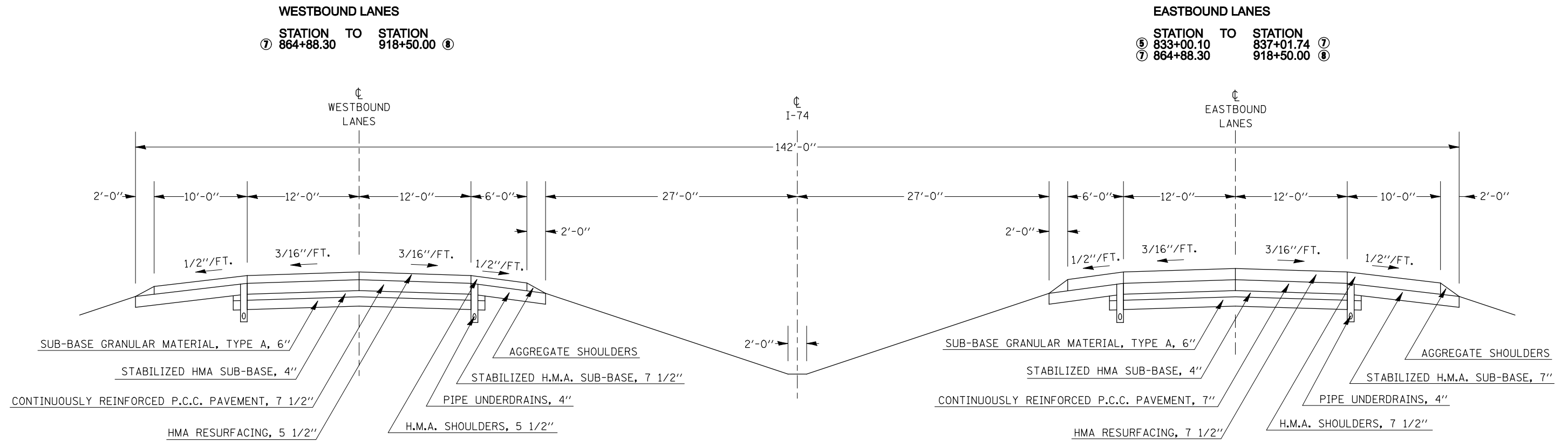
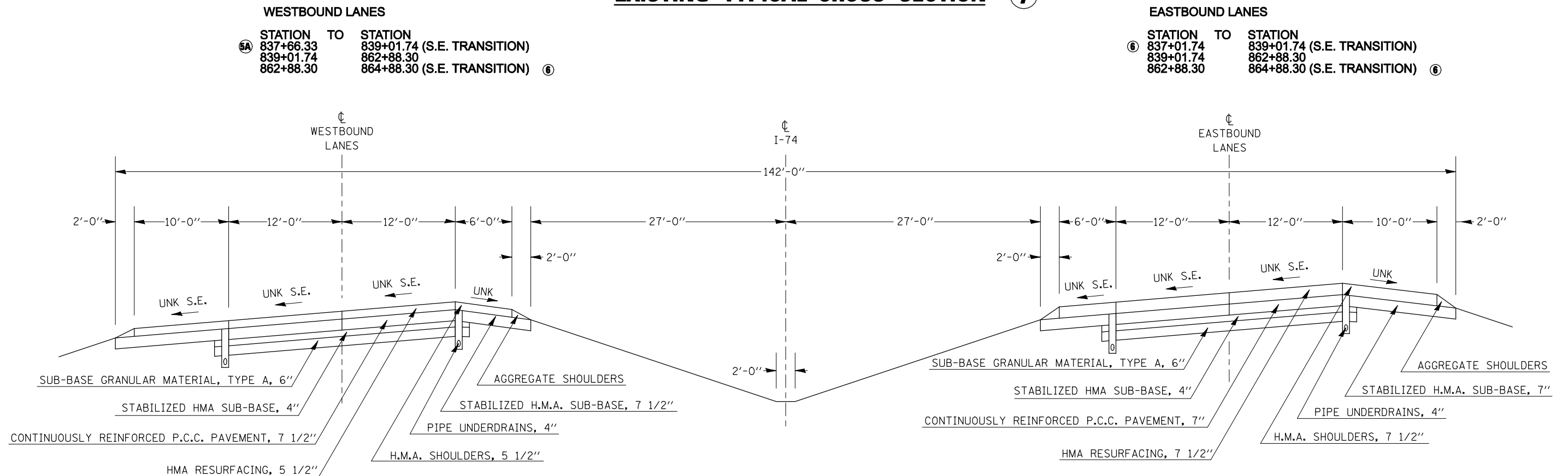


## EXISTING TYPICAL CROSS SECTION ⑥



## EXISTING TYPICAL CROSS SECTION ⑦



FILE NAME =	USER NAME = hoganbj	DESIGNED -	REVISED -	<b>STATE OF ILLINOIS DEPARTMENT OF TRANSPORTATION</b>	<b>EXISTING TYPICAL SECTIONS</b>			F.A.I. RTE.	SECTION	COUNTY	TOTAL SHEETS	SHEET NO.
ce:\pw\work\p1dot\hoganbj\d0158340\0570650-sh1-typ1cal.dgn		DRAWN -	REVISED -		74	(57-20(1),21,22)RS-3	MCLEAN	150	17			
PLOT SCALE = 100.0000' / IN.		CHECKED -	REVISED -		SCALE: SHEET NO. OF SHEETS STA. TO STA.			CONTRACT NO. 70550				
PLOT DATE = 10/21/2010		DATE -	REVISED -		ILLINOIS FED. AID PROJECT							