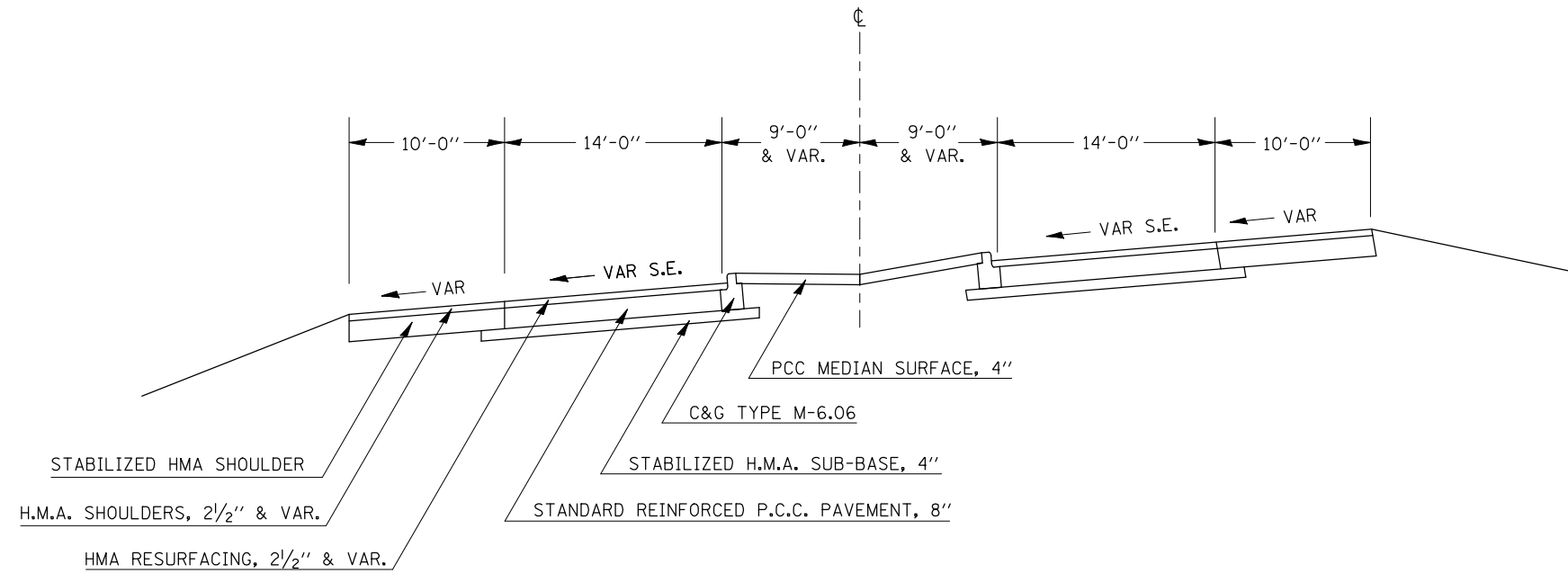


EXISTING TYPICAL CROSS SECTION 14

C.H. 36 - SUPERELEVATED
 STA. 34+83.43 - STA. 42+04.24

TRANSITION FROM NORMAL SECTION 14 AT STA. 42+04.24 TO SEC 13 AT STA. 43+84.24



FILE NAME =	USER NAME = hoganbj	DESIGNED -	REVISED - BJH 8/10/2010
ct:\pw\work\p\dot\hoganbj\d0158340\0570550-shr-typ10a1.dgn		DRAWN -	REVISED -
		CHECKED -	REVISED -
		DATE -	REVISED -

**STATE OF ILLINOIS
 DEPARTMENT OF TRANSPORTATION**

EXISTING TYPICAL SECTIONS

SCALE: SHEET NO. OF SHEETS STA. TO STA.

F.A.I. RTE.	SECTION	COUNTY	TOTAL SHEETS	SHEET NO.
74	(57-20(1),21,22)RS-3	MCLEAN	150	21
CONTRACT NO. 70550				
ILLINOIS FED. AID PROJECT				