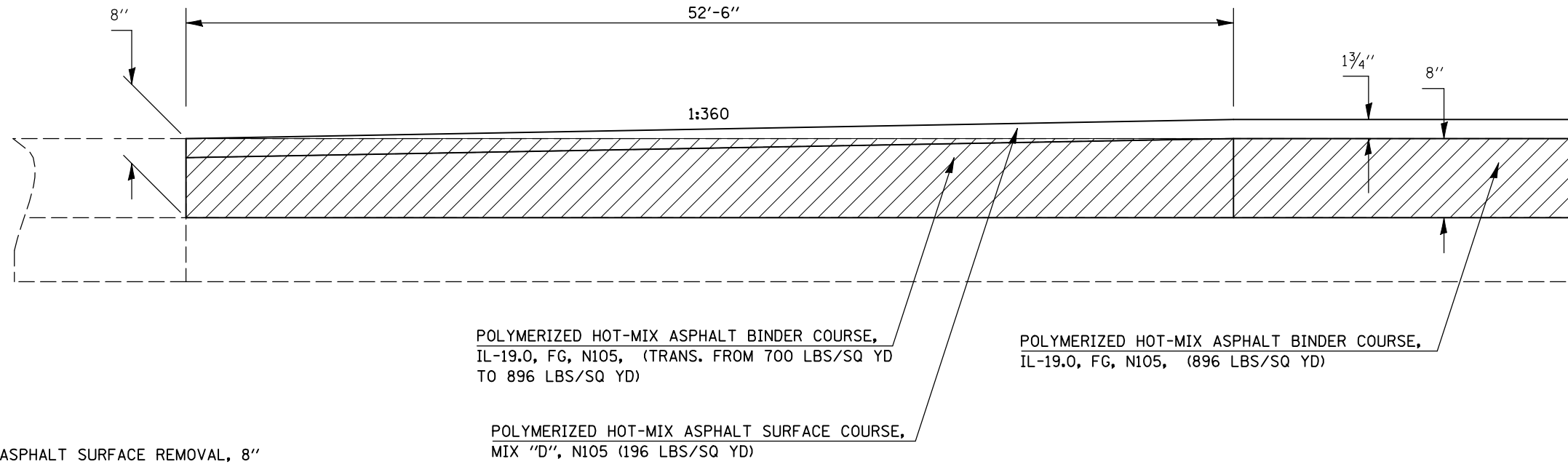


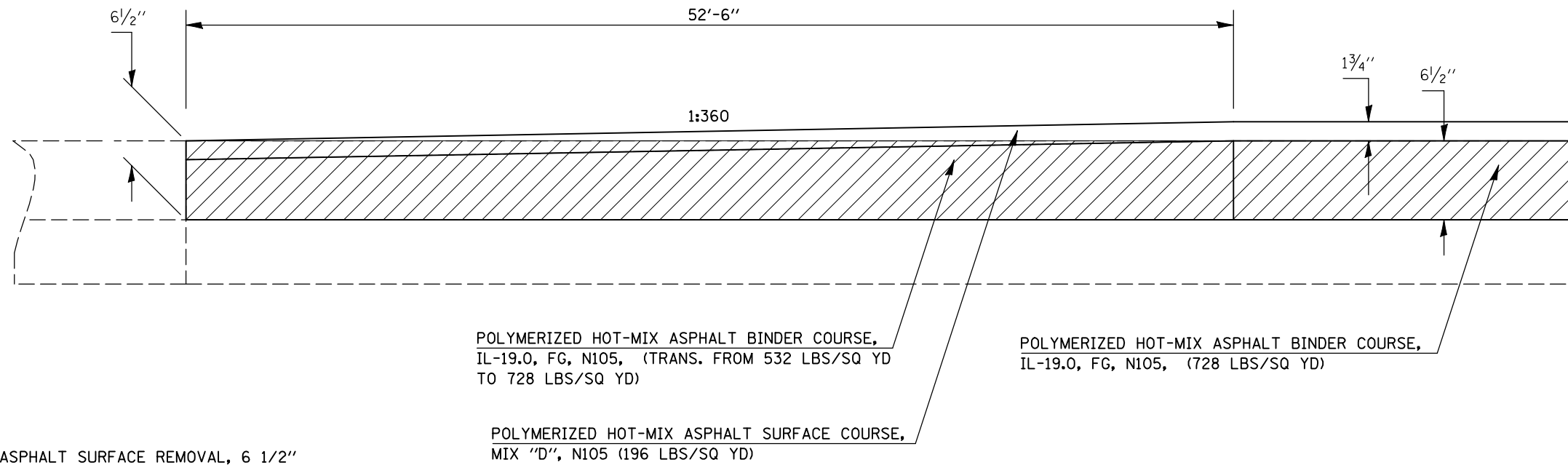
DETAIL FOR I-74 MILLING AND PAVING TRANSITIONS AT 8" MILLING LOCATIONS

	STATION	TO	STATION	
I-74 EBDL	737+00.00		737+52.50	BEGINNING OF I-74 PROJECT
I-74 EBDL	778+85.97		779+38.47	APPROACH S.N. 057-0120



DETAIL FOR I-74 MILLING AND PAVING TRANSITIONS AT 6 1/2" MILLING LOCATIONS

	STATION	TO	STATION	
I-74 EBDL	1040+25.25		1040+77.75	DEPARTURE S.N. 057-0125
I-74 EBDL	1110+47.50		1111+00.00	END OF I-74 PROJECT



SHEET 4 OF 10

FILE NAME =	USER NAME = hoganbj	DESIGNED - BJH	REVISED -	STATE OF ILLINOIS DEPARTMENT OF TRANSPORTATION	MILLING AND PAVING TRANSITION DETAILS	F.A.I. RTE. =	SECTION	COUNTY	TOTAL SHEETS	SHEET NO.	
	ct:\pwork\pwork\hoganbj\d0158340\0570125\50-sht-details.dgn	DRAWN - BJH 8/30/2010	REVISED -			74	(57-20(1),21,22)RS-3	McLean	150	79	
	PLOT SCALE = 40.0000' / IN.	CHECKED -	REVISED -			SCALE: SHEET NO. 4 OF 10 SHEETS STA. TO STA.		CONTRACT NO. 70550			
	PLOT DATE = 10/21/2010	DATE -	REVISED -			ILLINOIS FED. AID PROJECT					