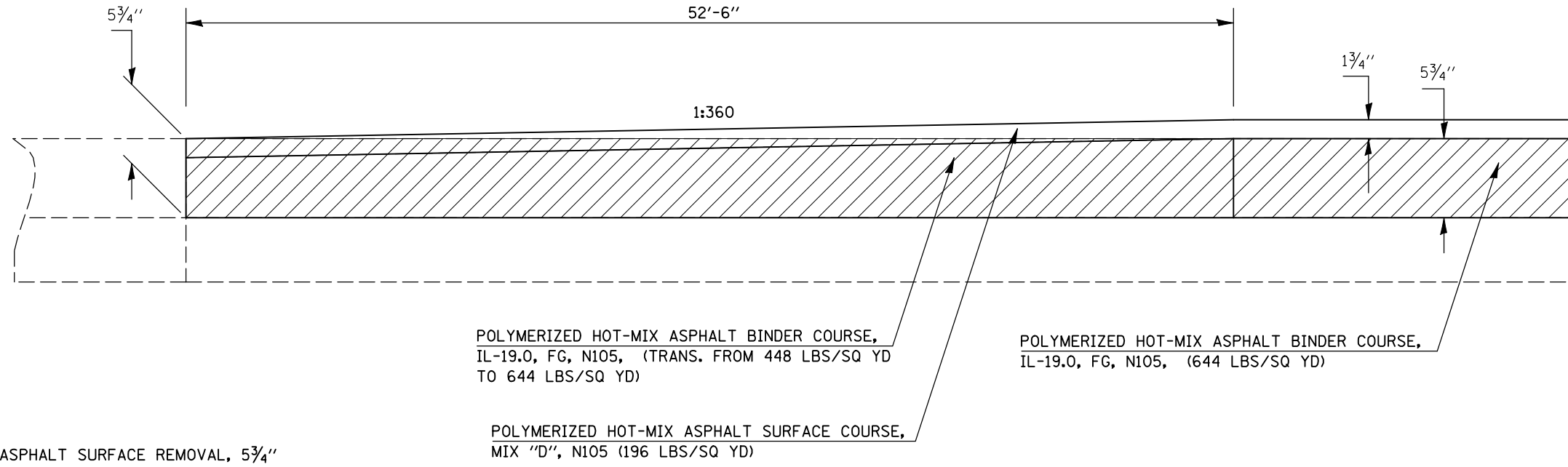


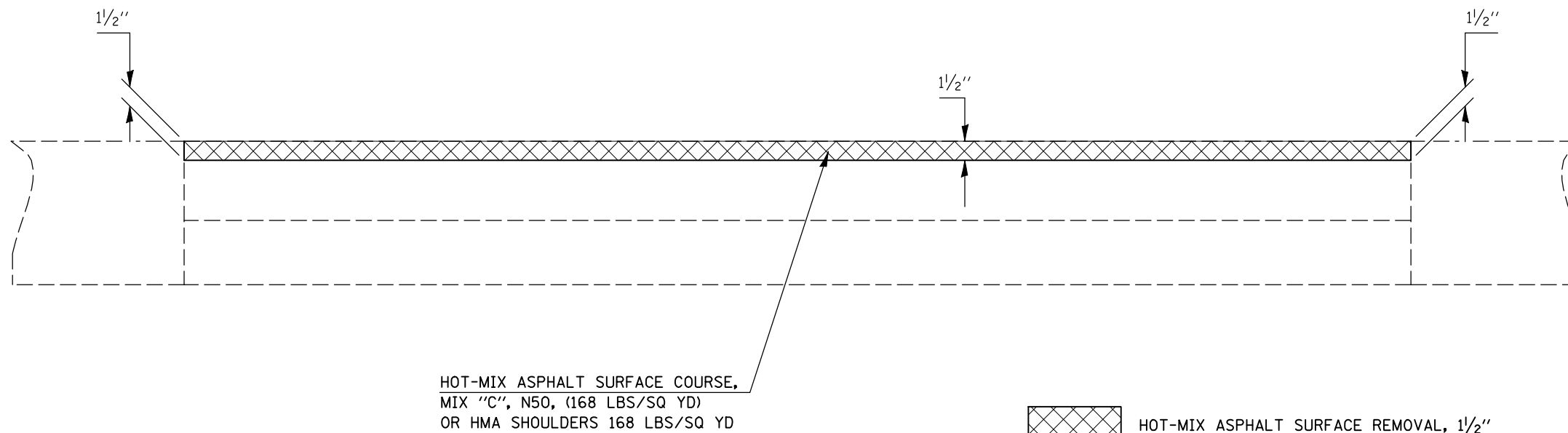
DETAIL FOR DOWNS INTERCHANGE MILLING AND PAVING TRANSITIONS AT 5 3/4" MILLING LOCATIONS

	STATION	TO	STATION	
RAMP BD (I-74 EB ON RAMP)	10+24.00		10+76.50	BEGINNING OF RAMP AT C.H. 36
RAMP AC (I-74 WB ON RAMP)	10+24.00		10+76.50	BEGINNING OF RAMP AT C.H. 36



DETAIL FOR C.H. 36 MILLING AND PAVING AT INLAY LOCATIONS (1 1/2" MILL AND FILL)

	STATION	TO	STATION
C.H. 36	16+92.44		69+50.00



SHEET 10 OF 10

FILE NAME =	USER NAME = hoganbj	DESIGNED - BJH	REVISED -	STATE OF ILLINOIS DEPARTMENT OF TRANSPORTATION	MILLING AND PAVING TRANSITION DETAILS	F.A.I. RTE. =	SECTION	COUNTY	TOTAL SHEETS	SHEET NO.	
	ct:\pw\work\pwwork\hoganbj\d0158340\0570650-sht-details.dgn	DRAWN - BJH 8/31/2010	REVISED -			74	(57-20(1),21,22)RS-3	McLean	150	85	
	PLOT SCALE = 40.0000' / IN.	CHECKED -	REVISED -			CONTRACT NO. 70550		ILLINOIS FED. AID PROJECT			
	PLOT DATE = 10/21/2010	DATE -	REVISED -			SCALE:	SHEET NO. 10 OF 10 SHEETS	STA.	TO STA.		