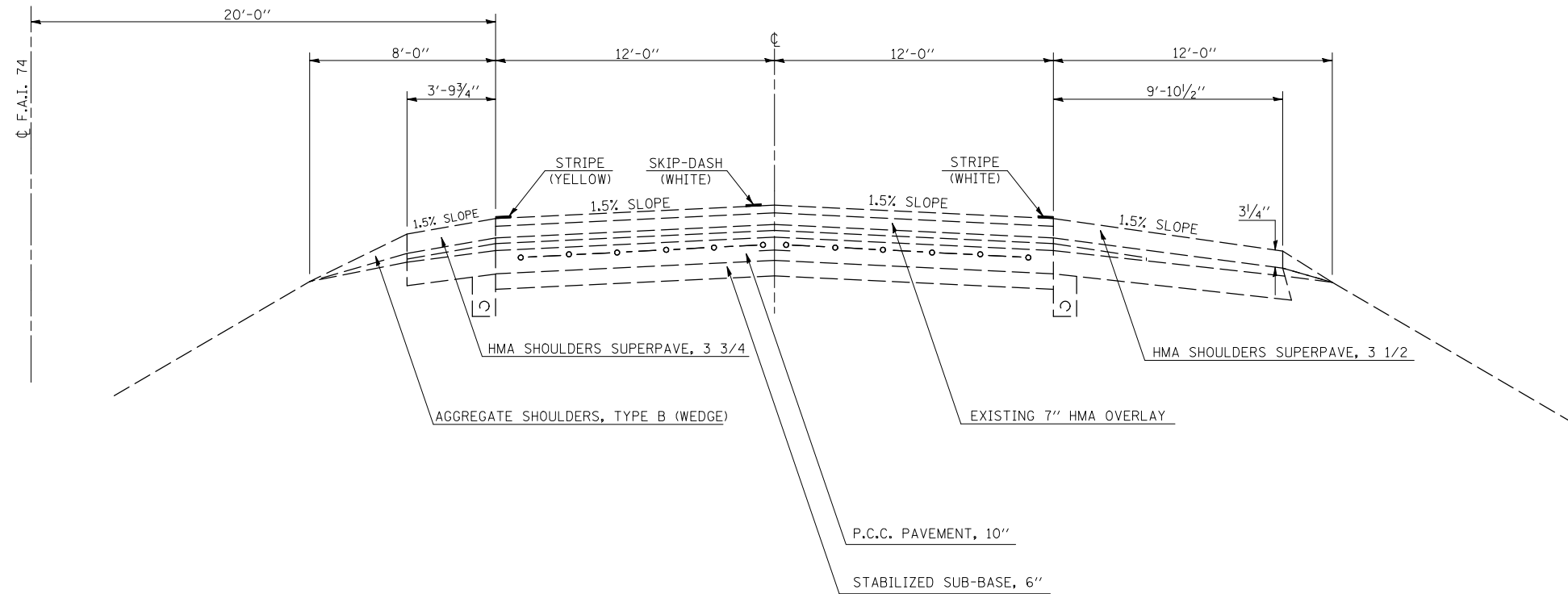


EXISTING TYPICAL SECTION

FAI 74

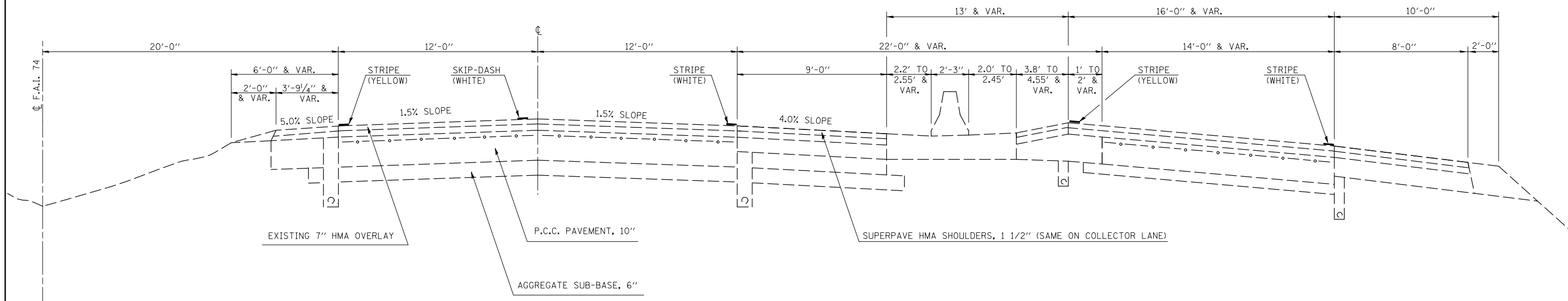
STATION 1720+00.00 TO STATION 1908+00.00



EXISTING TYPICAL SECTION WITH COLLECTOR LANE

FAI 74

STATION 1908+00.00 TO STATION 1951+50.00



FILE NAME =	USER NAME = craigre	DESIGNED -	REVISED -
ct:\pw\work\p\dot\craigre\d0239888\0570876-sht-typical.dgn	76-sht-typical.dgn	DRAWN -	REVISED -
PLOT SCALE = 40.0000 ' / IN.		CHECKED -	REVISED -
PLOT DATE = 10/20/2010		DATE -	REVISED -

STATE OF ILLINOIS
DEPARTMENT OF TRANSPORTATION

EXISTING TYPICAL SECTION

SCALE: N/A SHEET NO. 3 OF 3 SHEETS STA. N/A TO STA. N/A

F.A.I. RTE.	SECTION	COUNTY	TOTAL SHEETS	SHEET NO.
74	CM PATCHING 2011-1	VERMILION	10	8
CONTRACT NO. 70876				
ILLINOIS FED. AID PROJECT				