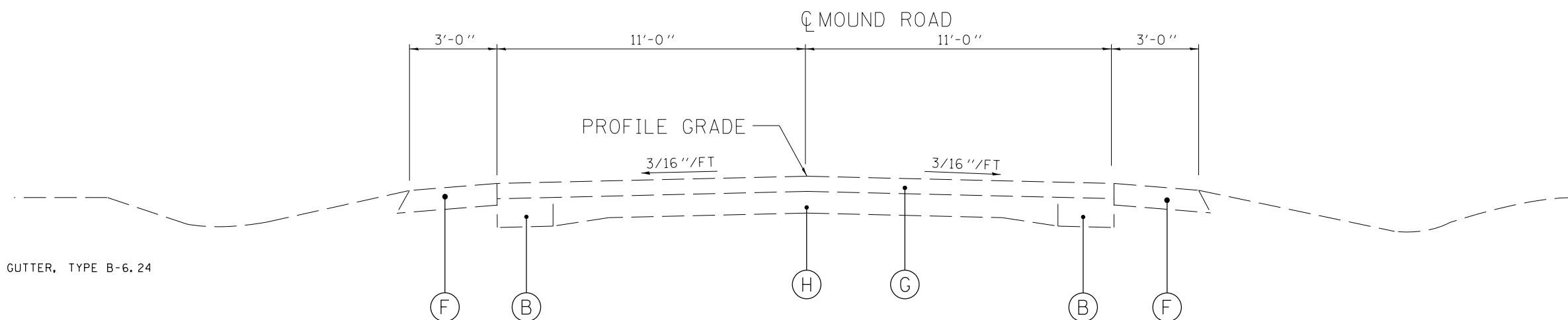


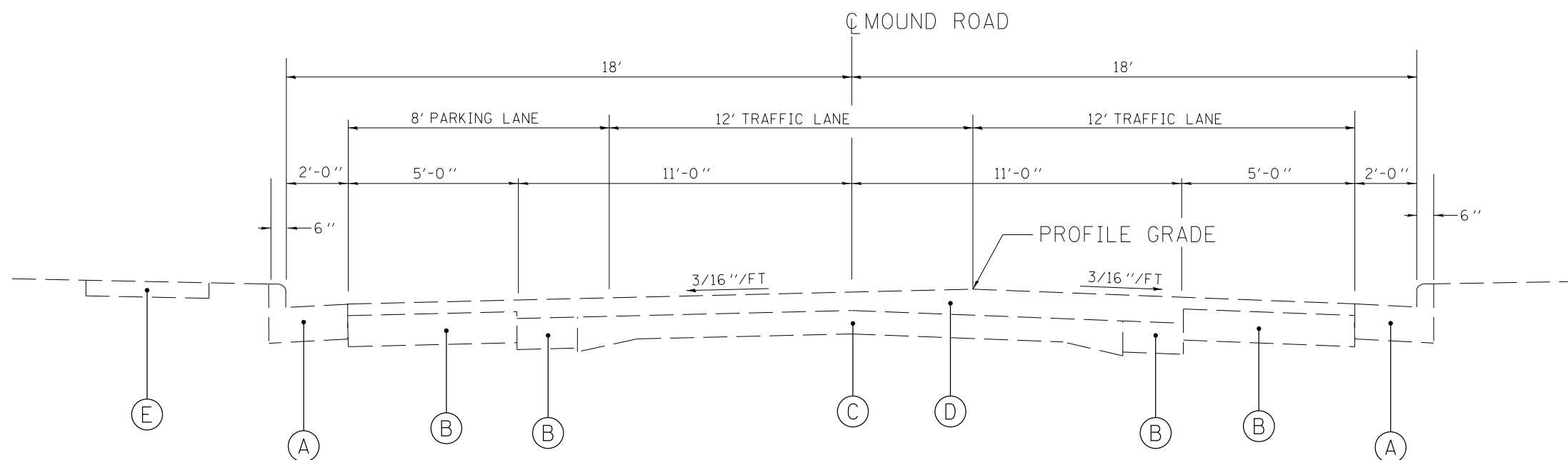
F.A.U. RTE.	SECTION	COUNTY	TOTAL SHEETS	SHEET NO.
8173	(69-HB)BR	MORGAN	63	15
FED. ROAD DIST. NO.	ILLINOIS	FED. AID PROJECT		

**CONTRACT NO. 72837**



**EXISTING TYPICAL SECTION**  
 STA 95+00.00 TO STA 98+90.00  
 BRIDGE/APPROACH OMISSION STA 98+90.00 TO STA 101+05.00

- LEGEND**
- (A) EXISTING COMBINATION CONCRETE CURB & GUTTER, TYPE B-6.24
  - (B) EXISTING BASE COURSE WIDENING 8"
  - (C) EXISTING PCC PAVEMENT 9-6-9
  - (D) EXISTING HMA OVERLAY, VARIABLE THICKNESS
  - (E) EXISTING PCC SIDEWALK, 4"
  - (F) EXISTING AGGREGATE SHOULDER, TYPE B
  - (G) EXISTING HMA OVERLAY 5-1/4"
  - (H) EXISTING PCC PAVEMENT 8-6-8



**EXISTING TYPICAL SECTION**  
 STA 101+05.00 TO STA 103+00.00

NOTE: NOT TO SCALE

REVISIONS	
NAME	DATE

ILLINOIS DEPARTMENT OF TRANSPORTATION

EXISTING TYPICAL SECTIONS

DRAWN BY JCW  
 CHECKED BY JRB  
 DATE 12/21/07