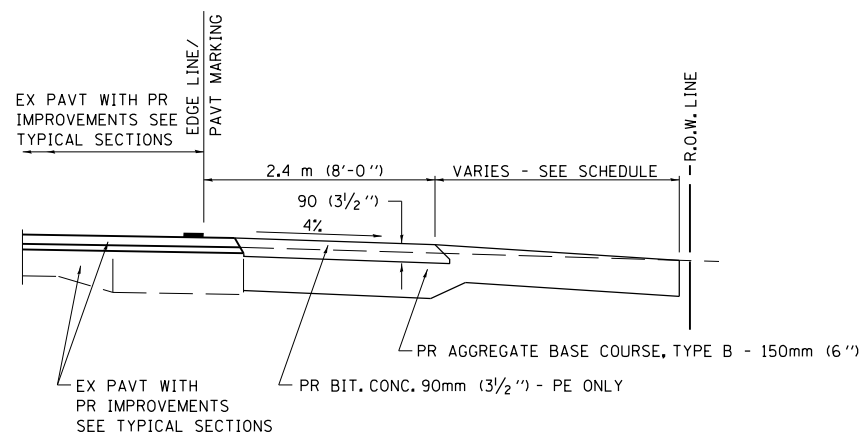
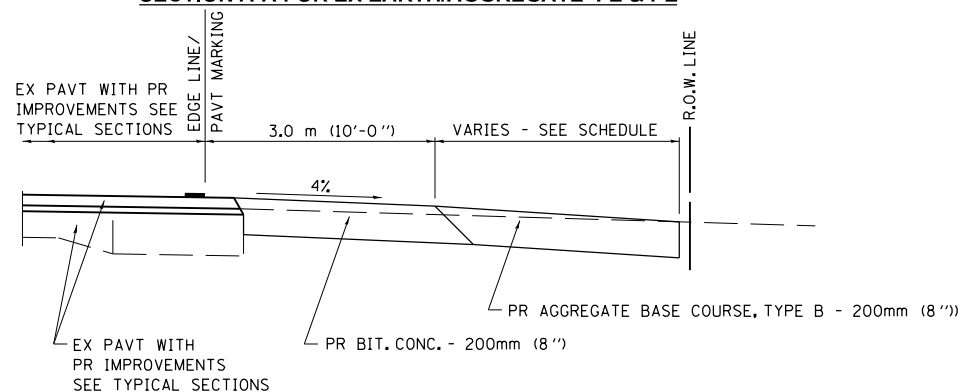


F.A. - RTE.	SECTION	COUNTY	TOTAL SHEETS	SHEET NO.
8173	(69-HB)BR	MORGAN	63	57
STA.		TO STA.		
FED. ROAD DIST. NO.	ILLINOIS	FED. AID PROJECT		

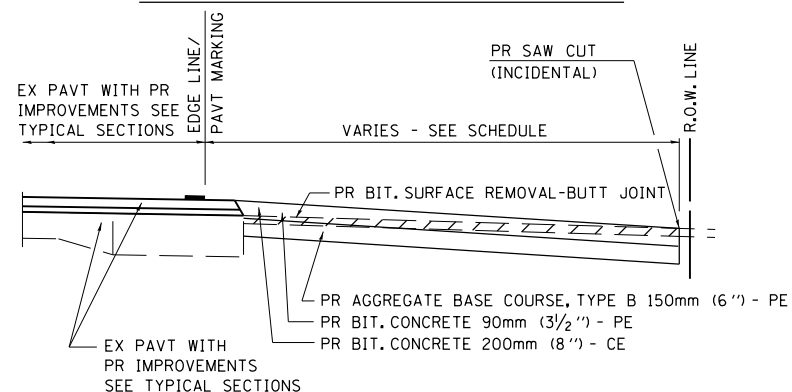
CONTRACT NO. 72837



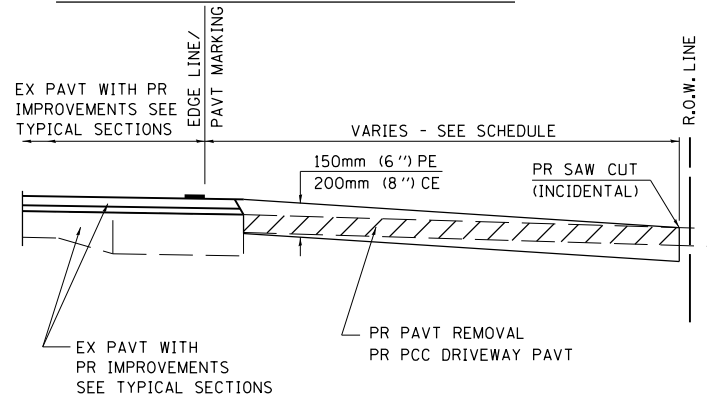
SECTION A-A FOR EX EARTH/AGGREGATE FE & PE



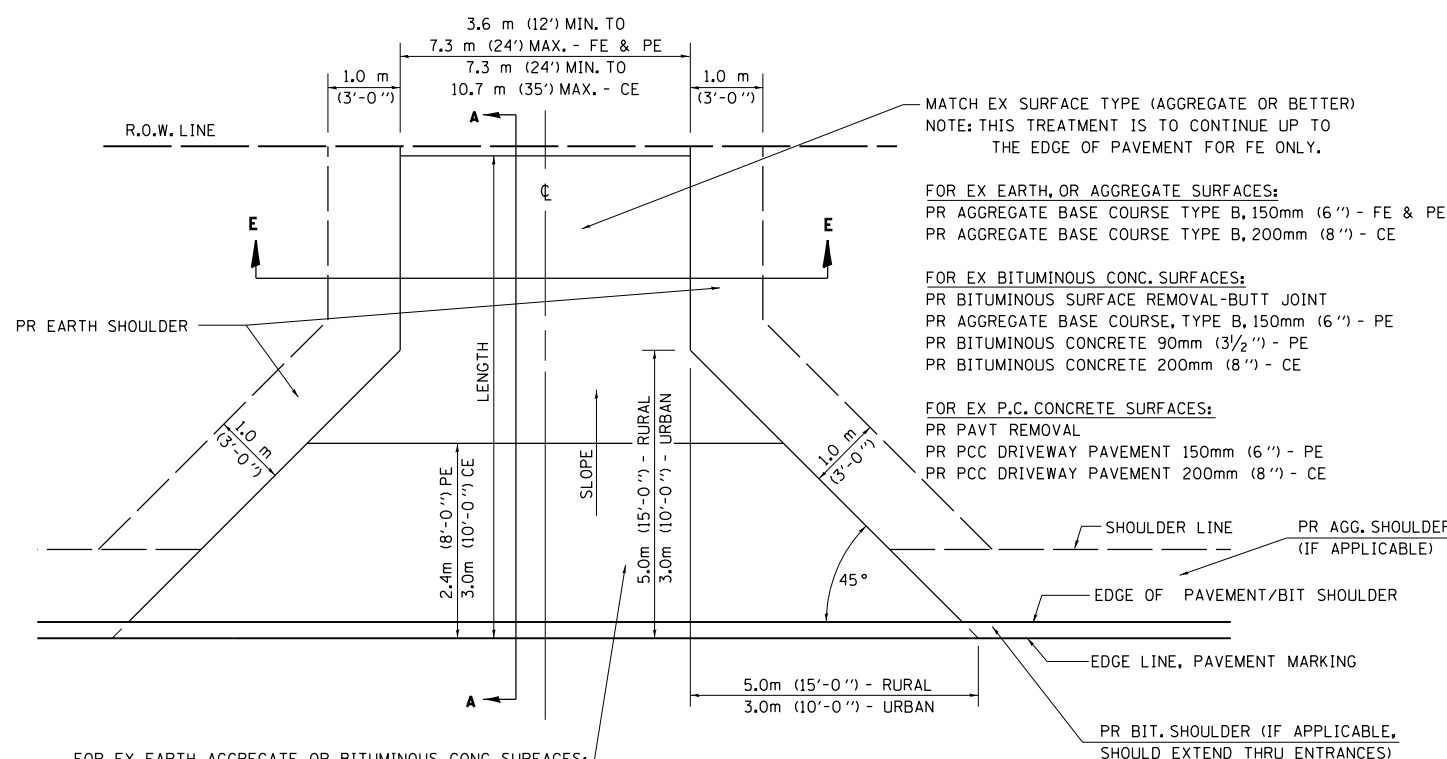
SECTION A-A FOR EX EARTH/AGGREGATE CE



SECTION A-A FOR EX BITUMINOUS PE & CE



SECTION A-A FOR EX P.C. CONC. PE & CE



FOR EX EARTH, AGGREGATE, OR BITUMINOUS CONC SURFACES:
 PR BIT SURFACE REMOVAL-BUTT JOINT (IF APPLICABLE)
 PR AGGREGATE BASE COURSE TYPE B 150mm (6'') - FE
 PR AGGREGATE BASE COURSE TYPE B, 150mm (6'') &
 PR BITUMINOUS CONCRETE 90mm (3 1/2'') - PE
 PR BITUMINOUS CONCRETE 200mm (8'') - CE

FOR P.C. CONCRETE SURFACES:
 PR PAVT REMOVAL
 PR PCC DRIVEWAY PAVT 150mm (6'') - PE
 PR PCC DRIVEWAY PAVT 200mm (8'') - CE

GENERAL NOTES:

THE RESIDENT ENGINEER WILL DETERMINE THE EXACT TYPE OF IMPROVEMENT TO BE COMPLETED FOR ALL ENTRANCES, SIDEROADS AND MAILBOX TURNOUTS ON THIS PROJECT.

THE PLAN DETAILS AND SCHEDULES SHOULD BE USED AS A GUIDE FOR THE ENGINEER TO IMPLEMENT THE FINAL DESIGN. THE ENGINEER MAY DECIDE TO SALVAGE PORTIONS OF THE EXISTING ENTRANCE PAVEMENT STRUCTURE; THEREFORE, REDUCING PAY ITEM QUANTITIES. NO ADDITIONAL PAYMENT WILL BE ALLOWED FOR THIS REDUCTION IN QUANTITIES.

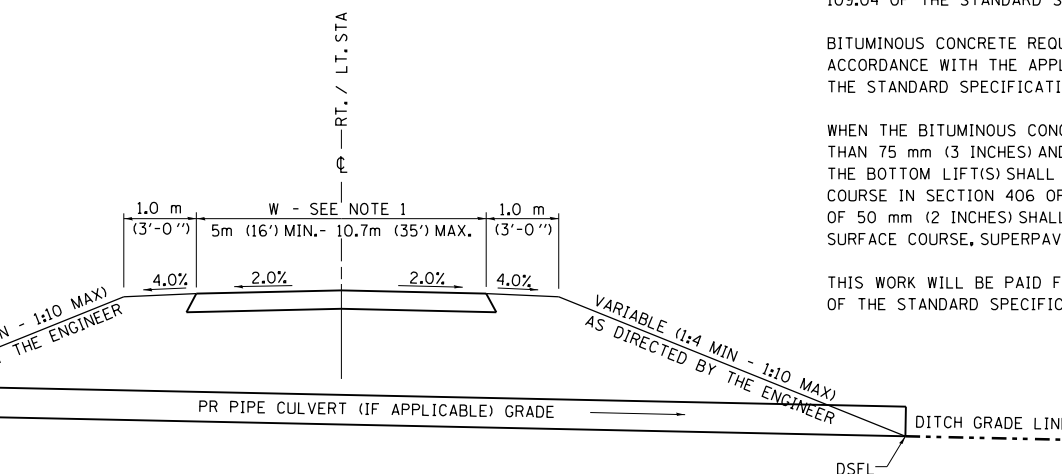
ANY WORK THE ENGINEER REQUIRES WHICH IS NOT COVERED BY A PAY ITEM CONTAINED IN THE PLANS WILL BE PAID FOR IN ACCORDANCE WITH ARTICLE 109.04 OF THE STANDARD SPECIFICATIONS.

BITUMINOUS CONCRETE REQUIRED TO CONSTRUCT THE ENTRANCES SHALL BE IN ACCORDANCE WITH THE APPLICABLE PORTIONS OF SECTION 406 AND 408 OF THE STANDARD SPECIFICATIONS AND AS DIRECTED BY THE ENGINEER.

WHEN THE BITUMINOUS CONCRETE PROPOSED FOR THE IMPROVEMENT IS THICKER THAN 75 mm (3 INCHES) AND REQUIRE PLACEMENT IN MORE THAN ONE LIFT. THE BOTTOM LIFT(S) SHALL MEET THE REQUIREMENTS OF BITUMINOUS BASE COURSE IN SECTION 406 OF THE STANDARD SPECIFICATIONS AND THE TOP LIFT OF 50 mm (2 INCHES) SHALL MEET THE REQUIREMENTS OF BITUMINOUS CONCRETE SURFACE COURSE, SUPERPAVE.

THIS WORK WILL BE PAID FOR IN ACCORDANCE WITH SECTIONS 351, 358, 408, 423 AND 440 OF THE STANDARD SPECIFICATIONS.

ALL DIMENSIONS ARE IN MILLIMETERS (INCHES) UNLESS OTHERWISE SHOWN.



SECTION E - E ENTRANCE TYPICAL SECTION

NOTE 1: WIDTH OF ENTRANCE MAY BE INCREASED AT THE PIPE CULVERT DUE TO THE DITCHLINE BEING LOCATED IN THE ENTRANCE FLARE AREA.

REVISIONS	
NAME	DATE

ILLINOIS DEPARTMENT OF TRANSPORTATION
DISTRICT SIX
DETAILS FOR RURAL / URBAN
ENTRANCE & MAILBOX TURNOUT
W / O CONCRETE GUTTER
(3R - PROJECTS)

DRAWN BY JCW
 CHECKED BY JRB
 DATE 10/20/10