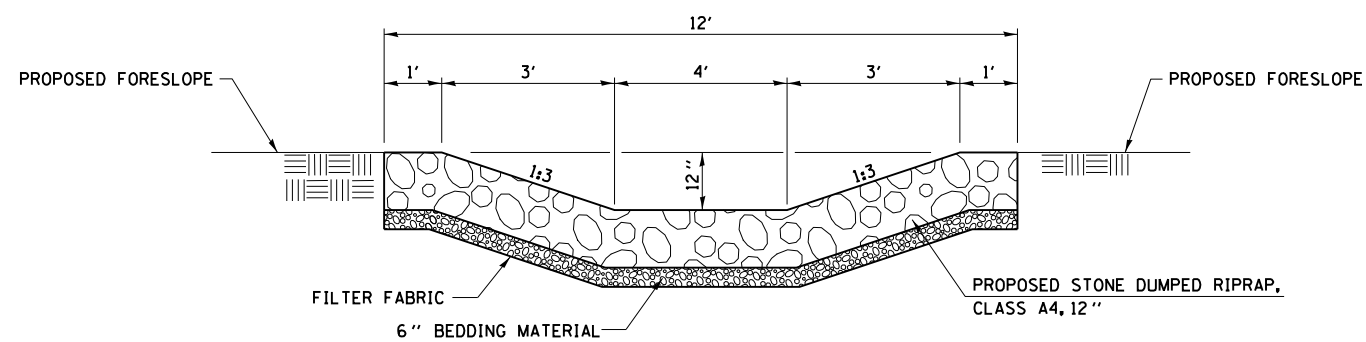


BRIDGE APPROACH SHOULDER PAVEMENT DRAIN DETAIL



SECTION A-A

FILE NAME =	USER NAME = laughlir1	DESIGNED -	REVISED -
et:\pw\work\p\id\laughlir1\0230976\8077DET_04.SHT		DRAWN -	REVISED -
	PLOT SCALE = 20.0000' / in.	CHECKED -	REVISED -
	PLOT DATE = Aug-11-2010 10:38:33AM	DATE -	REVISED -

**STATE OF ILLINOIS
DEPARTMENT OF TRANSPORTATION**

BRIDGE APPROACH SHOULDER PAVEMENT DRAIN DETAIL

SCALE: SHEET NO. OF SHEETS STA. TO STA.

F.A.P. RTE.	SECTION	COUNTY	TOTAL SHEETS	SHEET NO.
506	123 B-1	HANCOCK	70	22
CONTRACT NO. 72992				
FED. ROAD DIST. NO. ILLINOIS FED. AID PROJECT				